



L2 Switch  
Commutateur Réseau L2  
Switch L2  
Коммутатор Второго Уровня  
二层交换机  
L2스위치

# SWX2320-16MT

# SWX2322P-16MT

Read This First  
Folgendes zuerst lesen  
À lire en premier  
Leer primero este documento  
Leia Isto Primeiro  
Leggere prima dell'uso  
Прочитайте в первую очередь  
请首先阅读  
使用須知  
먼저 읽어 주십시오

English

Deutsch

Français

Español

Português

Italiano

Русский

简体中文

繁體中文

한국어

EN

DE

FR

ES

PT

IT

RU

ZH-CN

ZH-TW

KO

## FCC INFORMATION (U.S.A.)

1. **IMPORTANT NOTICE: DO NOT MODIFY THIS UNIT!**

This product, when installed as indicated in the instructions contained in this manual, meets FCC requirements. Modifications not expressly approved by Yamaha may void your authority, granted by the FCC, to use the product.

2. **IMPORTANT:** When connecting this product to accessories and/ or another product use only high quality shielded cables. Cable/s supplied with this product **MUST** be used. Follow all installation instructions. Failure to follow instructions could void your FCC authorization to use this product in the USA.

3. **NOTE:** This equipment has been tested and found to comply with the limits for a Class A digital device, pursuant to Part 15 of the FCC rules. These limits are designed to provide reasonable protection against harmful interference when the equipment is operated in a commercial environment. This equipment generates, uses and can radiate radio frequency energy and, if not installed and used in accordance with the instruction manual, may cause harmful interference to radio communications. Operation of this equipment in a residential area is likely to cause harmful interference in which case the user will be required to correct the interference at his own expense.

(529-M03 FCC class A 01)

### COMPLIANCE INFORMATION STATEMENT (Supplier's declaration of conformity procedure)

Responsible Party : Yamaha Corporation of America

Address : 6600 Orangethorpe Avenue, Buena Park, CA. 90620, U.S.A.

Telephone : 714-522-9011

Type of Equipment : L2 SWITCH

Model Name : SWX2320-16MT, SWX2322P-16MT

This device complies with Part 15 of the FCC Rules.

Operation is subject to the following two conditions:

- 1) this device may not cause harmful interference, and
- 2) this device must accept any interference received including interference that may cause undesired operation.

(529-M02 FCC sdoc YCA 02)

- Suitable for installation in Information Technology Rooms in accordance with Article 645 of the National Electrical Code and NFPA 75.
- The device can only be used in a fixed location such as a telecommunication centre, a dedicated computer room. When you install the device, ensure that the protective earthing connection of the socket-outlet is verified by a skilled person.

- Peut être installé dans des salles de matériel de traitement de l'information conformément à l'article 645 du National Electrical Code et à la NFPA 75.
- L'appareil peut uniquement être utilisé dans un emplacement fixe, tel qu'un centre de télécommunications ou une salle informatique dédiée. Quand vous installez l'appareil, veillez à ce que la mise à la terre correcte soit vérifiée par une personne qualifiée.

# PRECAUTIONS

Please read these precautions carefully before proceeding.

## Be sure to follow the instructions

Please carefully read and observe the following precautions to avoid injury or damage to your assets.

After reading this document thoroughly, please retain it in a location that anyone using the product can access at any time.

- Contact the following customer center for a check-up or repair.
  - The store you purchased the product
  - Yamaha dealer
- This product is intended for use as general office equipment. Do not use it in any fields requiring a high degree of reliability in relation to human lives.
- Please note that Yamaha cannot accept any liability for any losses resulting from improper use or unauthorized modification of the product.



## WARNING

**These precautions alert you to the possibility of death or serious injury to you or others.**

### If you notice any abnormality

- If any of the following abnormalities occur, immediately shut down the power.
    - The power cord or plug becomes damaged.
    - Unusual smells, noise or smoke are emitted from the product.
    - An object or some water has been dropped into the product.
    - Cracks or other damage appear on the product.
    - The cooling fan has stopped.
- Follow the steps below to shut down the power.
- Disconnect the power cord plug from the AC outlet. Continuing to use the product as-is may result in fire, electrical shock or malfunction. Request a check-up or repair immediately.

### Power supply

- Do not damage the power cord.
  - Do not place the power cord near heat sources such as heaters.
  - Do not forcefully bend or modify the power cord.
  - Do not damage the power cord.
  - Do not place heavy objects on the power cord.
  - Do not staple the power cord.
- Using a frayed power cord with the core wire exposed may result in fire, electrical shock or malfunction.
- During lightning or electrical storms, do not touch this product, power plug or power cord. Otherwise, electrical shock may be caused.
- Use the voltage specified for this product. Using an incorrect voltage may result in fire, electrical shock or malfunction.
- Be sure to use the supplied power cord.
- Do not use the following Included accessories with other devices.
  - Power cord
 Otherwise, fire, burns or malfunction may be caused.
- Check the power cord plug periodically and remove any dirt or dust that may have accumulated. Otherwise, fire or electrical shock may be caused.
- Be sure to fully insert the power cord plug into an AC outlet.
  - Otherwise, electrical shock, or fire or malfunction due to short circuit may be caused.
- Insert the power cord plug into the AC outlet that is visible and easily accessible.
- If you plan not to use the unit for a long period of time, remove the power cord plug from the AC outlets. Otherwise, fire or malfunction may be caused.

(SWX2322P-16MT model only)

- If you plan to connect a powered device that complies with the IEEE802.3af, IEEE802.3at and/or IEEE802.3bt standards, use an Ethernet cable that supports PoE power supply. Failure to observe this precaution could result in a fire or malfunction.
- Do not bundle a large number of LAN cables that are supplying PoE power. Elevated temperatures at the bundled area might cause a fire, failure, or malfunction. To prevent the cable temperature from exceeding the cable temperature rating, limit the number of cables bundled. SWX2322P-16MT is to be connected only to PoE networks without routing to the outside plant. Failing to do so may cause malfunction or fire.

### Connections

- Insert the power cord plug into an appropriate AC outlet that features a protective grounding connection. If the device is not grounded correctly, electrical shock, fire or malfunction may be caused.

## Do not disassemble

---

- Do not modify or disassemble this product. Otherwise, fire, electrical shock, injury or malfunction may be caused.

## Water warning

---

- Do not use this product in damp or wet conditions, such as a bathroom or rainy outdoor location. If liquid spills into the product, fire, electrical shock or malfunction may be caused.
- Do not place on this product any containers (such as vases or medicine bottles) that contain liquids. If liquid spills into the product, fire, electrical shock or malfunction may be caused.
- Do not insert the power cord plug into or remove it from the AC outlet with wet hands. Do not handle this product with wet hands. Otherwise, electrical shock or malfunction may be caused.

## Fire warning

---

- Do not handle open flames near this product. Otherwise, fire may be caused.

## Handling

---

- Do not drop this product or apply any strong impact to the product. Otherwise, fire, electrical shock or malfunction may be caused.

## Backup battery

---

- Do not replace the backup battery by yourself. Doing so may cause an explosion or malfunction of the product. If the battery needs to be replaced, contact your Yamaha dealer and ask qualified Yamaha service personnel to replace the battery.
- Do not disassemble a battery. If the contents of the battery get on your hands or in your eyes, it can cause blindness or chemical burns.
- Do not dispose of a battery in fire. Do not expose the battery to conditions of extreme low air pressure, cold or heat (such as in direct sunlight or a fire) or excessive dust or humidity. Doing so may result in the battery bursting, causing a fire or injury.
- Do not place this product in a place where the air pressure is extremely low. Doing so may result in the battery bursting, causing a fire or injury.



## CAUTION

---

**These precautions alert the user to the possibility of physical injury.**

## Power supply

---

- If the power cord plug inserted into the AC outlet is wiggly or loose, do not use that outlet. Otherwise, fire, electrical shock or burns may be caused.
- When removing the power cord plug from the product or an outlet, always hold the plug itself and not the cord. Otherwise, the power cord may be damaged, resulting in fire or electrical shock.

## Installation

---

- Do not place this product in an unstable position or a location subject to vibration. Otherwise, the product may fall or tip over, resulting in injuries, malfunction or damage.
- Do not block the heat dissipation of this product when installing it.
  - Do not cover the product with a cloth or table cloth.
  - Do not install the product on a carpet or rug.
  - Do not block the vents (holes for taking in outside air, heat dissipation and fan exhaust).
  - Do not use the product in a confined, poorly-ventilated location. Inadequate ventilation may result in overheating inside the product, possibly causing fire or malfunction.
- Install this product in accordance with the instructions described in the following manual.
  - User Guide (on our website)
- Do not stack this product on top of or under other devices, since doing so may cause fire or burns.
- Do not install the product in a place where it may come into contact with salt air, corrosive gases, oily fume or steam. Otherwise, the product may fall or tip over, resulting in injuries, malfunction or damage.
- Before moving this product, be sure to remove all connected cables. Otherwise, the cables might be caught by a foot or hand, and the product may fall or tip over, resulting in injuries, malfunction or damage.
- When mounting on a wall, ceiling or rack be sure to have someone with specialized knowledge install the product. If necessary, ask the store where you purchased the product or a specialized construction company. Improper installation may cause injuries, damage, or malfunction of this product.
- Confirm that the finished installation is safe and secure. Also, carry out safety inspections periodically. Failure to observe this may cause devices to fall and result in injury.
- When installing horizontally, be sure to attach rubber feet. Failing to do so may cause fire or burns. Confirm that the finished installation is safe and secure. Also, carry out safety inspections periodically. Failure to observe this may cause devices to fall and result in injury.

## Connections

---

- If you plan to connect external devices, first read the owner's manual for each device, and connect them in accordance with the instructions.  
If you do not follow the instructions correctly, injury or malfunction may be caused.

## Maintenance

---

- Before cleaning the product, be sure to remove the power cord plug from the AC outlet.  
Otherwise, electrical shock may be caused.

## Handling

---

- Do not insert your hands or fingers in any gaps on this product.  
Otherwise, injury may be caused.
- Do not drop a foreign object, such as a piece of metal or paper, into any gap on this product.  
Otherwise, fire, electrical shock or malfunction may be caused.
- Keep small parts away from infants.  
Otherwise, they may swallow them by accident.
- Do not apply the following excessive force to this product.
  - Resting your weight on this product
  - Placing heavy objects on this product
  - Stacking up this product
  - Applying excessive force to the buttons or I/O connectors
  - Hanging on to this product
  - Leaning against this productOtherwise, injury, electrical shock, malfunction or damage may be caused.
- Do not pull connected cables.  
Otherwise, the product may fall or tip over, resulting in injuries, malfunction or damage.

# Precautions for use

## NOTICE

---

Follow the precautions below to avoid malfunction and damage to this product and to prevent the loss of data.

### Installation

---

- If you hear noise, change the product location or orientation, or the surrounding environment. Depending on the environment in which you use the product, a phone, radio or TV may generate noise.
- Do not install this product in a place subject to:
  - Direct sunlight
  - Extremely high or low temperatures
  - Excessive dustOtherwise, malfunction, deformation or disfiguration may be caused.
- Do not install this product in a place where condensation can form due to rapid, drastic changes in ambient temperature. Using the product while condensation is present may cause malfunction. If there is a reason to believe that condensation might have occurred on or in this product, leave it for several hours without turning on the power. You can start using the product when the condensation has completely dried.
- Do not install this product in a place subject to strong electro-magnetic waves. Otherwise, malfunction may be caused.
- Do not install telecommunication cables near the power cord. Otherwise, high voltage may be induced, resulting in malfunction.
- Do not install using a wall mount kit or rack mount kit other than the included items.

### Connections

---

- Do not connect this product to a public Wi-Fi and/or Internet service directly. Only connect this product to the Internet through a router with strong password protections. Consult your router manufacturer for information on optimum security practices.
- Do not connect any noise generating devices to the same power supply line as this product. Doing so may cause damage or malfunctions.
- If you plan to use this product on a 1000BASE-T / 2.5GBASE-T / 5GBASE-T network, use LAN cables of Enhanced Category 5 (CAT5e) or higher. If you plan to use this product on a 10GBASE-T network, use cables of Category 6 (CAT6) or higher. However, if you plan to use this product on a 2.5GBASE-T / 5GBASE-T / 10GBASE-T network, the resulting maximum transmission distance may be shorter than the standard value due to the influence of adjacent cables and external noise. For details, refer to the “User Guide” on the Yamaha website.
- When connecting using a Direct Attach cable or an STP cable, make sure that the grounding for the devices is at the same potential.

(SWX2322P-16MT model only)

- If a cable that is supplying PoE power is disconnect from a LAN port, wait at least 5 seconds before reconnecting it. Not doing so could cause a failure or malfunction.

### Handling

---

- Do not place any vinyl, plastic or rubber products on this product. Otherwise, the panel may be discolored or deteriorate.
- Before you touch this product, remove static electricity from your body or clothing. Otherwise, static electricity may lead to malfunction of the product.
- Do not touch the inside of the terminal with your finger or a metal object. Doing so may result in malfunction or poor contact.
- Be sure to read the user guide for this product on the website, and then only connect the specified SFP modules (class 1 laser; sold separately) or Direct Attach cables (sold separately) to the SFP+ slot. Operation cannot be guaranteed if any SFP module or Direct Attach cable other than those specified is connected.
- Attach the dust cover to SFP+ slots that are not in use. Failing to do so could allow foreign objects to enter, causing malfunctions. Keep the dust cover in a safe place so that it is not lost.
- If it is difficult to pull out the Direct Attach cable (sold separately), refer to the User Guide (available from the website) to disconnect it. Forcibly pulling out the cable may damage this product or the Direct Attach cable.

### Maintenance

---

- Use a dry, soft cloth to clean this product. Do not use benzine, thinner, detergent or chemical rag to clean the surface of the product. Otherwise, the surface may be discolored or deteriorate.

### Disposal or transfer

---

- Before you transfer ownership or dispose of this product, initialize the product settings to default. If you transfer ownership or dispose of this product without initializing the settings, your personal data may be stolen by a third party.

# Important information

## NOTE

This section describes precautions to be observed during use, functional restrictions, and supplemental information that may be helpful for you.

### Product features

- Yamaha continuously makes improvements and updates to the software included in this product. You can download the latest software from the Yamaha website.
- Use certified Optical Fiber Transceiver Class I Laser Product.

This is a class A product. Operation of this product in a residential environment could cause radio interference.

### Contents of this document

- The company names and product names in this document are the trademarks and registered trademarks of their respective companies.
- The contents of this document apply to the latest specifications as of the publishing date. You can download the latest version from the Yamaha website.
- Unauthorized copying of this document in part or in its entirety is prohibited.

### Software license agreement

The product firmware revision number can be updated. Updating the firmware revision is considered an indication of agreement to the Yamaha network product software license agreement. Before updating the firmware revision, be sure to carefully read the Yamaha network product software license agreement.

If you cannot agree to the terms in the Yamaha network product software license agreement, do not update the firmware revision.

Even in the case of negligence, Yamaha accepts no responsibility for any customer losses caused by the software, unless such disclaimer is specifically prohibited by an applicable law or regulation.

#### Yamaha Network Product Software License Agreement

<https://www.rtpro.yamaha.co.jp/RT/docs/firmware/license/LICENSE>

### Open-source software used by this product

Visit the following website for the relevant license agreement.

<https://www.yamahaproaudio.com/>

### Disposal or transfer

- If you plan to transfer ownership of this product, include this document and the supplied accessories along with the unit.
- Follow the rules of your local authority to dispose of this product and its accessories.
- Follow the rules of your local authority to dispose of used batteries. This product uses a lithium battery to back up the power for the clock function.

### Nameplate of this product

The model number, serial number, power requirements, etc., may be found on or near the name plate, which is at the top of the unit. You should note this serial number in the space provided below and retain this manual as a permanent record of your purchase to aid identification in the event of theft.

**Model No.**

---

**Serial No.**

---

(1003-M06 plate top en 01)

# Introduction

---

Thank you for purchasing this Yamaha product.

- Be sure to first read the separate “Precautions”.
- For correct and safe use of this product, be sure to observe the warnings and cautions in this manual.
- Please retain this manual in a safe location so that it is not lost.

## Website information

Optional accessories, User Guide, Command Reference and technical data are available on the Yamaha website.

<https://www.yamahaproaudio.com/>

## Included items

Verify that the following included items are present.

- Read This First (this document): 1 pc.
- Power cord: 1 pc.
- Power cord clamp (used only for the included dedicated power cord): 1 pc.
- Dust covers (pre-installed on the SFP+ slots when the product is shipped): 4 pcs.
- Legs (rubber feet): 4 pcs.
- 19-inch rack mount hardware: 2 pcs.
- Wall mount hardware: 2 pcs.
- Screws (M3 x 8L): 8 pcs.

### Note

The screw thread diameter is 3.0 mm, the screw head diameter is 5.5 mm, and the screw length is 8.0 mm.

## Separately sold items

Details are provided on the website.

Be sure to read the instruction manuals for other products and the User Guide for this product before use.



## Related software and documents

The following manuals are prepared according to the intended use of this product. Read the appropriate manual according to your particular application.

- **Read This First (this document)**  
Describes the precautions for using this product. Be sure to read before use.
- **User Guide (website)**  
Describes how to install, connect, and set this product and other options.
- **Command reference (website)**  
Describes the command format for setting up this product and a usage example.
- **Technical reference (website)**  
Describes detailed information about the features of this product.
- **Help for “Web Settings Screen”**  
Describes detailed explanations about each setting item.

The following software is prepared.

- **Yamaha LAN Monitor**  
This is an application used to monitor this unit’s information and the entire network including all Dante devices on the Dante network, and the user guide for this application.

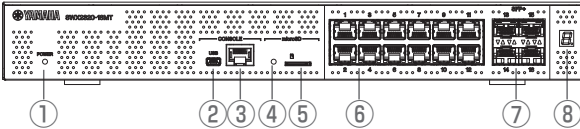
The software above can be downloaded from the following website.

<https://www.yamahaproaudio.com/>

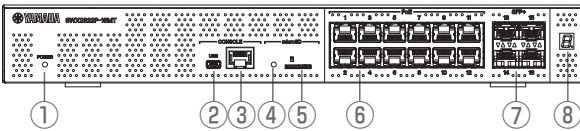
# Controls and Connectors

## Front panel

SWX2320-16MT



SWX2322P-16MT



### Note

The many holes on the front are a cooling vent for taking in outside air.

- ① **POWER indicator**  
Lights when power is provided to the unit.
- ② **mini-USB CONSOLE port**  
This is a mini-USB port for making settings. Use a USB cable to connect it to the USB port of a computer.
- ③ **RJ-45 CONSOLE port**  
This is an RJ-45 port for making settings. Use an RJ-45/DB-9 console cable to connect it to the RS-232C connector (COM port) of the computer.
- ④ **microSD indicator**  
Indicates the connection and usage status of the microSD card.
- ⑤ **microSD slot**  
A microSD card can be inserted in this slot.

### ⑥ LAN ports

These ports support 100BASE-TX, 1000BASE-T, 2.5GBASE-T, 5GBASE-T, and 10GBASE-T. SWX2322P-16MT ports support supplying PoE power. They are compliant with IEEE 802.3bt.

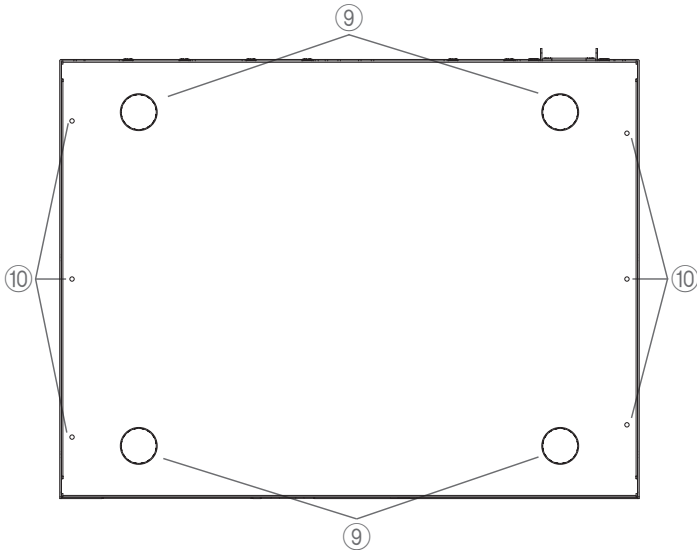
### ⑦ SFP+ slots

These slots support 1000BASE-SX, 1000BASE-LX, 10GBASE-SR, and 10GBASE-LR. Install the SFP module (sold separately) and direct attach cable (sold separately).

### ⑧ Stack ID indicator

This is a 7-segment display that indicates the stack ID when stack connection is used.

# Bottom panel



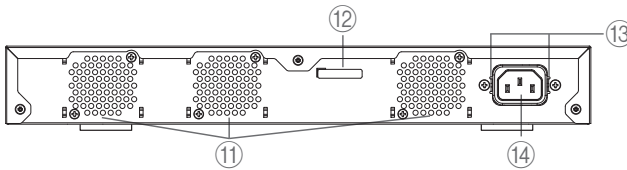
**9 Rubber foot attachment guides**

These are the locations where the rubber feet are to be attached when placing the unit on a level surface.

**10 Wall mount accessory attachment holes**

These are screw holes for attaching the included wall mount accessory when installing on a wall or ceiling.

## Rear panel



### ⑪ Ventilation holes

These are holes for forcibly exhausting the heat generated inside with fans.

### ⑫ Serial number

The product label has the same indication.

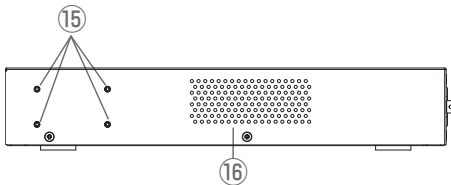
### ⑬ Power cord clamp attachment holes

The included power cord clamp (C-shaped) can be attached here.

### ⑭ Power supply inlet (three-pin connector, C14 type)

Insert the included power supply cord here.

## Side panel



### ⑮ Rack mount accessory attachment holes

These are screw holes for attaching the included rack mount accessory when installing this product in a 19-inch rack (1U).

### ⑯ Cooling vents

The holes in this product are cooling vents by the fan for intake of external air.

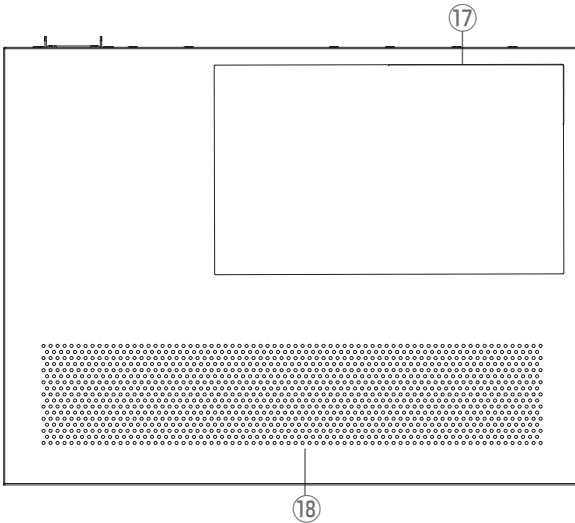


### WARNING

**Do not block the cooling vents or place objects near them.**

Doing so could cause fire or malfunctions.

# Top panel



**17 Product label**

This lists the model name, serial number, and MAC address etc. of this unit.

**18 Cooling vents**

The holes in this product are cooling vents for intake of external air.

# Appendix

## Hardware specifications

Item		SWX2320-16MT	SWX2322P-16MT
LAN ports	Standard	IEEE802.3 (100BASE-TX/ 1000BASE-T/ 2.5GBASE-T/ 5GBASE-T/ 10GBASE-T)	
	Number of ports	12	
	Communication mode	Auto negotiation	
	Connector	RJ-45	
	Polarity	Automatic detection of straight/ cross, or fixed at straight	
PoE	Number of ports	—	12
	Standard	—	IEEE 802.3bt type 4 (class 0 - 8)
	Power supply system	—	Alternative A / Alternative B
	Maximum power supply	—	90 W / port, 250 W / entire unit
	Compatible PoE powered devices	—	PoE powered devices that comply following standards: IEEE 802.3af IEEE 802.3at IEEE 802.3bt
SFP+ slots	Standard	IEEE802.3z (1000BASE-SX/ 1000BASE-LX) IEEE802.3ae (10GBASE-SR/ 10GBASE-LR)	
	Number of slots	4	
Dimensions not including protrusions and feet		330 mm(W) × 44 mm(H) × 250 mm(D)	
Weight (without included items)		2.7 kg	2.9 kg
Power supply voltage and frequency		AC100 – 240 V, 50/60 Hz	

## Appendix

Item		SWX2320-16MT	SWX2322P-16MT
Maximum power consumption		84 W	385 W
CONSOLE port	Standard	RS-232C, USB 2.0	
	Connector	RJ-45, USB mini-B (5-pin)	
	Data transmission speed	9600 (default value) / 19200/ 38400/ 57600/ 115200 bit/s	
microSD slot	Standard	microSD/ microSDHC	
	File System	FAT16/ FAT32	
Indicators		POWER, microSD, STACK ID, LAN port (LINK/ ACT, SPEED), SFP+ port (LINK/ ACT, SPEED)	
Number of fans		3	
MAC address		Indicated in product label on top panel of unit	
Operating environment conditions	Ambient temperature	0 – 50 °C	
	Ambient humidity	15 – 80% (non-condensing)	
Storage environment conditions	Ambient temperature	–20 – 60 °C	
	Ambient humidity	10 – 90% (non-condensing)	



# VORSICHTSMAßNAHMEN

Bitte lesen Sie diese Vorsichtshinweise aufmerksam durch, bevor Sie weitermachen.

## Befolgen Sie die Anweisungen unbedingt

Lesen und beachten Sie die folgenden Vorsichtsmaßnahmen sorgfältig, um Verletzungen und Sachschäden zu vermeiden.

Bewahren Sie das Dokument nach dem Durchlesen an einem Ort auf, wo es für alle, die das Produkt nutzen, zugänglich ist.

- Wenden Sie sich zur Kontrolle oder Reparatur an den nächstehenden Kundendienst.
  - Geschäft, in dem Sie das Gerät erworben haben
  - Yamaha-Händler
- Dieses Produkt ist für die Verwendung als allgemeine Büroausrüstung vorgesehen. Verwenden Sie es nicht in Bereichen, die ein hohes Maß an Zuverlässigkeit in Bezug auf Menschenleben erfordern.
- Bitte beachten Sie, dass Yamaha in keiner Weise für irgendwelche Verluste haften kann, die durch unsachgemäßen Gebrauch oder unbefugte Modifikationen des Produkts entstehen.



## WARNUNG

**Diese Vorsichtsmaßnahmen warnen vor tödlichen oder schweren Verletzungen des Benutzers oder anderer Personen.**

### Bei Auffälligkeiten

- Sollte eines der nachstehenden ungewöhnlichen Vorkommnisse auftreten, schalten Sie den Strom sofort ab.
    - Das Netzkabel oder der Netzstecker wird beschädigt.
    - Ungewöhnliche Geruchs-, Geräusch- oder Raucherentwicklung vom Produkt.
    - Ein Gegenstand ist in das Produkt gefallen oder Wasser ist eingedrungen.
    - Risse oder Schäden sind am Produkt sichtbar.
    - Der Kühllüfter ist zum Stillstand gekommen.
- Folgen Sie den nachstehenden Schritten, um den Strom abzuschalten.
- Ziehen Sie den Stecker des Netzkabels aus der Steckdose.

Wird das Gerät in diesem Zustand weiter eingesetzt, könnte ein Brand, ein Stromschlag oder eine Störung erfolgen. Fordern Sie sofort eine Kontrolle oder Reparatur an.

## Stromversorgung

- Achten Sie darauf, dass das Netzkabel nicht beschädigt wird.
    - Verlegen Sie das Netzkabel nicht in der Nähe von Wärmequellen wie beispielsweise Heizungen.
    - Knicken oder modifizieren Sie das Netzkabel nicht.
    - Achten Sie darauf, dass das Netzkabel nicht beschädigt wird.
    - Stellen Sie keine schweren Gegenstände auf das Netzkabel.
    - Heften Sie das Netzkabel nicht an.
  - Die Verwendung eines ausgefransten Netzkabels mit freiliegendem Leiter kann einen Brand, einen Stromschlag oder eine Störung verursachen.
  - Vermeiden Sie eine Berührung dieses Produkts, des Netzsteckers oder des Netzkabels bei Blitzschlag oder Gewitter. Anderenfalls kann ein elektrischer Schlag verursacht werden.
  - Verwenden Sie die für dieses Produkt spezifizierte Netzspannung. Die Verwendung einer falschen Netzspannung kann einen Brand, einen Stromschlag oder eine Störung verursachen.
  - Das im Lieferumfang enthaltene Netzkabel verwenden.
  - Verwenden Sie die nachstehend aufgeführten mitgelieferten Zubehörteile nicht für andere Geräte.
    - Netzkabel
  - Anderenfalls könnte ein Brand, eine Verbrennung oder eine Störung erfolgen.
  - Überprüfen Sie regelmäßig den Zustand des Netzkabelsteckers und entfernen Sie jeglichen Schmutz oder Staub, der sich darauf angesammelt hat. Anderenfalls kann ein Brand oder elektrischer Schlag verursacht werden.
  - Führen Sie den Netzkabelstecker bis zum Anschlag in eine Steckdose ein. Anderenfalls könnte ein Stromschlag, ein Brand oder eine Störung verursacht werden.
  - Schließen Sie den Netzkabelstecker an eine Steckdose an, die gut sichtbar und zugänglich ist.
  - Wird das Gerät voraussichtlich längere Zeit nicht benutzt, sollten Sie den Netzstecker von der Netzsteckdose abziehen. Anderenfalls könnte ein Brand oder eine Störung verursacht werden.
- (nur Modell SWX2322P-16MT)
- Bei Verbindung eines PoE-fähigen Geräts, das die Standards IEEE802.3af, IEEE802.3at bzw. IEEE802.3bt unterstützt, ein Ethernet-Kabel benutzen, das PoE-Stromversorgung unterstützt. Anderenfalls könnten Brand oder Störung erfolgen.
  - Mehrere LAN-Kabel, die PoE-Strom liefern, nicht bündeln. Erhöhte Temperaturen im Bündelbereich können Brand, Ausfall oder Störung verursachen. Um ein Überschreiten der zulässigen Kabeltemperatur zu verhindern, die Anzahl gebündelter Kabel begrenzen. SWX2322P-16MT darf nur mit PoE-Netzwerken ohne Routing zur Außenanlage verbunden werden. Anderenfalls könnte Störung oder Brand verursacht werden.

## Anschlüsse

---

- Schließen Sie den Netzkabelstecker an eine geeignete Steckdose an, die mit einem Schutzerdungsanschluss versehen ist.  
Wenn das Gerät nicht vorschriftsmäßig geerdet wird, könnte ein Stromschlag, ein Brand oder eine Störung verursacht werden.

## Nicht zerlegen

---

- Modifizieren oder zerlegen Sie dieses Produkt nicht. Anderenfalls könnte ein Brand, ein Stromschlag, eine Verletzung oder eine Störung verursacht werden.

## Gefahr durch Wasser

---

- Benutzen Sie dieses Gerät nicht unter feuchten oder nassen Bedingungen, z.B. in einem Badezimmer oder draußen im Regen.  
Falls Flüssigkeit in das Gerät gelangt, könnte ein Brand, ein Stromschlag oder eine Störung verursacht werden.
- Stellen Sie keine Behälter (wie Vasen oder Medizinflaschen), die Flüssigkeiten enthalten, auf dieses Produkt.  
Falls Flüssigkeit in das Gerät gelangt, könnte ein Brand, ein Stromschlag oder eine Störung verursacht werden.
- Stecken Sie den Stecker des Netzkabels nicht mit nassen Händen in die Steckdose und ziehen Sie ihn nicht mit nassen Händen heraus. Berühren Sie dieses Produkt niemals mit nassen Händen.  
Anderenfalls könnte ein Stromschlag oder eine Störung verursacht werden.

## Brandschutz

---

- Handhaben Sie in der Nähe dieses Produkts keine offenen Flammen.  
Anderenfalls kann ein Brand verursacht werden.

## Handhabung

---

- Lassen Sie dieses Produkt nicht fallen und setzen Sie das Produkt keinen starken Stößen oder Erschütterungen aus.  
Anderenfalls könnte ein Brand, ein Stromschlag oder eine Störung verursacht werden.

## Backup-Batterie

---

- Ersetzen Sie die Backup-Batterie nicht eigenmächtig. Dies könnte eine Explosion oder Beschädigung des Geräts verursachen. Wenn die Batterie ersetzt werden muss, wenden Sie sich an Ihren Yamaha-Händler oder lassen die Batterie von qualifiziertem Yamaha-Fachpersonal ersetzen.
- Die Batterie nicht zerlegen. Der Kontakt von Batterieflüssigkeit mit der Haut oder den Augen kann Erblindung oder Verätzungen verursachen.
- Batterien nicht ins Feuer werfen. Batterien nicht extrem niedrigem Luftdruck, Kälte oder Hitze (z.B. direktem Sonnenlicht oder Feuer) sowie übermäßigem Staub oder Feuchtigkeit aussetzen. Anderenfalls kann die Batterie platzen und einen Brand oder Verletzungen verursachen.
- Diesen Artikel nicht an einen Ort mit extrem niedrigem Luftdruck bringen. Anderenfalls kann die Batterie platzen und einen Brand oder Verletzungen verursachen.



## VORSICHT

---

**Diese Vorsichtsmaßnahmen warnen vor einer Körperverletzung des Benutzers.**

## Netzspannung/-frequenz

---

- Wenn der Netzkabelstecker wackelig oder locker in der Steckdose sitzt, verwenden Sie diese Steckdose nicht. Anderenfalls kann ein Brand, ein elektrischer Schlag oder eine Verbrennung verursacht werden.
- Wenn Sie den Netzkabelstecker vom Produkt abziehen oder aus der Steckdose ziehen, fassen Sie stets den Stecker selbst und ziehen niemals am Kabel.  
Anderenfalls kann das Netzkabel beschädigt werden, was einen Brand oder elektrischen Schlag zur Folge haben kann.

## Montage

---

- Stellen Sie dieses Produkt nicht in einer instabilen Lage oder an einem Ort auf, der Vibrationen ausgesetzt ist. Anderenfalls könnte das Gerät abstürzen oder umkippen, was eine Verletzung, Störung oder Beschädigung verursachen kann.
- Achten Sie bei der Installation darauf, dass die Wärmeabführung nicht behindert wird.
  - Decken Sie das Produkt nicht mit einem Tuch oder einer Tischdecke ab.
  - Stellen Sie das Produkt nicht auf einem Teppich oder einer Decke auf.
  - Verdecken Sie die Lüftungsöffnungen (Außenluftaufnahme, Wärmeableitung, Lüfterauflage) nicht.
  - Verwenden Sie das Produkt nicht an einer beengten und schlecht belüfteten Stelle.  
Eine unzureichende Lüftung kann eine Überhitzung im Gerät, einen Brand oder eine Störung verursachen.
- Installieren Sie dieses Produkt in Übereinstimmung mit den Anweisungen in der nachstehenden Dokumentation.
  - Benutzerhandbuch (Website)
- Stapeln Sie dieses Gerät nicht auf oder unter anderen Geräten, um Bränden oder Verbrennungen zu vermeiden.
- Installieren Sie das Produkt nicht an einem Ort, an dem es mit salzhaltiger Luft, korrosiven Gasen, öligen Dämpfen oder Dampf in Berührung kommen kann.  
Anderenfalls könnte das Gerät abstürzen oder umkippen, was eine Verletzung, Störung oder Beschädigung verursachen kann.
- Bevor Sie dieses Produkt bewegen, lösen Sie unbedingt alle angeschlossenen Kabel.  
Anderenfalls könnten die Kabel versehentlich mitgerissen werden und das Gerät abstürzen oder umkippen, was eine Verletzung, Störung oder Beschädigung verursachen kann.
- Wand-, Decken- oder Rack-Montage sollte durch einen Fachmann durchgeführt werden. Richten Sie sich ggf. an das Geschäft, in dem Sie das Gerät erworben haben, oder an einen Fachbetrieb.  
Eine unsachgemäße Montage kann eine Verletzung, Beschädigung, oder Störung des Geräts verursachen.

- Vergewissern Sie sich, dass die abgeschlossene Installation sicher und fest ist. Führen Sie außerdem regelmäßig Sicherheitskontrollen durch. Nichtbeachtung kann einen Fall der Einheit verursachen, der wiederum eine Verletzung zur Folge haben kann.
- Bei Aufstellen auf einer horizontalen Oberfläche die GummifüÙe anbringen. Anderenfalls könnten Brände oder Verbrennungen verursacht werden.  
Bestätigen, dass die abgeschlossene Einrichtung sicher ist. Außerdem regelmäßige Sicherheitskontrollen durchführen. Anderenfalls könnten Geräte abstürzen und Verletzungen verursachen.

## **Anschlüsse & Verbindungen**

---

- Wenn externe Geräte angeschlossen werden sollen, lesen Sie zunächst das Benutzerhandbuch des jeweiligen Geräts und schließen die Geräte dann den Anweisungen gemäß an. Werden die Anweisungen nicht korrekt befolgt, kann eine Verletzung oder eine Störung verursacht werden.

## **Wartung**

---

- Bevor Sie das Produkt reinigen, ziehen Sie unbedingt den Stecker des Netzkabels aus der Steckdose. Anderenfalls kann ein elektrischer Schlag verursacht werden.

## **Handhabung**

---

- Hände und Finger aus den Geräteschlitz fern halten. Anderenfalls kann eine Verletzung verursacht werden.
- Achten Sie darauf, dass keine Fremdkörper wie Metallteile oder Papier durch eine Öffnung in dieses Produkt fallen. Anderenfalls könnte ein Brand, ein Stromschlag oder eine Störung verursacht werden.
- Halten Sie kleine Teile von Kleinkindern fern. Sie könnten anderenfalls versehentlich verschluckt werden.
- Setzen Sie das Produkt nicht den folgenden Kräfteinwirkungen aus.
  - Stützen Ihres Gewichts auf diesem Produkt
  - Abstellen schwerer Gegenstände auf das Gerät
  - Stapeln dieses Produkts
  - Kraftvolle Bedienung der Tasten oder Anschlüsse
  - Hängen an diesem Produkt
  - Anlehnen an dieses ProduktAnderenfalls könnte ein Verletzung, ein Stromschlag, eine Störung oder eine Beschädigung verursacht werden.
- Ziehen Sie nicht an angeschlossenen Kabeln. Anderenfalls könnte das Gerät abstürzen oder umkippen, was eine Verletzung, Störung oder Beschädigung verursachen kann.

# Vorsichtsmaßnahmen zum Einsatz

## ACHTUNG

---

Beachten Sie die nachstehenden Vorsichtshinweise, um Störungen und Schäden an diesem Produkt zu vermeiden und dem Verlust von Daten vorzubeugen.

### Montage

---

- Ändern Sie bei Störungen den Einsatzort, die Ausrichtung oder die Umgebung des Geräts. Abhängig von der Umgebung, in der Sie das Produkt verwenden, kann ein Telefon, Radio oder Fernseher Rauschen generieren.
- Installieren Sie dieses Produkt nicht an einem Ort, wo es folgenden Einflüssen ausgesetzt ist:
  - Direktes Sonnenlicht
  - Extrem hohe oder tiefe Temperaturen
  - Übermäßig viel StaubAnderenfalls könnte eine Störung, Verformung oder Entstellung verursacht werden.
- Installieren Sie dieses Produkt nicht an einem Ort, an dem sich aufgrund von schnellen, drastischen Änderungen der Umgebungstemperatur Kondensation bilden kann. Die Verwendung des Produkts bei vorhandener Kondensation könnte eine Störung verursachen. Besteht Grund zur Annahme, dass sich an oder in diesem Gerät Kondensation gebildet haben könnte, lassen Sie es mehrere Stunden lang im ausgeschalteten Zustand stehen. Sie können das Produkt wieder in Betrieb nehmen, sobald die Kondensation sich verflüchtigt hat.
- Installieren Sie dieses Produkt nicht an einem Ort, wo es starken elektromagnetischen Wellen ausgesetzt ist. Anderenfalls kann eine Funktionsstörung verursacht werden.
- Verlegen Sie Telekommunikationskabel nicht neben dem Netzkabel. Anderenfalls kann eine hohe Spannung induziert werden und eine Funktionsstörung zur Folge haben.
- Benutzen Sie ausschließlich das zugehörige Wand- oder Rack-Montagzubehör.

### Anschlüsse & Verbindungen

---

- Verbinden Sie dieses Produkt nicht direkt mit einem öffentlichem WLAN und/oder dem Internet. Verbinden Sie dieses Produkt nur über einen Router (Zugangsknoten) mit starkem Passwortschutz. Wenden Sie sich an den Hersteller Ihres Routers für Informationen zur besten Vorgehensweise für Ihre Sicherheit.
- Schalten Sie keine Geräte, die Störgeräusche erzeugen, an der selben Stromversorgungsleitung wie dieses Gerät an. Anderenfalls könnte eine Beschädigung oder Störung verursacht werden.
- Zum Einsatz dieses Geräts in einem 1000BASE-T/2.5GBASE-T/5GBASE-T-Netzwerk verwenden Sie LAN-Kabel der Kategorie CAT5e oder höher. Wenn dieses Produkt in einem 10GBASE-T-Netzwerk verwendet werden soll, verwenden Sie Kabel der Kategorie 6 (CAT6) oder höher. Allerdings kann beim Einsatz dieses Geräts in einem 2.5GBASE-T/5GBASE-T/10GBASE-T-Netzwerk die effektive maximale Übertragungsentfernung aufgrund des Einflusses

benachbarter Kabel und externer Störungen kürzer als der Standardwert sein. Einzelheiten finden sich im „Benutzerhandbuch“ auf der Website von Yamaha.

- Beim Einsatz eines Direktanschlusskabels oder STP-Kabels sicherstellen, dass die Geräte-Erdungen das gleiche Potenzial aufweisen.  
(nur Modell SWX2322P-16MT)
- Wurde ein Kabel, das PoE-Strom liefert, von einer LAN-Buchse abgezogen, mindestens 5 Sekunden warten, bevor es erneut verbunden wird. Andernfalls könnten Störungen verursacht werden.

### Handhabung

---

- Stellen oder legen Sie keine Gegenstände aus Vinyl, Kunststoff oder Gummi auf dieses Produkt. Anderenfalls kann die Verkleidung verfärbt oder angegriffen werden.
- Bevor Sie dieses Produkt berühren, entfernen Sie die statische Elektrizität von Ihrem Körper oder Ihrer Kleidung. Anderenfalls könnte statische Elektrizität eine Störung des Geräts verursachen.
- Berühren Sie die Klemmen nicht mit Ihren Fingern oder Metallgegenständen. Anderenfalls könnte eine Störung oder mangelnder Kontakt verursacht werden.
- Das auf der Website verfügbare Benutzerhandbuch für diesen Artikel lesen, bevor ausschließlich die vorgegebenen SFP-Module (Lasergerät der Klasse 1; separat erhältlich) oder Direktanschlusskabel (separat erhältlich) mit Steckplatz SFP+ verbunden werden. Der Betrieb kann nicht gewährleistet werden, wenn andere als die vorgegebenen SFP-Module oder Direktanschlusskabel angeschlossen werden.
- Unbelegte Steckplätze SFP+ mit einer Staubabdeckung versehen. Anderenfalls könnte Fremdmaterial eindringen und Störungen verursachen. Bewahren Sie die Staubabdeckung an einem sicheren Ort auf, damit sie nicht verlorengeht.
- Falls sich das Direktanschlusskabel (separat erhältlich) nicht problemlos lösen lässt, beziehen Sie sich das auf der Website verfügbare Benutzerhandbuch. Durch gewaltsames Herausziehen des Kabels kann das Gerät oder Direktanschlusskabel beschädigt werden.

### Wartung

---

- Verwenden Sie zum Reinigen dieses Produkts ein trockenes, weiches Tuch. Verwenden Sie kein Benzin, Verdünnern, Reinigungsmittel oder chemische Lappen, um die Oberfläche des Produkts zu reinigen. Anderenfalls kann die Oberfläche verfärbt oder angegriffen werden.

### Entsorgung oder Übertragung

---

- Bevor Sie das Produkt übertragen oder entsorgen, initialisieren Sie die Produkteinstellungen auf die Standardeinstellungen. Wenn Sie das Produkt übertragen oder entsorgen, ohne die Einstellungen zu initialisieren, können Ihre persönlichen Daten von einer dritten Partei gestohlen werden.

# Wichtige Informationen

## ANMERKUNG

Dieser Abschnitt beschreibt Vorsichtsmaßnahmen, die bei der Verwendung zu beachten sind, Funktionseinschränkungen und ergänzende Informationen, die für Sie hilfreich sein können.

### Produktmerkmale

- Yamaha führt kontinuierlich Verbesserungen und Aktualisierungen der in diesem Produkt enthaltenen Software durch. Sie können die neueste Software von der Yamaha-Website herunterladen.
- Setzen Sie ein zertifiziertes optisches Sendeempfänger-Laserprodukt der Klasse I ein.

Dies ist ein Gerät der Klasse A. Der Betrieb dieses Geräts in Wohngebieten kann Funkstörungen verursachen.

### Inhalt dieses Dokuments

- Die Unternehmens- und Produktnamen in diesem Dokument sind Warenzeichen und eingetragene Warenzeichen der entsprechenden Unternehmen.
- Der Inhalt dieses Dokuments gilt für die zum Zeitpunkt der Veröffentlichung aktuellen technischen Daten. Sie können die neueste Version von der Yamaha-Website herunterladen.
- Das unautorisierte Kopieren dieses Dokuments, ob auszugsweise oder als Ganzes, ist verboten.

### Software-Lizenzvereinbarung

Die Revisionsnummer der Geräte-Firmware kann aktualisiert werden. Die Aktualisierung der Firmware-Revision gilt als Zustimmung zur Software-Lizenzvereinbarung für Netzwerkgeräte von Yamaha. Vor dem Aktualisieren der Firmware-Version die Software-Lizenzvereinbarung für Netzwerkgeräte von Yamaha gründlich lesen.

Falls den Bedingungen in der Software-Lizenzvereinbarung für Netzwerkgeräte von Yamaha nicht zugestimmt wird, die Firmware-Revision nicht aktualisieren.

Auch im Falle von Fahrlässigkeit übernimmt Yamaha keine Verantwortung für Verluste, die dem Kunden durch die Software verursacht werden, es sei denn, ein solcher Haftungsausschluss ist ausdrücklich durch geltende Gesetze oder Vorschriften verboten.

#### Software-Lizenzvereinbarung für Netzwerkgeräte von Yamaha

<https://www.rtpro.yamaha.co.jp/RT/docs/firmware/license/LICENSE>

### Von diesem Produkt verwendete Open-Source-Software

Besuchen Sie die nachstehende Website für die entsprechende Lizenzvereinbarung.  
<https://www.yamahaproaudio.com/>

### Entsorgung oder Übertragung

- Falls Sie dieses Gerät an eine andere Person weitergeben, legen Sie vorliegende Unterlagen und das zugehörige Zubehör bei.
- Befolgen Sie bei der Entsorgung dieses Produkts und seines Zubehörs die Vorschriften Ihrer örtlichen Behörde.
- Befolgen Sie bei der Entsorgung von Altbatterien die Vorschriften Ihrer örtlichen Behörde. Dieses Produkt verwendet als Backup-Stromversorgung für die Uhrfunktion eine Lithiumbatterie.

### Typenschild dieses Produkts

Die Nummer des Modells, die Seriennummer, der Leistungsbedarf usw. sind auf dem Typenschild, das sich auf der Oberseite des Geräts befindet, oder in der Nähe davon angegeben. Sie sollten diese Seriennummer an der unten vorgesehenen Stelle eintragen und dieses Handbuch als dauerhaften Beleg für Ihren Kauf aufbewahren, um im Fall eines Diebstahls die Identifikation zu erleichtern.

**Modellnr.** \_\_\_\_\_

**Seriennr.** \_\_\_\_\_

(1003-M06 plate top de 02)

# Einführung

---

Vielen Dank, dass Sie sich für dieses Produkt von Yamaha entschieden haben.

- Lesen Sie zuerst die gesonderten „Vorsichtsmaßnahmen“.
- Beachten Sie die in vorliegender Anleitung enthaltenen Warnhinweise, um eine korrekte und sichere Verwendung dieses Geräts zu gewährleisten.
- Heben Sie diese Anleitung an einem sicheren Ort auf.

## Website-Informationen

Sonderzubehör, Benutzerhandbuch, Befehlsreferenz und technische Daten sind auf der Yamaha-Website verfügbar.

<https://www.yamahaproaudio.com/>

## Lieferumfang

Prüfen Sie, ob die folgenden mitgelieferten Gegenstände vorhanden sind.

- Zuerst lesen (vorliegendes Dokument): 1 Stk.
- Netzkabel: 1 Stk.
- Klemme für Netzkabel (nur für das mitgelieferte Spezialnetzkabel): 1 Stk.
- Staubabdeckungen (ab Werk bereits an den Steckplätzen SFP+): 4 Stk.
- Füße (Gummifüße): 4 Stk.
- Montagezubehör für 19-Zoll-Rack: 2 Stk.
- Zubehör für Wandmontage 2 Stk.
- Schrauben (M3 x 8L): 8 Stk.

## Hinweis

Der Schraubengewindedurchmesser beträgt 3,0 mm, der Schraubenkopfdurchmesser 5,5 mm und die Schraubenlänge 8,0 mm.

## Separat erhältliches Zubehör

Einzelheiten finden sich auf der Website.

Lesen Sie vor dem Einsatz unbedingt die Bedienungsanleitungen anderer Geräte und das Benutzerhandbuch dieses Geräts.

## Verwandte Software und Dokumente

Folgende Anleitungen wurden für die verschiedenen Verwendungszwecke dieses Geräts erstellt.

Lesen Sie die Anleitung, die Ihrer jeweiligen Anwendung entspricht.

- **Zuerst lesen (vorliegendes Dokument)**  
Enthält Vorsichtsmaßnahmen für den Einsatz dieses Geräts. Lesen Sie diese vor dem Einsatz.
- **Benutzerhandbuch (Website)**  
Beschreibt die Aufstellung, Verbindung und Einstellung dieses Geräts und anderer Optionen.
- **Befehlsreferenz (Website)**  
Beschreibt das Befehlsformat zum Einrichten dieses Geräts sowie ein Verwendungsbeispiel.
- **Technische Referenz (Website)**  
Beschreibt die Funktionen dieses Geräts ausführlich.
- **Hilfe zum „Webeinstellungsbildschirm“**  
Beschreibt die einzelnen Einstellungen ausführlich.

Folgende Software liegt bereit.

- **Yamaha LAN Monitor**

Diese Software bietet Einsicht über die Informationen dieses Geräts, das gesamte Netzwerk, einschließlich aller Dante-Geräte im Dante-Netzwerk, sowie das Benutzerhandbuch der Software.

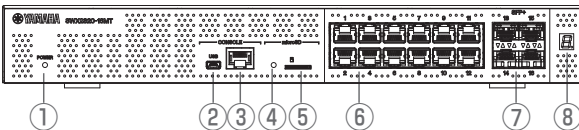
Die Software kann von der folgenden Website heruntergeladen werden:

<https://www.yamahaproaudio.com/>

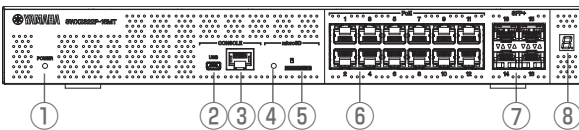
# Bedienungselemente und Anschlüsse

## Frontblende

SWX2320-16MT



SWX2322P-16MT



### Hinweis

Die zahlreichen Lüftungsöffnungen auf der Vorderseite dienen zur Aufnahme von Außenluft.

#### ① **Netzanzeige POWER**

Leuchtet, wenn das Gerät mit Strom versorgt wird.

#### ② **mini-USB-Anschluss CONSOLE**

Dies ist ein Mini-USB-Anschluss zum Vornehmen von Einstellungen. Verbinden Sie ihn über ein USB-Kabel mit dem USB-Port eines Computers.

#### ③ **RJ-45-Anschluss CONSOLE**

Dies ist ein RJ-45-Anschluss zum Vornehmen von Einstellungen. Verwenden Sie ein Konsolenkabel RJ-45/DB-9 zum Anschließen an den RS-232C-Anschluss (COM-Port) Ihres Computers.

#### ④ **Anzeige microSD**

Zeigt den Verbindungsstatus und den Nutzungsstatus der microSD-Karte an.

#### ⑤ **microSD-Kartenschacht**

In diesen Kartenschacht kann eine microSD-Karte eingesetzt werden.



## ⑥ LAN-Anschlüsse

Diese Anschlüsse unterstützen 100BASE-TX, 1000BASE-T, 2.5GBASE-T, 5GBASE-T und 10GBASE-T. SWX2322P-16MT-Anschlüsse unterstützen PoE-Stromversorgung. Sie unterstützen IEEE 802.3bt.

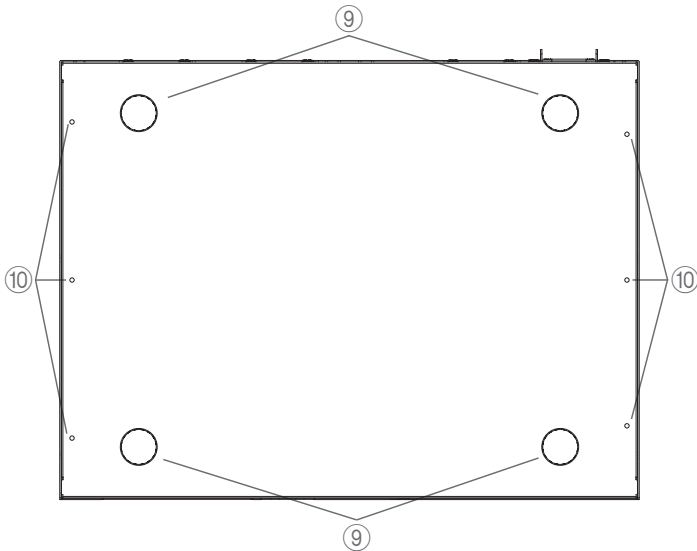
## ⑦ Steckplätze SFP+

Diese Steckplätze unterstützen 1000BASE-SX, 1000BASE-LX, 10GBASE-SR und 10GBASE-LR. Bringen Sie das SFP-Modul (separat erhältlich) und das Direktanschlusskabel (separat erhältlich) an.

## ⑧ Stack ID-Anzeige

Dies ist eine 7-Segment-Anzeige für die Stack ID, wenn eine Stack-Verbindung verwendet wird.

## Unterseite



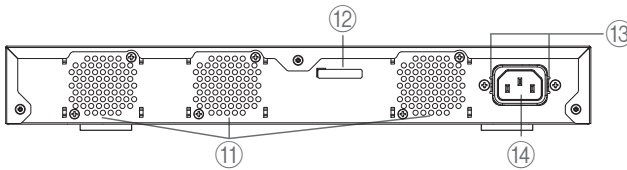
### ⑨ Anbringungsstellen für Gummifüße

Zum Aufstellen des Geräts auf einer ebenen Fläche an diesen Stellen die Gummifüße anbringen.

### ⑩ Bohrungen für Wandmontage-Zubehör

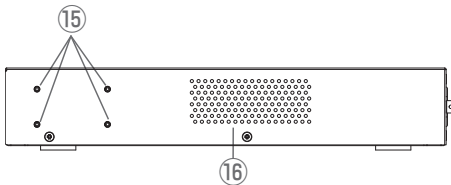
Bei Wand- oder Deckenmontage wird an diesen Bohrungen das zugehörige Wandmontage-Zubehör befestigt.

## Rückwand



- ⑪ **Lüftungsöffnungen**  
Durch diese Öffnungen führen Lüfter Warmluft aus dem Inneren des Geräts ab.
- ⑫ **Seriennummer**  
Die Angabe entspricht dem Typenschild.
- ⑬ **Bohrungen für Netzstecker-Sicherung**  
Die zugehörige (C-förmige) Netzstecker-Sicherung kann hier befestigt werden.
- ⑭ **Netzeingangsbuchse (dreipoliger Anschluss, Typ C14)**  
Schließen Sie hier das zugehörige Netzkabel an.

## Seitenwand



- ⑮ **Bohrungen für Rack-Montagezubehör**  
Bei Montage in ein 19-Zoll-Rack (1U) wird an diesen Bohrungen das zugehörige Rack-Montagezubehör befestigt.
- ⑯ **Lüftungsöffnungen**  
Durch diese Lüftungsöffnungen saugt der Lüfter Außenluft ein.

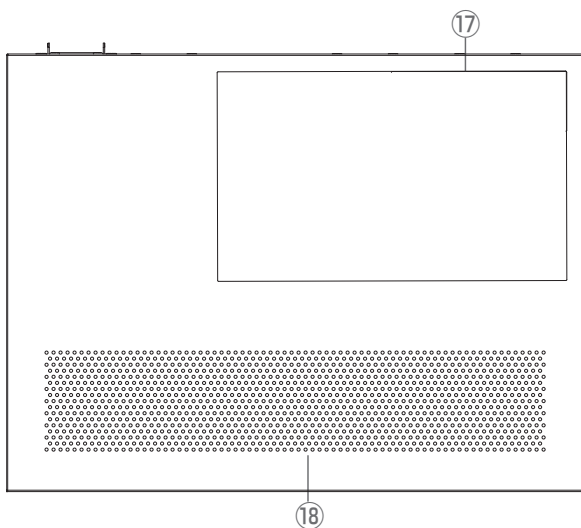


### WARNUNG

**Blockieren Sie die Lüftungsöffnungen nicht und stellen Sie keine Gegenstände in ihrer Nähe auf.**

Dies könnte zu einem Brand oder zu Fehlfunktionen führen.

## Oberseite



### 17 Typenschild

Hier finden sich Modellname, Seriennummer, MAC-Adresse usw. dieses Geräts.

### 18 Lüftungsöffnungen

Durch diese Lüftungsöffnungen tritt Außenluft ein.

# Anhang

## Technische Daten der Hardware

Gegenstand		SWX2320-16MT	SWX2322P-16MT
LAN-Anschlüsse	Standard	IEEE802.3 (100BASE-TX/ 1000BASE-T/ 2.5GBASE-T/ 5GBASE-T/ 10GBASE-T)	
	Anzahl Anschlüsse	12	
	Kommunikationsmodus	Autonegotiation	
	Anschluss	RJ-45	
	Polarität	Automatische Erkennung von Straight/ Crossover-Kabeln, oder festgelegt auf Straight	
PoE	Anzahl Anschlüsse	—	12
	Standard	—	IEEE 802.3bt Typ 4 (Klasse 0–8)
	Stromversorgung	—	Alternative A / Alternative B
	Maximale Leistung	—	90 W je Anschluss, 250 W insgesamt
	Unterstützte PoE-fähige Geräte	—	PoE-fähige Geräte, die folgende Standards unterstützen:  IEEE 802.3af IEEE 802.3at IEEE 802.3bt
Steckplätze SFP+	Standard	IEEE802.3z (1000BASE-SX/ 1000BASE-LX) IEEE802.3ae (10GBASE-SR/ 10GBASE-LR)	
	Anzahl Steckplätze	4	
Abmessungen ohne Vorsprünge und GummifüÙe		330 mm(B) × 44 mm(T) × 250 mm(H)	
Gewicht (ohne zugehörige Gegenstände)		2,7 kg	2,9 kg

# Anhang

Gegenstand		SWX2320-16MT	SWX2322P-16MT
Spannung und Frequenz der Stromversorgung		100 – 240 VAC, 50/60 Hz	
Maximale Leistungsaufnahme		84 W	385 W
Anschluss CONSOLE	Standard	RS-232C, USB 2.0	
	Anschluss	RJ-45, USB-Mini B (5-polig)	
	Datenübertragungsgeschwindigkeit	9600 (Vorgabewert)/ 19200/ 38400/ 57600/ 115200 Bit/s	
microSD-Kartenschacht	Standard	microSD/ microSDHC	
	Dateisystem	FAT16/ FAT32	
Anzeigen		POWER, microSD, LAN (LINK/ ACT SPEED), SFP+ (LINK/ ACT, SPEED)	
Anzahl Lüfter		3	
MAC-Adresse		Auf dem Typenschild auf der Oberseite des Geräts angegeben	
Betriebsumgebungsbedingungen	Umgebungstemperatur	0 – 50 °C	
	Umgebungsfeuchtigkeit	15 – 80% (nichtkondensierend)	
Lagerumgebungsbedingungen	Umgebungstemperatur	–20 – 60 °C	
	Umgebungsfeuchtigkeit	10 – 90% (nichtkondensierend)	

# PRÉCAUTIONS D'USAGE

Veillez lire attentivement ces précautions avant de continuer.

## Veillez à suivre les instructions.

Lisez attentivement et observez les précautions suivantes pour éviter les blessures corporelles et les dommages de biens personnels.

Après avoir lu attentivement ce document, veuillez le conserver dans un endroit accessible à tout moment par toute personne utilisant le produit.

- Pour tout travail d'inspection ou de réparation, adressez-vous à un des centres de service clientèle suivants.
  - Le point de vente où vous avez acheté le produit
  - Un revendeur Yamaha
- Ce produit est conçu pour une utilisation dans un cadre professionnel général. Ne l'utilisez pas dans des domaines nécessitant un haut degré de fiabilité en termes de vies humaines.
- Veuillez noter que Yamaha ne saurait être tenu responsable des pertes résultant d'une utilisation inappropriée ou d'une modification non autorisée du produit.



## AVERTISSEMENT

**Ces précautions vous avertissent de la possibilité de blessures graves ou mortelles pour vous-même ou pour d'autres personnes.**

### En cas d'anomalie

- Si l'une des anomalies suivantes se produit, coupez immédiatement l'alimentation.
    - Le cordon ou la fiche d'alimentation est endommagé(e).
    - Le produit émet des odeurs, du bruit ou de la fumée inhabituels.
    - Un objet ou de l'eau est tombé(e) dans le produit.
    - Des fissures ou d'autres dommages apparaissent sur le produit.
    - Le ventilateur de refroidissement s'est arrêté.
- Suivez les étapes ci-dessous pour couper l'alimentation.
- Débranchez la fiche du cordon d'alimentation de la prise secteur.
- Continuer à utiliser le produit tel quel peut provoquer un incendie, une électrocution ou un dysfonctionnement. Faites immédiatement inspecter ou réparer le produit.

## Alimentation

- N'endommagez pas le cordon d'alimentation.
    - Ne placez pas le cordon d'alimentation à proximité de sources de chaleur comme un chauffage.
    - Ne forcez pas pour plier ou modifier le cordon d'alimentation.
    - N'endommagez pas le cordon d'alimentation.
    - Ne placez pas d'objets lourds sur le cordon d'alimentation.
    - N'agrafez pas le cordon d'alimentation.
- L'utilisation d'un cordon d'alimentation effiloché avec le fil central exposé peut provoquer un incendie, une électrocution ou un dysfonctionnement.
- En cas de foudre ou d'orage, ne touchez pas ce produit, la fiche d'alimentation ou le cordon d'alimentation. Vous risqueriez autrement d'être électrocuté.
  - Utilisez la tension spécifiée pour ce produit. L'utilisation d'une tension incorrecte peut provoquer un incendie, une électrocution ou un dysfonctionnement.
  - Veillez à utiliser le cordon d'alimentation fourni.
  - N'utilisez pas les accessoires fournis suivants avec d'autres appareils.
    - Cordon d'alimentation
- Sinon, cela pourrait causer un incendie, des brûlures ou un dysfonctionnement.
- Vérifiez périodiquement l'état de la fiche du cordon d'alimentation, dépoussiérez-la et nettoyez-la en prenant soin de retirer toutes les impuretés qui pourraient s'être accumulées. Autrement, un incendie ou une électrocution sont possibles.
  - Veillez à insérer complètement la fiche du cordon d'alimentation dans une prise secteur. Sinon, cela pourrait causer un court-circuit provoquant une électrocution, un incendie ou un dysfonctionnement.
  - Insérez la fiche du cordon d'alimentation dans une prise secteur visible et facilement accessible.
  - Si vous prévoyez de ne pas utiliser le produit pendant une période prolongée, retirez la fiche du cordon d'alimentation de la prise secteur. Sinon, cela pourrait causer un incendie ou un dysfonctionnement.
- (modèle SWX2322P-16MT uniquement)
- Si vous comptez connecter un dispositif alimenté conforme aux normes IEEE802.3af, IEEE802.3at et/ou IEEE802.3bt, utilisez un câble Ethernet prenant en charge l'alimentation PoE. Le non-respect de cette précaution pourrait causer un incendie ou un dysfonctionnement.
  - Ne groupez pas en faisceau un nombre important de câbles LAN fournissant l'alimentation PoE. Les températures élevées dans le faisceau pourraient causer un incendie, une défaillance ou un dysfonctionnement. Pour éviter que la chaleur dans le faisceau ne dépasse la limite de température des câbles, limitez le nombre de câbles groupés en faisceau. Le SWX2322P-16MT doit être connecté uniquement à des réseaux PoE sans routage vers l'extérieur. Sinon, cela pourrait causer un dysfonctionnement ou un incendie.

## Connexions

---

- Insérez la fiche du cordon d'alimentation dans une prise secteur appropriée raccordée à la terre. Si l'appareil n'est pas correctement mis à la terre, cela pourrait causer une électrocution, un incendie ou un dysfonctionnement.

## Démontage interdit

---

- Ne modifiez ni ne démontez ce produit. Sinon, cela pourrait causer un incendie, une électrocution, des blessures ou un dysfonctionnement.

## Avertissement relatif à la présence d'eau

---

- N'utilisez pas ce produit dans des conditions humides, comme une salle de bain ou un endroit pluvieux à l'extérieur. Si vous renversez un liquide sur ce produit, vous risquez de provoquer un incendie, une électrocution ou un dysfonctionnement.
- Ne placez pas de récipients (tels que des vases ou des flacons de médicaments) contenant des liquides sur ce produit. Si vous renversez un liquide sur ce produit, vous risquez de provoquer un incendie, une électrocution ou un dysfonctionnement.
- N'insérez pas la fiche du cordon d'alimentation dans la prise secteur et ne l'en retirez pas avec les mains mouillées. Ne manipulez pas ce produit en ayant les mains mouillées. Sinon, cela pourrait causer une électrocution ou un dysfonctionnement.

## Prévention contre les incendies

---

- Ne manipulez pas de flammes nues à proximité de ce produit. Autrement, un incendie est possible.

## Manipulation

---

- Ne laissez pas tomber ce produit et n'exercez pas une pression excessive dessus. Sinon, cela pourrait causer un incendie, une électrocution ou un dysfonctionnement.

## Pile de protection

---

- Ne remplacez pas la pile de protection vous-même. Sinon, cela pourrait causer une explosion ou un dysfonctionnement du produit. Si la pile doit être remplacée, contactez votre revendeur Yamaha et demandez à un technicien Yamaha qualifié de la remplacer.
- N'essayez jamais de démonter une pile. Si la pile fuit et son contenu se retrouve sur vos mains ou vos yeux, cela pourrait provoquer la cécité ou des brûlures chimiques.
- Ne jetez jamais une pile dans le feu. N'exposez pas la pile à des endroits soumis à une pression atmosphérique extrêmement basse, à des températures extrêmes (comme à la lumière directe du soleil ou près d'un feu) ni à une poussière ou une humidité extrême. Cela pourrait causer une explosion de la pile et provoquer un incendie ou des blessures.
- Ne placez pas ce produit dans un endroit où la pression atmosphérique est extrêmement basse. Cela pourrait causer une explosion de la pile et provoquer un incendie ou des blessures.



## ATTENTION

---

### Les consignes de sécurité attirent l'attention de l'utilisateur sur des risques de blessures.

## Alimentation

---

- Si la fiche du cordon d'alimentation insérée dans la prise secteur bouge ou est lâche, n'utilisez pas cette prise. Autrement, un incendie, une électrocution ou des brûlures sont possibles.
- Lors du retrait de la fiche du cordon d'alimentation du produit ou d'une prise, tenez toujours la fiche elle-même et non le cordon. Autrement, le cordon d'alimentation peut être endommagé, provoquant un incendie ou une électrocution.

## Installation

---

- Ne placez pas ce produit dans une position instable ou dans un endroit soumis à des vibrations. Sinon, le produit risque de tomber ou de basculer, ce qui pourrait entraîner des blessures, un dysfonctionnement ou un endommagement.
- Ne bloquez pas la dissipation thermique de ce produit lors de son installation.
  - Ne recouvrez pas le produit d'un tissu ou d'une nappe.
  - N'installez pas le produit sur un tapis ou une moquette.
  - Ne bloquez pas les orifices d'aération (destinés à l'admission d'air, à la dissipation thermique et au flux d'air produit par les ventilateurs).
  - N'utilisez pas le produit dans un lieu clos, mal aéré. Une aération insuffisante du produit pourrait causer une surchauffe à l'intérieur du produit posant un risque d'incendie ou de dysfonctionnement.
- Installez ce produit conformément aux instructions décrites dans les manuels suivants.
  - Guide d'utilisation (sur notre site internet)
- N'empilez pas ce produit au-dessus ni en dessous d'autres appareils, car cela pourrait causer un incendie ou des brûlures.
- N'installez pas le produit dans un endroit où il pourrait entrer en contact avec de l'air à haute teneur en sel, des gaz corrosifs, des vapeurs ou des fumées huileuses. Sinon, le produit risque de tomber ou de basculer, ce qui pourrait entraîner des blessures, un dysfonctionnement ou un endommagement.
- Avant de déplacer ce produit, veillez à retirer tous les câbles connectés. Sinon, quelqu'un risque de se prendre le pied ou la main dans les câbles, causant le renversement ou la chute de l'appareil et d'éventuels blessures, dysfonctionnements ou endommagements.
- Confiez le montage du produit sur un mur, un plafond ou en rack à un technicien qualifié. Si nécessaire, adressez-vous au point de vente où vous avez acheté ce produit ou à une entreprise spécialisée dans ce genre de travaux. Une installation incorrecte peut provoquer des blessures, un endommagement ou un dysfonctionnement du produit.



- Confirmez que l'installation une fois finie est sûre et solide. De plus, procédez périodiquement à des inspections de sécurité. Le non-respect de cette consigne pour provoquer la chute des appareils et entraîner des blessures.
- Pour le montage horizontal du produit, veillez à fixer les pieds en caoutchouc. Sinon, cela pourrait causer un incendie ou des brûlures.  
Assurez-vous que le montage final est sûr et sécurisé. Veillez en outre à effectuer régulièrement des contrôles de sécurité. Le non-respect de cette précaution pourrait causer la chute des dispositifs et entraîner des blessures.

## Connexions

---

- Si vous prévoyez de connecter des appareils externes, commencez par lire attentivement le mode d'emploi de chaque appareil et reliez-les conformément aux instructions.  
Si vous ne suivez pas les instructions correctement, cela pourrait causer des blessures ou un dysfonctionnement du produit.

## Entretien

---

- Avant de nettoyer le produit, veillez à retirer la fiche du cordon d'alimentation de la prise secteur.  
Vous risqueriez autrement d'être électrocuté.

## Manipulation

---

- N'insérez pas vos mains ou vos doigts dans tout interstice sur ce produit.  
Autrement, des blessures sont possibles.
- Ne laissez pas tomber un corps étranger, comme un morceau de métal ou de papier, dans un interstice de ce produit.  
Sinon, cela pourrait causer un incendie, une électrocution ou un dysfonctionnement.
- Gardez les petites pièces hors de la portée des jeunes enfants.  
Autrement, ils pourraient les avaler accidentellement.
- Ne soumettez pas ce produit à la force excessive suivante.
  - Faire reposer tout votre poids sur ce produit
  - Placer des objets lourds sur ce produit
  - Empiler ce produit
  - Appliquer une force excessive sur les touches et les connecteurs E/S
  - Se suspendre à ce produit
  - S'appuyer contre ce produitSinon, cela pourrait causer des blessures, une électrocution, un dysfonctionnement ou un endommagement du produit.
- Ne tirez pas sur les câbles connectés.  
Sinon, le produit risque de tomber ou de basculer, ce qui pourrait entraîner des blessures, un dysfonctionnement ou un endommagement.

# Précautions d'utilisation

## AVIS

---

Suivez les précautions ci-dessous pour éviter tout dysfonctionnement et tout dommage à ce produit et pour éviter la perte de données.

### Installation

---

- Si vous remarquez du bruit, changez l'emplacement ou l'orientation du produit, ou modifiez son environnement d'utilisation. Selon l'environnement dans lequel vous utilisez le produit, un téléphone, une radio ou un téléviseur peut générer du bruit.
- N'installez pas ce produit dans un endroit soumis à :
  - Une exposition directe au soleil
  - Une température très élevée ou très basse
  - Une poussière excessiveSinon, cela pourrait causer un dysfonctionnement, une déformation ou une altération de la finition du produit.
- N'installez pas ce produit dans un endroit où de la condensation peut se former en raison de changements rapides et importants de la température ambiante. L'utilisation de ce produit en présence de condensation peut causer un dysfonctionnement. Si vous suspectez la présence de condensation sur ou à l'intérieur de ce produit, laissez-le reposer plusieurs heures sans le mettre sous tension. Vous pourrez commencer à utiliser le produit une fois la condensation complètement séchée.
- N'installez pas ce produit dans un endroit soumis à des ondes électromagnétiques. Autrement, un dysfonctionnement est possible.
- N'installez pas les câbles de télécommunication à proximité du cordon d'alimentation. Autrement, une tension élevée peut être induite, entraînant un dysfonctionnement.
- N'installez pas le produit avec tout kit de montage mural ou en rack autre que ceux fournis avec le produit.

### Connexions

---

- Ne connectez pas directement ce produit à un réseau Wi-Fi public et/ou à Internet. Connectez ce produit à Internet uniquement via un routeur doté de dispositifs de protection par mots de passe forts. Consultez le fabricant de votre routeur pour obtenir des informations sur les bonnes pratiques en matière de sécurité.
- Ne connectez aucun appareil qui génère du bruit sur la même ligne d'alimentation que ce produit. Cela pourrait provoquer des dommages ou des dysfonctionnements.
- Si vous prévoyez d'utiliser ce produit sur un réseau 1000BASE-T / 2.5GBASE-T / 5GBASE-T, utilisez des câbles LAN de catégorie 5 Enhanced (CAT5e) ou supérieure. Si vous prévoyez d'utiliser ce produit sur un réseau 10GBASE-T, utilisez des câbles de catégorie 6 (CAT6) ou supérieure. Cependant, si vous comptez utiliser ce produit sur un réseau 2.5GBASE-T / 5GBASE-T / 10GBASE-T, la distance maximum de transmission doit être inférieure à la valeur standard en raison de l'influence des câbles adjacents et du bruit externe.

Pour des détails, voyez le « Guide d'utilisation » sur le site internet de Yamaha.

- Si vous effectuez la connexion avec un câble de liaison directe ou un câble STP, vérifiez que le potentiel de terre des appareils connectés est identique. (modèle SWX2322P-16MT uniquement)
- Si un câble fournissant l'alimentation PoE est débranché d'un port LAN, attendez au moins 5 secondes avant de le rebrancher. Sinon, cela risquerait de provoquer une défaillance ou un dysfonctionnement.

### Manipulation

---

- Ne placez pas de produits en vinyle, en plastique ou en caoutchouc sur ce produit. Autrement, le panneau peut être décoloré ou se détériorer.
- Avant de toucher ce produit, éliminez l'électricité statique de votre corps ou de vos vêtements. Sinon, l'électricité statique pourrait causer un dysfonctionnement du produit.
- Ne touchez pas l'intérieur des connecteurs avec vos doigts ou des objets métalliques. Cela pourrait provoquer un dysfonctionnement ou un mauvais contact.
- Lisez d'abord le Guide d'utilisation de ce produit disponible sur notre site internet, puis ensuite seulement connectez uniquement les modules SFP spécifiés (laser de classe 1; vendus séparément) ou les câbles de liaison directe (vendu séparément) au logement SFP+. Le fonctionnement ne peut pas être garanti si un module SFP ou un câble de liaison directe autre que ceux indiqués ci-dessus est installé.
- Fixez le pare-poussière sur les logements SFP+ non utilisés. Sinon, des objets étrangers risquent de pénétrer à l'intérieur et de provoquer des dysfonctionnements. Rangez le pare-poussière dans un lieu sûr pour ne pas risquer de le perdre.
- Si le retrait du câble de liaison directe (vendu séparément) est difficile, voyez dans le Guide d'utilisation du produit (disponible sur notre site internet) comment le débrancher. Ne forcez pas sur le câble de liaison directe pour le débrancher car cela pourrait endommager ce produit ou le câble.

### Entretien

---

- Utilisez un chiffon doux et sec pour nettoyer ce produit. N'utilisez pas de benzine, de diluant, de détergent ou de chiffon chimique pour nettoyer la surface du produit. Autrement, la surface peut se décolorer ou se détériorer.

### Mise au rebut ou transfert

---

- Avant de transférer la propriété de ce produit ou de le mettre au rebut, réinitialisez les réglages du produit. Si vous transférez la propriété de ce produit ou le mettez au rebut sans réinitialiser les réglages, vos données personnelles courent le risque d'être volées par un tiers.

# Informations importantes

## NOTE

Cette section décrit les précautions à observer pendant l'utilisation, les restrictions fonctionnelles et les informations supplémentaires qui peuvent vous être utiles.

### Caractéristiques du produit

- Yamaha apporte en permanence des améliorations et des mises à jour au logiciel inclus dans ce produit. Vous pouvez télécharger la dernière version du logiciel du site internet de Yamaha.
- Utilisez un produit laser de Classe 1 doté d'un émetteur-récepteur à fibre optique.

Ce produit est de classe A. L'utilisation de ce produit dans un environnement résidentiel peut provoquer des interférences radio.

### Contenu de ce document

- Les noms de société et les noms de produit mentionnés dans ce document sont des marques commerciales et des marques déposées de leurs sociétés respectives.
- Le contenu de ce document s'applique aux dernières caractéristiques techniques connues à la date de publication. Vous pouvez télécharger la dernière version du site Web Yamaha.
- Toute copie non autorisée de ce document en tout ou en partie est interdite.

### Accord de licence de logiciel

Le numéro de révision du microprogramme du produit peut être mis à jour. Le fait de mettre à jour la révision du microprogramme constitue une approbation de l'accord de licence de logiciel du produit réseau Yamaha. Avant de mettre à jour la révision du microprogramme, veuillez à lire attentivement l'accord de licence de logiciel de produit réseau Yamaha.

Si vous n'approuvez pas les conditions stipulées dans l'accord de licence de logiciel de produit réseau Yamaha, ne faites pas la mise à jour de la révision du microprogramme. Même en cas de négligence, Yamaha décline toute responsabilité pour toutes pertes subies par le client suite à l'utilisation du logiciel, sauf si une telle exclusion est interdite par une loi ou une réglementation en vigueur.

### Accord de licence de logiciel de produit réseau Yamaha

<https://www.rtpro.yamaha.co.jp/RT/docs/firmware/license/LICENSE>

### Logiciel open source utilisé par ce produit

Visitez le site Web suivant pour consulter l'accord de licence pertinent.

<https://www.yamahaproaudio.com/>

### Mise au rebut ou transfert

- Si vous envisagez de transférer la propriété de ce produit, incluez ce document et les accessoires fournis avec le produit.
- Suivez les règles des autorités locales pour mettre au rebut ce produit et ses accessoires.
- Suivez les règles des autorités locales pour mettre au rebut les piles usagées. Ce produit utilise une pile au lithium pour conserver l'alimentation de la fonction horloge.

### Plaque signalétique de ce produit

Le numéro de modèle, le numéro de série, l'alimentation requise, etc., se trouvent sur ou près de la plaque signalétique du produit, située dans la partie supérieure de l'unité. Notez le numéro de série dans l'espace fourni ci-dessous et conservez ce manuel en tant que preuve permanente de votre achat afin de faciliter l'identification du produit en cas de vol.

**N° de modèle**

**N° de série**

(1003-M06 plate top fr 01)

# Introduction

---

Nous vous remercions d'avoir choisi ce produit Yamaha.

- Veuillez avant toute chose à lire les « Précautions » fournies dans un document séparé.
- Pour une utilisation correcte et sûre du produit, veuillez à suivre les avertissements et les consignes de sécurité de ce manuel.
- Conservez ce manuel en lieu sûr pour ne pas risquer de le perdre.

## Informations disponibles en ligne

Pour des informations sur les accessoires en option, les commandes utilisées sur l'appareil et ses données techniques, surfez sur le site internet de Yamaha.

<https://www.yamahaproaudio.com/>

## Éléments fournis

Vérifiez que les éléments suivants sont présents :

- À lire en premier (le présent document) : 1 pièce
- Cordon d'alimentation : 1 pièce
- Pince pour cordon d'alimentation (utilisée uniquement pour le cordon d'alimentation spécifique au produit fourni) : 1 pièce
- Pare-poussières (préinstallés sur les logements SFP+ à la livraison du produit) : 4 pièces
- Pieds (en caoutchouc) : 4 pièces
- Matériel de montage en rack de 19 pouces : 2 pièces
- Matériel de montage mural : 2 pièces
- Vis (M3 x 8L) 8 pièces

### Note

Le diamètre du filet de la vis est de 3,0 mm, le diamètre de la tête de vis est de 5,5 mm et la longueur de la vis est de 8,0 mm.

## Éléments vendus séparément

Vous trouverez des informations sur notre site internet.

Veillez à lire les manuels des autres produits utilisés ainsi que le guide d'utilisation de ce produit avant l'utilisation.

## Logiciels et documents associés

Les manuels suivants ont été rédigés en fonction d'utilisations spécifiques de ce produit. Lisez le manuel dédié à l'utilisation que vous comptez faire de ce produit.

- À lire en premier (le présent document)  
Décrit les précautions d'utilisation de ce produit. Veillez à lire ce document avant l'utilisation.
- Guide d'utilisation (site internet)  
Décrit l'installation, les connexions et réglages de ce produit ainsi que d'autres options.
- Références des commandes (site internet)  
Décrit le format des commandes de paramétrage de ce produit et fournit un exemple d'utilisation.
- Références techniques (site internet)  
Fournit des informations détaillées sur les caractéristiques de ce produit.
- Aide pour « l'écran des paramètres internet »  
Fournit une description détaillée de chaque paramètre.

Le logiciel suivant est disponible.

- **Yamaha LAN Monitor**

Cette application permet de contrôler les informations de cette unité ainsi que du réseau entier, y compris tous les dispositifs Dante sur le réseau Dante, ainsi que le guide d'utilisation de cette application.

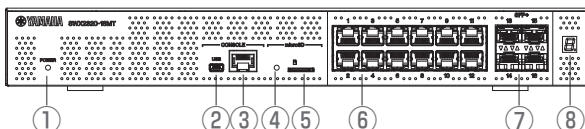
Le logiciel décrit ci-dessus peut être téléchargé sur le site Web suivant.

<https://www.yamahaproaudio.com/>

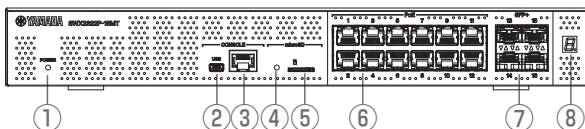
# Commandes et connecteurs

## Panneau avant

### SWX2320-16MT



### SWX2322P-16MT



## Note

Les nombreux orifices sur le panneau avant servent à la ventilation du produit.

### ① Voyant POWER

S'allume lorsque l'unité est sous tension.

### ② Port mini-USB CONSOLE

Ce port mini-USB permet d'effectuer des réglages. Servez-vous d'un câble USB pour le relier au port USB d'un ordinateur.

### ③ Port RJ-45 CONSOLE

Ce port RJ-45 permet d'effectuer des réglages. Servez-vous d'un câble console de type RJ-45/DB-9 pour relier ce port au connecteur RS-232C (port COM) de l'ordinateur.

### ④ Indicateur microSD

Indique l'état de connexion et d'utilisation de la carte microSD.

### ⑤ Logement microSD

Une carte microSD peut être insérée dans ce logement.

## ⑥ Ports LAN

Ces ports prennent en charge les normes 100BASE-TX, 1000BASE-T, 2.5GBASE-T, 5GBASE-T et 10GBASE-T. Les ports SWX2322P-16MT prennent en charge l'alimentation PoE. Ils sont conformes à la norme IEEE 802.3bt.

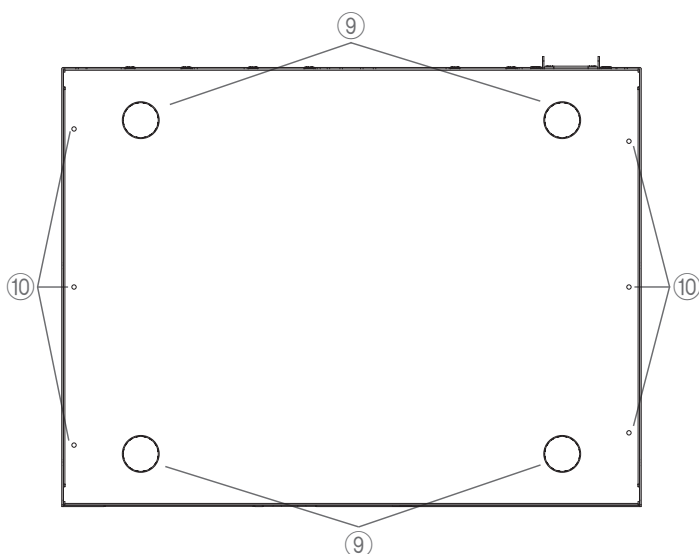
## ⑦ Logements SFP+

Ces logements prennent en charge les normes 1000BASE-SX, 1000BASE-LX, 10GBASE-SR et 10GBASE-LR. Installez le module SFP (vendu séparément) et branchez le câble de liaison direct (vendu séparément).

## ⑧ Indicateur Stack ID

Cet afficheur à 7 segments indique l'ID de la pile lorsque la connexion en pile est utilisée.

## Face inférieure



### ⑨ Guides de montage des pieds en caoutchouc

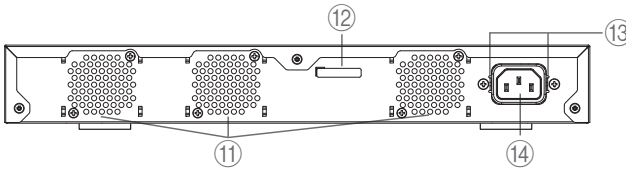
Ces guides repèrent l'emplacement de montage des pieds en caoutchouc utilisés pour poser l'unité sur une surface de niveau.

### ⑩ Trous de fixation pour l'accessoire de montage mural

Ces orifices servent à fixer l'accessoire de montage mural fourni pour installer l'unité sur un mur ou un plafond.



## Face arrière



### 11 Orifices de ventilation

Ces orifices servent à évacuer la chaleur produite à l'intérieur de l'appareil via les ventilateurs.

### 12 Numéro de série

Ce numéro figure aussi sur l'étiquette du produit.

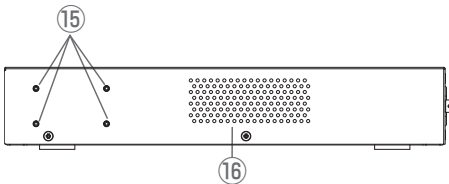
### 13 Trous de fixation de la pince pour cordon d'alimentation

La pince pour cordon d'alimentation fournie (en forme de C) peut être fixée ici.

### 14 Prise d'alimentation interne (connecteur à trois broches, de type C14)

Insérez le cordon d'alimentation fourni ici.

## Panneau latéral



### 15 Trous de fixation pour l'accessoire de montage en rack

Ces orifices servent à fixer l'accessoire de montage en rack fourni pour installer ce produit dans un rack de 19 pouces (1U).

### 16 Orifices d'aération

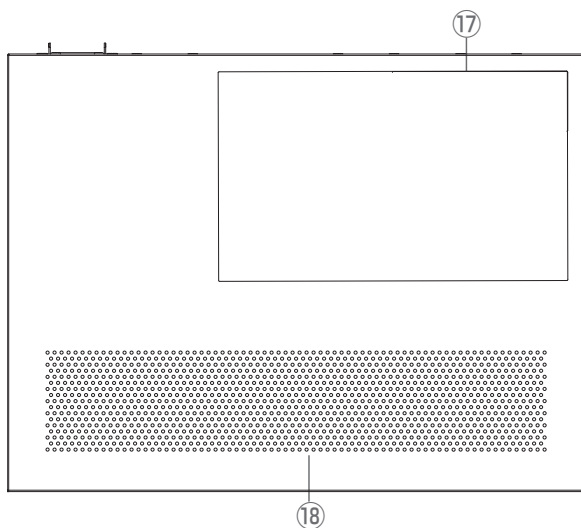
Les trous dans ce produit à proximité des ventilateurs servent d'orifices d'aération pour la prise d'air externe.



### AVERTISSEMENT

**N'obstruez pas les orifices d'aération et ne placez aucun objet à proximité.**  
Cela risquerait de provoquer un incendie ou des dysfonctionnements.

## Face supérieure



### ⑰ Étiquette du produit

Cette étiquette indique le nom du modèle, le numéro de série, l'adresse MAC, etc. de l'appareil.

### ⑱ Orifices d'aération

Les trous dans ce produit servent d'orifices d'aération pour la prise d'air externe.

# Annexe

## Caractéristiques techniques du matériel

Élément		SWX2320-16MT	SWX2322P-16MT
LAN, ports	Norme	IEEE802.3 (100BASE-TX/ 1000BASE-T/ 2.5GBASE-T/ 5GBASE-T/ 10GBASE-T)	
	Nombre de ports	12	
	Mode de communication	Auto-négociation	
	Connecteur	RJ-45	
	Polarité	Détection automatique droit/ croisé, ou fixe linéaire	
PoE	Nombre de ports	—	12
	Norme	—	IEEE 802.3bt de type 4 (classe 0 - 8)
	Système d'alimentation	—	Alternative A / Alternative B
	Alimentation maximum	—	90 W / port, 250 W / unité entière
	Dispositifs compatibles alimentés via PoE	—	Dispositifs alimentés via PoE satisfaisant aux normes suivantes : IEEE 802.3af IEEE 802.3at IEEE 802.3bt
Logements SFP+	Norme	IEEE802.3z (1000BASE-SX/ 1000BASE-LX) IEEE802.3ae (10GBASE-SR/ 10GBASE-LR)	
	Nombre de logements	4	
Dimensions sans les protubérances et les pieds		330 mm(L) × 44 mm(P) × 250 mm(H)	
Poids (sans les éléments fournis)		2,7 kg	2,9 kg
Tension de l'alimentation et fréquence		100-240 V CA, 50/60 Hz	

## Annexe

Élément		SWX2320-16MT	SWX2322P-16MT
Consommation d'énergie maximale		84 W	385 W
CONSOLE, port	Norme	RS-232C, USB 2.0	
	Connecteur	RJ-45, USB mini-B (5 broches)	
	Vitesse de transmission des données	9600 (valeur par défaut) / 19200/ 38400/ 57600/ 115200 bit/s	
microSD, logement	Norme	microSD/ microSDHC	
	Système de fichiers	FAT16/ FAT32	
Indicateur		POWER, microSD, STACK ID, port LAN (LINK/ ACT, SPEED), port SFP+ (LINK/ ACT, SPEED)	
Nombre de ventilateurs		3	
Adresse MAC		Indiquée sur l'étiquette du produit sur le panneau supérieur de l'unité	
Conditions d'environnement de fonctionnement	Température ambiante	0 à 50 °C	
	Humidité ambiante	15 à 80% (sans condensation)	
Conditions d'environnement de stockage	Température ambiante	-20 à 60 °C	
	Humidité ambiante	10 à 90% (sans condensation)	

# PRECAUCIONES

Antes de continuar, lea estas precauciones de seguridad.

## Es importante seguir estas instrucciones

Lea y respete atentamente las siguientes precauciones para evitar lesiones o daños en los equipos.

Después de leer este documento detenidamente, guárdelo en un lugar al que cualquier persona que utilice el producto pueda acceder en todo momento.

- Si necesita una revisión o reparación del producto, póngase en contacto con el centro de atención al cliente siguiente.
  - La tienda en la que compró el producto
  - El distribuidor Yamaha
- Este producto está diseñado para ser utilizado como un equipo de oficina general. No lo utilice en ningún ámbito en el que se precise un alto nivel de fiabilidad en lo que respecta a vidas humanas.
- Tenga en cuenta que Yamaha no puede aceptar responsabilidad alguna por pérdidas derivadas de un uso inadecuado o una modificación no autorizada del producto.



## ADVERTENCIA

**Estas precauciones le alertan de la posibilidad de muerte o lesiones físicas graves sufridas por usted u otras personas.**

### Si observa cualquier anomalía

- Si se produce alguna de las siguientes anomalías, apague el dispositivo de inmediato.
    - El cable de alimentación o el enchufe están deteriorados.
    - El producto emite olor, ruido o humo inusuales.
    - Se ha caído dentro del producto un objeto o algo de agua.
    - Aparecen en el producto grietas u otros daños.
    - El ventilador de refrigeración se ha detenido.
- Siga los pasos indicados a continuación para apagar el dispositivo.
- Desenchufe el cable de alimentación de la toma de alimentación de CA.
- Seguir usando el producto tal cual puede provocar incendios, descargas eléctricas o un funcionamiento anómalo. Solicite una revisión o reparación de inmediato.

## Alimentación eléctrica

- No dañe el cable de alimentación.
    - No coloque el cable de alimentación cerca de fuentes de calor, como por ejemplo estufas.
    - No doble ni modifique el cable de alimentación por la fuerza.
    - No dañe el cable de alimentación.
    - No coloque objetos pesados sobre el cable de alimentación.
    - No grape el cable de alimentación.
- Usar un cable de alimentación deshilachado con los hilos expuestos puede provocar incendios, descargas eléctricas o un funcionamiento anómalo.
- Durante rayos o tormentas eléctricas, no toque este producto, el enchufe ni el cable de alimentación. De lo contrario, puede producirse una descarga eléctrica.
  - Utilice el voltaje especificado para este producto. El uso de un voltaje incorrecto puede provocar incendios, descargas eléctricas o un funcionamiento anómalo.
  - Asegúrese de utilizar el cable de alimentación suministrado.
  - No utilice los accesorios incluidos siguientes con otros dispositivos.
    - Cable de alimentaciónDe lo contrario, se puede provocar un incendio, quemaduras o un funcionamiento anómalo.
  - Compruebe periódicamente el cable de alimentación y quite la suciedad o el polvo que pudieran haberse acumulado. De lo contrario, pueden producirse un incendio o una descarga eléctrica.
  - Asegúrese de introducir por completo el enchufe del cable de alimentación en una toma de alimentación de CA. De lo contrario, podrían producirse descargas eléctricas, incendios o un funcionamiento anómalo provocados por cortocircuito.
  - Introduzca el enchufe del cable de alimentación en una toma de alimentación de CA que esté visible y a la que resulte sencillo acceder.
  - Si tiene previsto no utilizar la unidad durante un periodo de tiempo prolongado, desconecte el enchufe del cable de alimentación de las tomas de alimentación de CA. De lo contrario, pueden producirse incendios o un funcionamiento anómalo.
- (Solo para el modelo SWX2322P-16MT)
- Si tiene previsto conectar un dispositivo de alimentación que cumpla las normas IEEE802.3af, IEEE802.3at o IEEE802.3bt, utilice un cable Ethernet que admita la fuente de alimentación de PoE. Si no se sigue esta precaución, se puede producir un incendio o un fallo de funcionamiento.
  - No agrupe una gran cantidad de cables de LAN que suministren alimentación de PoE. Las temperaturas elevadas en los cables agrupados pueden provocar un incendio, fallos o problemas de funcionamiento. Para evitar que la temperatura de los cables supere la clasificación de temperatura de cables, limite el número de cables agrupados. El SWX2322P-16MT solo se debe conectar a redes con PoE que no estén dirigidas a la planta externa. De lo contrario, se puede producir un fallo de funcionamiento o un incendio.

## Conexiones

---

- Introduzca el enchufe del cable de alimentación en una toma de alimentación de CA que incorpore una conexión de tierra de protección.  
Si el dispositivo no se conecta a masa (tierra) correctamente, podrían producirse descargas eléctricas, incendios o un funcionamiento anómalo.

## No desmonte la unidad

---

- No modifique ni desmonte este producto.  
De lo contrario, podrían producirse incendios, descargas eléctricas, lesiones o un funcionamiento anómalo.

## Advertencia sobre el agua

---

- No utilice este producto en condiciones de agua o humedad, como en un baño o en una ubicación exterior expuesta al agua de lluvia.  
Si se vierte líquido en el producto, podrían producirse incendios, descargas eléctricas o un funcionamiento anómalo.
- No coloque sobre este producto ningún recipiente (como vasos o frascos de medicina) que contenga líquidos.  
Si se vierte líquido en el producto, podrían producirse incendios, descargas eléctricas o un funcionamiento anómalo.
- No introduzca la clavija del cable de alimentación ni la saque de una toma de alimentación de CA con las manos húmedas.  
De lo contrario, pueden producirse descargas eléctricas o un funcionamiento anómalo.

## Advertencia sobre el contacto con fuego

---

- No manipule llamas descubiertas cerca de este producto.  
De lo contrario, podría producirse un incendio.

## Manipulación

---

- No deje caer este producto ni lo someta a golpes fuertes.  
De lo contrario, podrían producirse incendios, descargas eléctricas o un funcionamiento anómalo.

## Pila de respaldo

---

- No cambie la pila de respaldo usted mismo.  
Si lo hace, podría producirse una explosión o un funcionamiento anómalo del producto. Si es necesario cambiar la pila, póngase en contacto con su distribuidor Yamaha y pídale al personal de servicio de Yamaha cualificado que la cambie.
- No desmonte la pila. Si el contenido de la pila entra en contacto con sus manos o sus ojos, puede provocar ceguera o quemaduras químicas.
- No tire la pila al fuego. No exponga la pila a condiciones extremas de baja presión de aire, frío o calor (como bajo la luz solar directa o en contacto con fuego), ni a humedad o polvo excesivos. De lo contrario, la pila podría explotar y provocar un incendio o lesiones.
- No coloque este producto en un lugar donde la presión de aire sea extremadamente baja. De lo contrario, la pila podría explotar y provocar un incendio o lesiones.



## ATENCIÓN

---

**Estas precauciones alertan al usuario de la posibilidad de lesiones físicas.**

## Alimentación eléctrica

---

- Si el enchufe del cable de alimentación insertado en la toma de alimentación de CA queda suelto o mal conectado, no utilice esa toma de corriente.  
De lo contrario, podrían producirse incendios, descargas eléctricas o quemaduras.
- Al retirar el enchufe del cable de alimentación del producto o de una toma de alimentación, tire siempre del enchufe y no del cable.  
De lo contrario, el cable de alimentación puede sufrir daños y producirse un incendio o una descarga eléctrica.

## Instalación

---

- No coloque este producto en una posición inestable ni sujeta a vibraciones.  
De lo contrario, el producto podría caerse o volcarse, y provocar lesiones, un funcionamiento anómalo u otros daños.
- No bloquee las salidas de disipación de calor de este producto al instalarlo.
  - No cubra el producto con un paño o un mantel.
  - No instale el producto sobre moquetas o alfombras.
  - No bloquee las rejillas (orificios para que entre el aire exterior, para la disipación de calor o para la expulsión de aire con los ventiladores).
  - No utilice el producto en un lugar demasiado pequeño o mal ventilado.

Una ventilación inadecuada puede provocar el sobrecalentamiento del interior del producto y causar incendios o un funcionamiento anómalo.

- Instale este producto según se explica en las instrucciones descritas en el siguiente manual.
  - Guía del usuario (en nuestro sitio web)
- No apile este producto encima o debajo de otros dispositivos, ya que se podrían producir incendios o quemaduras.
- No instale el producto en un lugar en el que pueda entrar en contacto con aire salado, gases corrosivos, gases grasientos o vapor.  
De lo contrario, el producto podría caerse o volcarse, y provocar lesiones, un funcionamiento anómalo u otros daños.
- Antes de mover este producto, desconecte todos los cables conectados.  
De lo contrario, los cables podrían enredarse en una mano o un pie y el producto podría caerse o volcarse, y provocar lesiones, un funcionamiento anómalo u otros daños.
- Durante el montaje en una pared, techo o bastidor, asegúrese de que alguien con conocimientos especializados se encargue de instalar el producto. En caso necesario, pregunte en la tienda donde adquirió el producto o en una empresa de construcción especializada.  
La instalación incorrecta puede provocar lesiones, daños o un funcionamiento anómalo de este producto.

- Confirme que la instalación finalizada sea segura. Asimismo, realice periódicamente inspecciones de seguridad. De no seguirse estas instrucciones, existe riesgo de que los dispositivos se caigan y provoquen lesiones.
- Si se instala horizontalmente, asegúrese de acoplar las patas de goma. En caso contrario, se pueden producir incendios o quemaduras.  
Confirme que la instalación terminada es segura. Lleve a cabo también las inspecciones de seguridad periódicamente. De lo contrario, los dispositivos podrían caerse y provocar lesiones.

## Conexiones

---

- Si tiene previsto conectar dispositivos externos, lea primero el manual de instrucciones de cada uno de ellos y conéctelos según se indica en las instrucciones. Si no sigue las instrucciones correctamente, podrían producirse lesiones o un funcionamiento anómalo.

## Mantenimiento

---

- Antes de limpiar el producto, desconecte el enchufe del cable de alimentación de la toma de alimentación de CA. De lo contrario, puede producirse una descarga eléctrica.

## Manipulación

---

- No introduzca las manos ni los dedos en los huecos de este producto.  
De lo contrario, podrían producirse lesiones físicas.
- No introduzca objetos extraños, como piezas de metal o papel, a través de las aberturas de este producto.  
De lo contrario, podrían producirse incendios, descargas eléctricas o un funcionamiento anómalo.
- Mantenga las piezas pequeñas fuera del alcance de los niños.  
De lo contrario, pueden tragárselas por accidente.
- No aplique la siguiente fuerza excesiva a este producto.
  - Dejar caer su peso sobre este producto
  - Colocar objetos pesados sobre este producto
  - Apilar este producto
  - Aplicar una fuerza excesiva a los botones o conectores de E/S
  - Colgarse de este producto
  - Apoyarse sobre este producto
 De lo contrario, podrían producirse lesiones, descargas eléctricas, un funcionamiento anómalo u otros daños.
- No tire de los cables conectados.  
De lo contrario, el producto podría caerse o volcarse, y provocar lesiones, un funcionamiento anómalo u otros daños.

# Precauciones de uso

## AVISO

---

Siga las precauciones indicadas a continuación para evitar fallos de funcionamiento y daños en este producto, y también para evitar la pérdida de datos.

### Instalación

---

- Si escucha ruidos, cambie la ubicación o la orientación del producto, o el entorno que lo rodea. Según el entorno en el que use el producto, un teléfono, radio o televisor pueden generar ruido.
- No instale este producto en un lugar que esté sometido a:
  - La luz solar directa
  - Temperaturas extremadamente altas o bajas
  - Polvo excesivoDe lo contrario, puede producirse un funcionamiento anómalo o el producto podría deformarse.
- No instale este producto en un lugar en el que pueda formarse condensación debido a cambios rápidos y radicales en la temperatura ambiente. El uso del producto en estas circunstancias puede producir un funcionamiento anómalo. Si existe un motivo que le lleva a pensar que puede haberse creado condensación sobre este producto o en el interior, manténgalo apagado durante varias horas. Podrá empezar a usar el producto cuando la condensación se haya secado por completo.
- No instale este producto en un lugar que esté sometido a ondas electromagnéticas fuertes. De lo contrario, podrían producirse fallos de funcionamiento.
- No instale cables de telecomunicaciones cerca del cable de alimentación. De lo contrario, podría inducirse alto voltaje y provocar fallos de funcionamiento.
- Instálelo usando exclusivamente el kit de montaje en pared o el kit de montaje en bastidor incluidos.

### Conexiones

---

- No conecte este producto directamente a una red Wi-Fi pública ni a Internet. Este producto solo se puede conectar a Internet mediante un router con protección de contraseña segura. Consulte al fabricante del router para obtener información sobre prácticas recomendadas de seguridad.
- No conecte ningún dispositivo que genere ruido al mismo tendido eléctrico que este producto. Si lo hiciera, podría causar daños o un funcionamiento anómalo.
- Si tiene previsto usar este producto en una red 1000BASE-T / 2.5GBASE-T / 5GBASE-T, utilice cables LAN de categoría mejorada 5 (CAT5e) o superior. Si tiene previsto usar este producto en una red 10GBASE-T, utilice cables de categoría 6 (CAT6) o superior. Sin embargo, si tiene previsto usar este producto en una red 2.5GBASE-T / 5GBASE-T / 10GBASE-T, la distancia máxima de transmisión resultante puede ser inferior al valor estándar debido a la influencia de los cables adyacentes y el ruido externo.  
Para obtener más información, consulte la «Guía del usuario» en el sitio web de Yamaha.

- Al realizar la conexión con un cable de conexión directa o un cable STP, asegúrese de que la conexión de tierra de los dispositivos esté en el mismo potencial.

(Solo para el modelo SWX2322P-16MT)

- Si un cable que suministra alimentación de PoE se desconecta de un puerto LAN, espere al menos 5 segundos antes de volver a conectarlo. De lo contrario, se puede producir un fallo o un problema de funcionamiento.

### Manipulación

---

- No coloque productos de vinilo, plástico o caucho sobre este producto.  
De lo contrario, el panel podría decolorarse o deteriorarse.
- Antes de tocar este producto, despréndase de la electricidad estática de su cuerpo o ropa.  
De lo contrario, la electricidad estática podría provocar un funcionamiento anómalo del producto.
- No toque el interior del terminal con los dedos ni con un objeto metálico.  
Si lo hace, se puede producir un funcionamiento anómalo o un contacto deficiente.
- Asegúrese de leer la Guía del usuario de este producto en el sitio web, y luego conecte únicamente los módulos SFP (láser de clase 1; se vende por separado) o cables de conexión directa (se venden por separado) especificados a la ranura de SFP+. No se garantiza el funcionamiento si se conecta algún módulo SFP o cable de conexión directa distintos de los especificados.
- Fije la cubierta antipolvo a las ranuras de SFP+ que no se utilicen.  
De no hacerlo, podrían entrar objetos extraños y provocar un funcionamiento anómalo. Conserve la cubierta antipolvo en un lugar seguro para que no se pierda.
- Si tiene dificultades para extraer el cable de conexión directa (se vende por separado), consulte la Guía del usuario (disponible en el sitio web) para desconectarlo. Extraer el cable por la fuerza puede dañar este producto o el cable de conexión directa.

### Mantenimiento

---

- Utilice un paño seco y suave para limpiar este producto. No utilice benceno, disolvente, detergente o un paño con productos químicos para limpiar la superficie del producto. De lo contrario, la superficie podría decolorarse o deteriorarse.

### Deshacerse de este producto o transferirlo

---

- Antes de deshacerse de este producto o transferirlo, restaure la configuración predeterminada de fábrica del producto. Si transfiriere la propiedad de este producto o deshace de él sin restaurar la configuración predeterminada de fábrica, un tercero podría robar sus datos personales.



# Información importante

## NOTA

En este apartado se describen las precauciones que se deben tener en cuenta durante el uso, las restricciones funcionales e información complementaria que podría resultarle de utilidad.

### Características del producto

- Yamaha mejora y actualiza continuamente el software incluido en este producto. Puede descargar el software más reciente del sitio web de Yamaha.
- Utilice un producto láser de clase I con transceptor de fibra óptica certificado.

Este es un producto de clase A. El uso de este producto en un entorno residencial puede provocar interferencias de radio.

### Contenido de este documento

- Los nombres de empresas y productos utilizados en este documento son marcas comerciales y marcas comerciales registradas de sus respectivos titulares.
- El contenido de este documento se aplica a las especificaciones más recientes en la fecha de publicación. Puede descargar la versión más reciente del sitio web de Yamaha.
- Se prohíbe la copia parcial o total no autorizada de este documento.

### Acuerdo de licencia de software

El número de revisión del firmware del producto se puede actualizar. Actualizar la revisión del firmware se considera una indicación de su aceptación del acuerdo de licencia de software del producto de red de Yamaha. Antes de actualizar la revisión del firmware, asegúrese de leer atentamente el acuerdo de licencia de software del producto de red de Yamaha.

Si no puede aceptar los términos del acuerdo de licencia de software del producto de red de Yamaha, no actualice la revisión del firmware.

Incluso en caso de negligencia, Yamaha no acepta ninguna responsabilidad por las pérdidas del cliente provocadas por el software, salvo que dicho descargo de responsabilidad esté específicamente prohibido por leyes o regulaciones aplicables.

### Acuerdo de licencia de software del producto de red de Yamaha

<https://www.rtpro.yamaha.co.jp/RT/docs/firmware/license/LICENSE>

### Software de código abierto que se usa en este producto

Visite el sitio web siguiente para acceder al acuerdo de licencia pertinente.

<https://www.yamahaproaudio.com/>

### Deshacerse de este producto o transferirlo

- Si tiene previsto transferir la propiedad de este producto, incluya con la unidad este documento y los accesorios incluidos.
- Siga las normas impuestas por la autoridad local para deshacerse de este producto y sus accesorios.
- Siga las normas impuestas por la autoridad local para deshacerse de las pilas gastadas. Este producto usa una pila de litio como respaldo para la alimentación de la función de reloj.

### Placa de características de este producto

El número de modelo, el número de serie, los requisitos de alimentación, etc. pueden encontrarse en la placa de identificación o cerca de ella. Esta placa se encuentra en la parte superior de la unidad. Debe anotar dicho número en el espacio proporcionado a continuación y conservar este manual como comprobante permanente de su compra para facilitar la identificación en caso de robo.

Nº de modelo

Nº de serie

(1003-M06 plate top es 01)

# Introducción

---

Gracias por adquirir este producto Yamaha.

- Asegúrese de leer primero el documento “Precauciones” que se suministra por separado.
- Para garantizar un uso correcto y seguro de este producto, asegúrese de seguir las secciones de Advertencia y Atención de este manual.
- Conserve este manual en un lugar seguro para que no se pierda.

## Información del sitio web

Los accesorios opcionales, el guía del usuario, la referencia de comandos y los datos técnicos están disponibles en el sitio web de Yamaha.

<https://www.yamahaproaudio.com/>

## Componentes incluidos

Compruebe que los siguientes componentes están incluidos.

- Leer primero este documento (este documento): 1 ud.
- Cable de alimentación: 1 ud.
- Abrazadera del cable de alimentación (solo se utiliza para el cable de alimentación específico incluido): 1 ud.
- Cubiertas antipolvo (el producto se suministra con ellas preinstaladas en las ranuras de SFP+): 4 uds.
- Patas (de caucho): 4 uds.
- Piezas de montaje en bastidor de 19 pulgadas: 2 uds.
- Piezas de montaje en pared: 2 uds.
- Tornillos (M3 x 8L): 8 uds.

### Nota

El diámetro de la rosca del tornillo es de 3,0 mm, el diámetro de la cabeza del tornillo es de 5,5 mm y la longitud del tornillo es de 8,0 mm.

## Componentes que se venden por separado

Se proporciona información detallada en el sitio web.

Asegúrese de leer los manuales de instrucciones de otros productos y el guía del usuario de este producto antes del uso.

## Software y documentos relacionados

Se han preparado los siguientes manuales en función del uso previsto de este producto. Lea el manual correspondiente en función de la aplicación concreta.

- Leer primero este documento (este documento)  
Describe las precauciones de uso de este producto. Asegúrese de leerlo antes del uso.
- Guía del usuario (sitio web)  
Describe cómo instalar, conectar y configurar este producto y otras opciones.
- Referencia de comandos (sitio web)  
Describe el formato de comandos para configurar este producto y un ejemplo de uso.
- Referencia técnica (sitio web)  
Describe información detallada sobre las características de este producto.
- Ayuda para la “pantalla de ajustes web”  
Incluye explicaciones detalladas sobre cada elemento de ajuste.

Se ha preparado el siguiente software.

- **Yamaha LAN Monitor**  
Se trata de una aplicación que se utiliza para supervisar la información de esta unidad y toda la red, incluidos todos los dispositivos Dante en la red Dante y la Guía del usuario de esta aplicación.

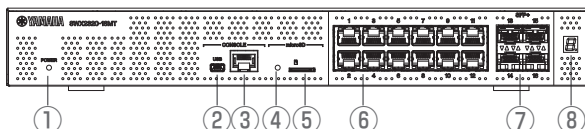
En el siguiente sitio web puede descargarse el software mencionado anteriormente.

<https://www.yamahaproaudio.com/>

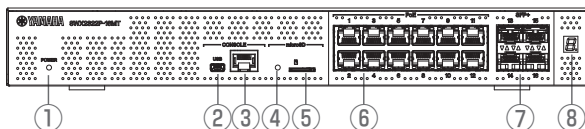
# Mandos y conectores

## Panel frontal

### SWX2320-16MT



### SWX2322P-16MT



## Nota

Los numerosos agujeros de la parte frontal son orificios de ventilación para que entre el aire exterior.

- ① **Indicador POWER (alimentación)**  
Se ilumina cuando la unidad recibe alimentación.
- ② **Puerto CONSOLE (consola) de tipo mini-USB**  
Este puerto mini-USB permite realizar ajustes. Utilice un cable USB para conectarlo al puerto USB de un ordenador.
- ③ **Puerto CONSOLE (consola) de tipo RJ-45**  
Este puerto RJ-45 permite realizar ajustes. Utilice un cable de consola RJ-45/DB-9 para conectarlo al conector RS-232C (puerto COM) del ordenador.
- ④ **Indicador microSD**  
Indica el estado de conexión y uso de la tarjeta microSD.
- ⑤ **Ranura microSD**  
Se puede insertar una tarjeta microSD en esta ranura.

### ⑥ Puertos de LAN

Estos puertos admiten 100BASE-TX, 1000BASE-T, 2.5GBASE-T, 5GBASE-T y 10GBASE-T. Los puertos de SWX2322P-16MT admiten el suministro de alimentación de PoE. Son compatibles con IEEE 802.3bt.

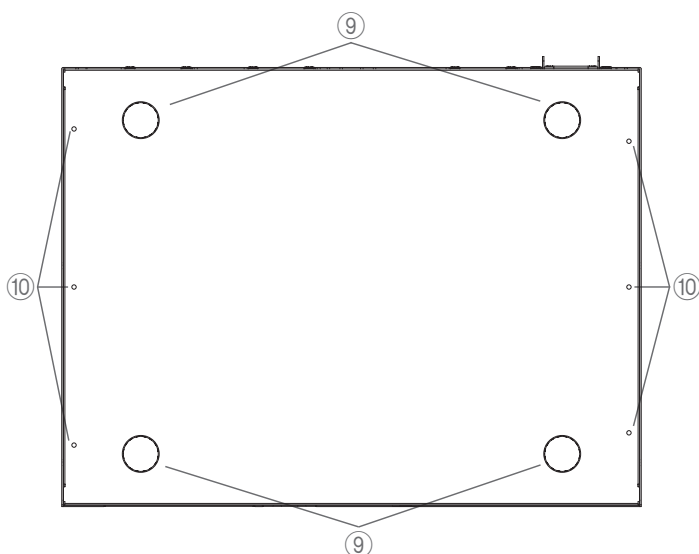
### ⑦ Ranuras de SFP+

Estas ranuras admiten 1000BASE-SX, 1000BASE-LX, 10GBASE-SR y 10GBASE-LR. Instale el módulo SFP (se vende por separado) y el cable de conexión directa (se vende por separado).

### ⑧ Indicador de ID de apilado

Se trata de una pantalla de 7 segmentos que indica el ID de apilado cuando se utiliza una conexión apilada.

## Panel inferior



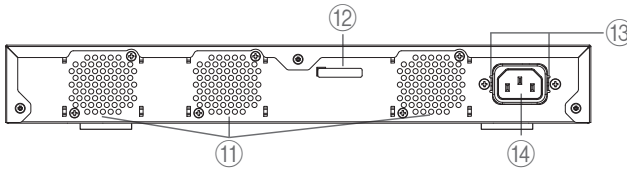
⑨ **Guías de acoplamiento de las patas de goma**

Se trata de las ubicaciones en las que se deben acoplar las patas de goma cuando la unidad se coloca en una superficie nivelada.

⑩ **Orificios de fijación para el accesorio de montaje en pared**

Se trata de los orificios de los tornillos para acoplar el accesorio de montaje en pared incluido cuando se instala en una pared o techo.

## Panel trasero



### 11 Orificios de ventilación

Se trata de los orificios destinados a expulsar con los ventiladores el calor que se genera en el interior.

### 12 N° de serie

La etiqueta del producto tiene la misma indicación.

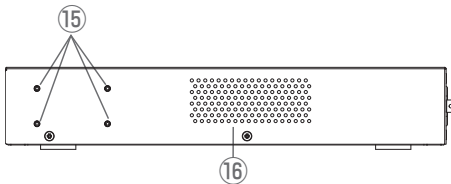
### 13 Orificios de fijación de la abrazadera del cable de alimentación

La abrazadera del cable de alimentación incluida (en forma de C) se puede fijar aquí.

### 14 Toma de alimentación (conector de tres patillas de tipo C14)

Inserte aquí el cable de alimentación que se incluye.

## Panel lateral



### 15 Orificios de fijación para el accesorio de montaje en bastidor

Se trata de los orificios de los tornillos para acoplar el accesorio de montaje en bastidor incluido cuando se instala este producto en un bastidor de 19 pulgadas (tamaño 1U).

### 16 Orificios de ventilación

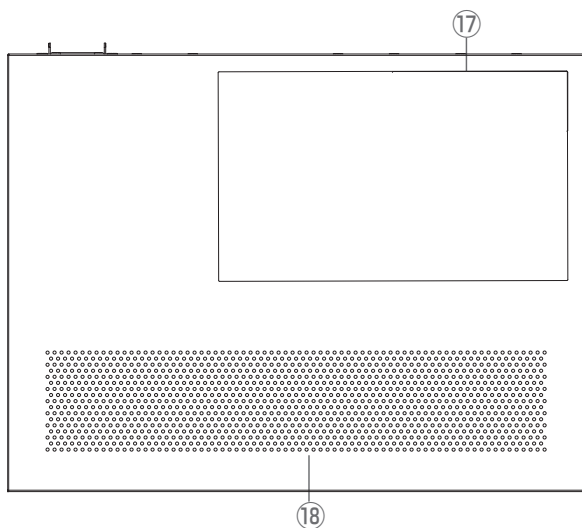
Los orificios de este producto son de ventilación mediante el ventilador y permiten absorber el aire del exterior.



### ADVERTENCIA

**No bloquee los orificios de ventilación ni coloque objetos cerca de ellos.**  
Si lo hiciera, podría provocar un incendio o avería.

## Panel superior



### 17 Etiqueta del producto

En ella se indican el nombre de modelo, el número de serie, la dirección MAC y otros datos de esta unidad.

### 18 Orificios de ventilación

Los orificios de este producto son de ventilación y permiten absorber el aire del exterior.



# Apéndice

## Especificaciones de hardware

Componente		SWX2320-16MT	SWX2322P-16MT
Puertos de LAN	Estándar	IEEE802.3 (100BASE-TX/ 1000BASE-T/ 2.5GBASE-T/ 5GBASE-T/ 10GBASE-T)	
	Número de puertos	12	
	Modo de comunicación	Negociación automática	
	Conector	RJ-45	
	Polaridad	Detección automática de polaridad directa/ inversa o fijo en polaridad directa	
PoE	Número de puertos	—	12
	Estándar	—	IEEE 802.3bt tipo 4 (clase 0 - 8)
	Sistema de fuente de alimentación	—	Alternativa A / Alternativa B
	Fuente de alimentación máxima	—	90 W/puerto, 250 W/unidad completa
	Dispositivos de alimentación con PoE compatibles	—	Dispositivos de alimentación con PoE que cumplen las siguientes normas: IEEE 802.3af IEEE 802.3at IEEE 802.3bt
Ranuras de SFP+	Estándar	IEEE802.3z (1000BASE-SX/ 1000BASE-LX) IEEE802.3ae (10GBASE-SR/ 10GBASE-LR)	
	Número de ranuras	4	
Dimensiones sin incluir los salientes ni las patas		330 mm(An) × 44 mm(Pr.) × 250 mm(Al.)	
Peso (sin los componentes incluidos)		2,7 kg	2,9 kg

## Apéndice

Componente		SWX2320-16MT	SWX2322P-16MT
Tensión de alimentación y frecuencia		De 100 a 240 V CA, 50/60 Hz	
Consumo de energía máximo		84 W	385 W
Puerto CONSOLE (consola)	Estándar	RS-232C, USB 2.0	
	Conector	RJ-45, mini-USB de tipo B (5 patillas)	
	Velocidad de transmisión de datos	9600 (valor por defecto) / 19200/ 38400/ 57600/ 115200 bit/s	
Ranura microSD	Estándar	microSD/ microSDHC	
	Sistema de archivos	FAT16/ FAT32	
Indicadores		POWER, microSD, ID de apilado, puerto de LAN (LINK/ ACT, SPEED), puerto de SFP+ (LINK/ ACT, SPEED)	
Número de ventiladores		3	
Dirección MAC		Se indica en la etiqueta del producto en el panel superior de la unidad	
Condiciones del entorno de funcionamiento	Temperatura ambiente	0 – 50 °C	
	Humedad ambiente	Del 15 al 80% (sin condensación)	
Condiciones del entorno de almacenamiento	Temperatura ambiente	–20 – 60 °C	
	Humedad ambiente	Del 10 al 90% (sin condensación)	

# PRECAUÇÕES

Leia estas precauções atentamente antes de usar o produto.

## Certifique-se de seguir as instruções

Leia atentamente e observe as seguintes precauções para evitar ferimentos ou danos aos seus bens.

Depois de ler este documento completamente, guarde-o em um lugar de fácil acesso aos usuários do produto.

- Entre em contato com o seguinte centro de atendimento ao cliente para um check-up ou reparo.
  - A loja onde comprou o produto
  - Concessionário Yamaha
- Este produto destina-se ao uso como equipamento profissional geral. Não o use em qualquer campo que requeira um alto grau de confiabilidade em relação às vidas humanas.
- Repare que a Yamaha não pode aceitar qualquer responsabilidade por quaisquer perdas decorrentes do uso inadequado ou modificação não autorizada do produto.



## ADVERTÊNCIAS

**Essas precauções alertam sobre a possibilidade de morte ou ferimentos graves para você ou outras pessoas.**

### Se você observar qualquer anormalidade

- No caso de qualquer uma das seguintes anormalidades, desligue a alimentação imediatamente.
    - O cabo de alimentação ou plugue for danificado.
    - For gerado um cheiro ou ruído estranho, ou sair fumaça do produto.
    - Cair um objeto ou água no produto.
    - Aparecerem rachaduras ou outros danos no produto.
    - O ventilador de refrigeração parou.
- Siga os passos a seguir para desligar a alimentação.
- Desconecte o plugue do cabo de alimentação da tomada de CA.
- Continuar a usar o produto como está pode resultar em um incêndio, choque elétrico ou danos ao produto. Solicite um check-up ou reparo imediatamente.

## Fonte de energia

- Não danifique o cabo de alimentação.
    - Não coloque o cabo de alimentação perto de fontes de calor como aquecedores.
    - Não dobre forçosamente nem modifique o cabo de alimentação.
    - Não danifique o cabo de alimentação.
    - Não coloque objetos sobre o cabo de alimentação.
    - Não grampeie o cabo de alimentação.
- Usar um cabo de alimentação desgastado com o fio exposto pode resultar em incêndio, choque elétrico ou mau funcionamento.
- Durante a ocorrência de raios ou tempestades elétricas, não toque no produto, plugue de alimentação ou cabo de alimentação.
    - Deixar de observar isso pode causar um choque elétrico.
  - Use a voltagem especificada para este produto. Usar uma tensão incorreta pode resultar em incêndio, choque elétrico ou mau funcionamento.
  - Certifique-se de usar o cabo de alimentação fornecido.
  - Não use os seguintes itens incluídos com outros dispositivos.
    - Cabo de alimentação
- Caso contrário, podem ocorrer incêndios, queimaduras ou mau funcionamento.
- Verifique o cabo de alimentação periodicamente e remova qualquer sujeira ou poeira que possa estar acumulada.
    - Deixar de observar isso pode causar um incêndio ou choque elétrico.
  - Certifique-se de inserir o plugue do cabo de alimentação completamente na tomada de CA.
    - Caso contrário, pode ocorrer choque elétrico, incêndio ou mau funcionamento devido a curto-circuito.
  - Insira o plugue do cabo de alimentação numa tomada de CA que seja visível e de fácil acesso.
  - Se você planeja não usar a unidade por um longo período, remova o plugue do cabo de alimentação das tomadas CA.
    - Caso contrário, pode ocorrer incêndio ou mau funcionamento.
- (somente modelo SWX2322P-16MT)
- Se você planeja conectar um dispositivo alimentado que esteja em conformidade com os padrões IEEE802.3af, IEEE802.3at e/ou IEEE802.3bt, use um cabo Ethernet que suporte fonte de alimentação PoE.
    - A não observância desta precaução pode resultar em incêndio ou mau funcionamento.
  - Não agrupe um grande número de cabos LAN que fornecem energia PoE.
    - As temperaturas elevadas na área agrupada podem causar incêndio, falha ou mau funcionamento. Para evitar que a temperatura do cabo exceda a classificação de temperatura do cabo, limite o número de cabos agrupados.
    - O SWX2322P-16MT deve ser conectado apenas a redes PoE sem roteamento para a planta externa. Não fazer isso pode causar mau funcionamento ou incêndio.

## Conexões

---

- Insira o plugue do cabo de alimentação numa tomada de CA adequada que tenha uma ligação à terra de proteção. Se o dispositivo não for aterrado corretamente, pode ocorrer choque elétrico, incêndio ou mau funcionamento.

## Não desmonte

---

- Não modifique nem desmonte este produto. Caso contrário, podem ocorrer incêndios, choques elétricos, ferimentos ou mau funcionamento.

## Advertência sobre água

---

- Não use este produto em condições úmidas ou molhadas, como um banheiro ou local chuvoso ao ar livre. Se o líquido for derramado no produto, poderá ocorrer um incêndio, choque elétrico ou mau funcionamento.
- Não coloque este produto em um recipiente (como vasos ou frascos de medicamentos) que contenham líquidos. Se o líquido for derramado no produto, poderá ocorrer um incêndio, choque elétrico ou mau funcionamento.
- Não insira o plugue do cabo de alimentação nem o retire da tomada de CA com as mãos molhadas. Não manuseie este produto com as mãos molhadas. Caso contrário, pode ocorrer choque elétrico ou mau funcionamento.

## Advertência sobre incêndio

---

- Não use chamas abertas perto deste produto. Não observar isso pode causar um incêndio.

## Manuseio

---

- Não derrube este produto nem aplique qualquer impacto forte no mesmo. Caso contrário, pode ocorrer incêndio, choque elétrico ou mau funcionamento.

## Pilha de backup

---

- Não substitua a pilha de backup por conta própria. Isso pode causar uma explosão ou mau funcionamento do produto. Se for preciso substituir a pilha, contate o seu revendedor Yamaha e peça a substituição da pilha ao pessoal de assistência técnica qualificado da Yamaha.
- Não desmonte uma bateria. Se o conteúdo da bateria entrar em contato com suas mãos ou olhos, poderá causar cegueira ou queimaduras químicas.
- Não descarte a bateria no fogo. Não exponha a bateria a condições de pressão de ar extremamente baixa, frio ou calor (como luz solar direta ou fogo) ou poeira ou umidade excessiva. Fazer isso pode resultar na explosão da bateria, causando incêndio ou ferimentos.
- Não coloque este produto em um local onde a pressão do ar seja extremamente baixa. Fazer isso pode resultar na explosão da bateria, causando incêndio ou ferimentos.



## CUIDADO

---

**Essas precauções alertam o usuário sobre a possibilidade de lesões físicas.**

## Fornecimento de energia

---

- Se o plugue do cabo de alimentação inserido na tomada de CA estiver oscilante ou frouxo, não use tal tomada. Não observar isso pode causar um incêndio, choque elétrico ou queimaduras.
- Ao retirar o plugue do cabo de alimentação do produto ou de uma tomada, sempre segure o próprio plugue e nunca o cabo. Não observar isso pode danificar o cabo de alimentação, resultando em um incêndio ou choque elétrico.

## Instalação

---

- Não coloque este produto em uma posição instável ou em um lugar sujeito a vibração. Caso contrário, o produto pode cair ou tombar, resultando em ferimentos, mau funcionamento ou danos.
- Não bloqueie a dissipação térmica deste produto ao instalá-lo.
  - Não cubra o produto com uma roupa ou toalha de mesa.
  - Não instale o produto em um carpete ou tapete.
  - Não bloqueie as aberturas (orifícios para entrada de ar externo, dissipação de calor e exaustão do ventilador).
  - Não use o produto em um lugar fechado e mal ventilado. Ventilação inadequada pode resultar em superaquecimento dentro do produto, possivelmente causando incêndio ou mau funcionamento.
- Instale este produto de acordo com as instruções dadas no seguinte manual.
  - Guia do usuário (em nosso site)
- Não empilhe este produto em cima ou embaixo de outros dispositivos, pois isso pode causar incêndio ou queimaduras.
- Não instale o produto em um lugar em que o produto entre em contato com ar marinho, gases corrosivos, fumaça oleosa ou vapor. Caso contrário, o produto pode cair ou tombar, resultando em ferimentos, mau funcionamento ou danos.
- Antes de mover este produto, certifique-se de desconectar todos os cabos conectados. Caso contrário, os cabos podem ser presos pelos pés ou mãos e o produto pode cair ou tombar, resultando em ferimentos, mau funcionamento ou danos.
- Ao montar em uma parede, teto ou rack, certifique-se de que alguém com conhecimento especializado instale o produto. Se necessário, consulte a loja onde adquiriu o produto ou uma construtora especializada. A instalação inadequada pode causar ferimentos, danos ou mau funcionamento deste produto.
- Confirme que a instalação acabada está correta e segura. Além disso, realize as inspeções de segurança periodicamente. Se você não tomar esses cuidados, os dispositivos podem cair e provocar ferimentos.

- Ao instalar horizontalmente, certifique-se de colocar pés de borracha. Não fazer isso pode causar incêndio ou queimaduras.  
Confirme se a instalação concluída é segura e protegida. Além disso, realize inspeções de segurança periodicamente. A não observância disso pode causar a queda dos dispositivos e resultar em ferimentos.

## Conexões

---

- Se você planeja conectar dispositivos externos, primeiro leia o manual do proprietário de cada dispositivo, e conecte-os de acordo com as instruções.  
Se você não seguir as instruções corretamente, podem ocorrer ferimentos ou mau funcionamento.

## Manutenção

---

- Antes de limpar o produto, certifique-se de desconectar o plugue do cabo de alimentação da tomada de CA.  
Deixar de observar isso pode causar um choque elétrico.

## Manuseio

---

- Não insira suas mãos ou dedos nas aberturas deste produto.  
Não observar isso pode causar uma lesão.
- Não derrube nenhum objeto estranho, como um pedaço de metal ou papel, em qualquer folga neste produto.  
Caso contrário, pode ocorrer incêndio, choque elétrico ou mau funcionamento.
- Mantenha peças pequenas longe do alcance de crianças pequenas.  
Caso contrário, as crianças podem engoli-las acidentalmente.
- Não aplique uma força excessiva neste produto da seguinte maneira.
  - Colocar seu peso no produto
  - Colocar objetos pesados sobre este produto
  - Empilhar este produto
  - Aplicar força excessiva aos botões ou conectores de E / S
  - Pendurar-se no produto
  - Apoiar-se no produtoCaso contrário, podem ocorrer ferimentos, choque elétrico, mau funcionamento ou danos.
- Não puxe os cabos conectados.  
Caso contrário, o produto pode cair ou tombar, resultando em ferimentos, mau funcionamento ou danos.

# Precauções de uso

## AVISO

---

Siga as precauções abaixo para evitar um mau funcionamento e danos ao produto, e para prevenir a perda de dados.

### Instalação

---

- Se ouvir ruído, mude a localização ou orientação do produto ou o ambiente ao redor. Dependendo do ambiente no qual você usar o produto, um telefone, rádio ou TV pode gerar ruído.
- Não instale este produto em um lugar sujeito a:
  - Luz direta do sol
  - Temperaturas extremamente altas ou baixas
  - Poeira excessivaCaso contrário, pode ocorrer mau funcionamento, deformação ou desfiguração.
- Não instale este produto em um lugar no qual se forme condensação devido a mudanças rápidas e drásticas na temperatura ambiente. Usar o produto enquanto houver condensação pode causar mau funcionamento. Se houver motivos para acreditar que pode ter ocorrido condensação sobre ou neste produto, deixe-o por várias horas sem ligar a energia. Você pode começar a usar o produto quando a condensação secar completamente.
- Não instale este produto em um lugar sujeito a ondas eletromagnéticas fortes. Não observar isso pode causar um mau funcionamento.
- Não instale cabos de telecomunicação perto do cabo de alimentação. Caso contrário, a alta voltagem pode ser induzida, resultando em um mau funcionamento.
- Não instale usando um kit de montagem em parede ou kit de montagem em rack diferente dos itens incluídos.

### Conexões

---

- Não conecte este produto diretamente a uma rede Wi-Fi e/ou de Internet pública. Somente conecte este produto à Internet usando um roteador com proteção por senha forte. Consulte o fabricante do roteador para obter mais informações sobre as melhores práticas de segurança.
- Não conecte dispositivos que geram ruídos à mesma fonte de alimentação que o produto. Isso pode causar danos ou mau funcionamento.
- Se você planeja usar este produto em uma rede 1000BASE-T / 2.5GBASE-T / 5GBASE-T, use cabos LAN de Categoria 5 avançada (CAT5e) ou superior. Se você planeja usar este produto em uma rede 10GBASE-T, use cabos de Categoria 6 (CAT6) ou superior. No entanto, se você planeja usar este produto em uma rede 2.5GBASE-T / 5GBASE-T / 10GBASE-T, a distância máxima de transmissão resultante pode ser menor que o valor padrão devido à influência de cabos adjacentes e ruído externo. Para obter detalhes, consulte o “Guia do Usuário” no site da Yamaha.
- Ao conectar usando um cabo Direct Attach ou um cabo STP, certifique-se de que o aterramento dos dispositivos esteja no mesmo potencial.

(somente modelo SWX2322P-16MT)

- Se um cabo que fornece energia PoE for desconectado de uma porta LAN, aguarde pelo menos 5 segundos antes de reconectá-lo. Não fazer isso pode causar falha ou mau funcionamento.

### Manuseio

---

- Não coloque um objeto de vinil, plástico ou borracha em cima deste produto. Deixar de observar isso pode descolorir ou deteriorar o painel.
- Antes de tocar neste produto, elimine a eletricidade estática do seu corpo ou roupa. Caso contrário, a eletricidade estática pode causar o mau funcionamento do produto.
- Não toque no interior do terminal com o dedo ou um objeto de metal. Isso pode resultar em mau funcionamento ou mau contato.
- Certifique-se de ler o guia do usuário deste produto no site e, em seguida, conecte apenas os módulos SFP especificados (laser classe 1; vendidos separadamente) ou cabos Direct Attach (vendidos separadamente) ao slot SFP+. A operação não pode ser garantida se qualquer módulo SFP ou cabo Direct Attach diferente dos especificados estiver conectado.
- Coloque a tampa contra poeira nos slots SFP+ que não estão em uso. Deixar de fazer isso pode permitir que objetos estranhos entrem no produto, causando mau funcionamento. Mantenha a cobertura contra poeira em um lugar seguro para evitar perdê-la.
- Se for difícil puxar o cabo Direct Attach (vendido separadamente), consulte o Guia do Usuário (disponível no site) para desconectá-lo. Puxar o cabo com força pode danificar este produto ou o cabo Direct Attach.

### Manutenção

---

- Use um pano macio e seco para limpar este produto. Não use benzina, tiner, detergente ou trapo químico para limpar a superfície do produto. Deixar de observar isso pode descolorir ou deteriorar a superfície.

### Eliminação ou transferência

---

- Antes de transferir a propriedade ou de eliminar este produto, restaure as definições do produto para as definições de fábrica. Se você transferir a propriedade ou eliminar este produto sem inicializar as definições, seus dados pessoais podem ser roubados por terceiros.

# Informação importante

## OBSERVAÇÃO

Esta seção descreve as precauções a serem observadas durante o uso, restrições funcionais, e informações suplementares que lhe podem ser úteis.

### Características do produto

- A Yamaha efetua melhorias e atualizações de maneira constante no software incluído neste produto. Você pode baixar o software mais recente no site da Yamaha.
- Use produto laser de classe I de transceptor de fibra óptica certificado.

Este é um produto classe A. A operação deste produto em ambiente residencial pode causar interferência de rádio.

### Conteúdo deste documento

- Os nomes das empresas e dos produtos neste documento são as marcas comerciais e as marcas comerciais registradas de suas respectivas empresas.
- O conteúdo deste documento aplica-se às últimas especificações na sua data de publicação. Você pode baixar a última versão do website da Yamaha.
- É proibida a cópia não autorizada deste documento, seja parcial ou total.

### Contrato de licença de software

O número de revisão do firmware do produto pode ser atualizado. A atualização da revisão do firmware é considerada uma indicação de concordância com o contrato de licença de software do produto de rede Yamaha. Antes de atualizar a revisão do firmware, leia atentamente o contrato de licença de software do produto de rede Yamaha.

Se você não concordar com os termos do contrato de licença de software do produto de rede Yamaha, não atualize a revisão do firmware.

Mesmo em caso de negligência, a Yamaha não aceita qualquer responsabilidade por quaisquer perdas do cliente causadas pelo software, a menos que tal isenção de responsabilidade seja especificamente proibida por uma lei ou regulamento aplicável.

### Contrato de licença de software de produto de rede Yamaha

<https://www.rtpro.yamaha.co.jp/RT/docs/firmware/license/LICENSE>

### Software de fonte aberta usado por este produto

Visite o seguinte website para o contrato de licença relevante.

<https://www.yamahaproaudio.com/>

### Eliminação ou transferência

- Se você planeja transferir a propriedade deste produto, inclua este documento e os acessórios fornecidos junto com a unidade.
- Siga as regras das autoridades locais para eliminar este produto e seus acessórios.
- Siga as regras das autoridades locais para eliminar pilhas usadas. Este produto usa uma pilha de lítio para o backup da energia para a função do relógio.

### Placa de identificação deste produto

O número de modelo, número de série, requisitos de energia, etc. podem ser encontrados na placa de nome, que está na parte superior da unidade. Anote-o no espaço reservado abaixo e guarde este manual como registro de compra permanente para auxiliar na identificação do produto em caso de roubo.

Nº do modelo

Nº de série

(1003-M06 plate top pt 01)

# Introdução

---

Obrigado por adquirir este produto Yamaha.

- Leia primeiro as “Precauções” separadas.
- Para o uso correto e seguro deste produto, certifique-se de observar os avisos e precauções neste manual.
- Guarde este manual em um local seguro para que não seja perdido.

## Informação do site

Acessórios opcionais, Guia do Usuário, Referência de Comando e dados técnicos estão disponíveis no site da Yamaha.

<https://www.yamahaproaudio.com/>

## Itens incluídos

Verifique se os itens incluídos a seguir estão presentes.

- Leia isto primeiro (este documento): 1 peça.
- Cabo de alimentação: 1 peça.
- Braçadeira do cabo de alimentação (usada somente para o cabo de alimentação dedicado incluído): 1 peça.
- Coberturas contra poeira (pré-instaladas nos slots SFP+ quando o produto é enviado): 4 peças
- Pernas (pés de borracha): 4 peças
- Hardware de montagem em rack de 19 polegadas: 2 peças
- Hardware de montagem em parede: 2 peças
- Parafusos (M3 x 8L): 8 peças

## Observação

O diâmetro da rosca do parafuso é de 3,0 mm, o diâmetro da cabeça do parafuso é de 5,5 mm e o comprimento do parafuso é de 8,0 mm.

## Itens vendidos separadamente

Os detalhes são fornecidos no site.

Certifique-se de ler os manuais de instruções para outros produtos e o Guia do usuário para este produto antes de usar.



## Software e documentos relacionados

Os manuais a seguir são preparados de acordo com o uso pretendido para este produto. Leia o manual apropriado de acordo com sua aplicação particular.

- **Leia isto primeiro (este documento)**  
Descreve as precauções de uso deste produto. Certifique-se de ler antes de usar.
- **Guia do usuário (site)**  
Descreve como instalar, conectar e definir este produto e outras opções.
- **Referência de comando (site)**  
Descreve o formato do comando para configurar este produto e um exemplo de uso.
- **Referência técnica (site)**  
Descreve informações detalhadas sobre os recursos deste produto.
- **Ajuda para “Tela de configurações da web”**  
Descreve explicações detalhadas sobre cada item de configuração.

O seguinte software está preparado.

- **Monitor LAN Yamaha**

Este é um aplicativo usado para monitorar as informações desta unidade e de toda a rede, incluindo todos os dispositivos Dante na rede Dante e o guia do usuário deste aplicativo.

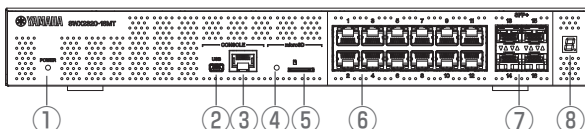
O software acima pode ser baixado do seguinte site.

<https://www.yamahaproaudio.com/>

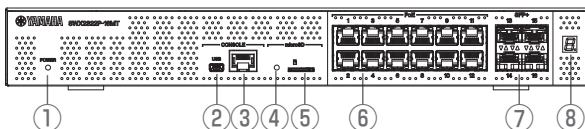
# Controles e conectores

## Painel Frontal

SWX2320-16MT



SWX2322P-16MT



### Observação

Os muitos orifícios na frente são uma abertura de resfriamento para a entrada do ar externo.

#### ① Indicador de energia

Acende quando alimentação é fornecida para a unidade

#### ② Porta mini-USB CONSOLE

Porta mini-USB usada para definir configurações. Use um cabo USB para conectá-la à porta USB de um computador.

#### ③ Porta RJ-45 CONSOLE

Porta RJ-45 usada para definir configurações. Use um cabo do console RJ-45/DB-9 para conectá-la ao conector RS-232C (porta COM) do computador.

#### ④ Indicador microSD

Indica o status de uso e de conexão do cartão microSD.

#### ⑤ Slot microSD

Um cartão microSD pode ser inserido nesse slot.

## ⑥ Portas LAN

Essas portas suportam 100BASE-TX, 1000BASE-T, 2.5GBASE-T, 5GBASE-T e 10GBASE-T. As portas SWX2322P-16MT suportam o fornecimento de energia PoE. Eles são compatíveis com IEEE 802.3bt.

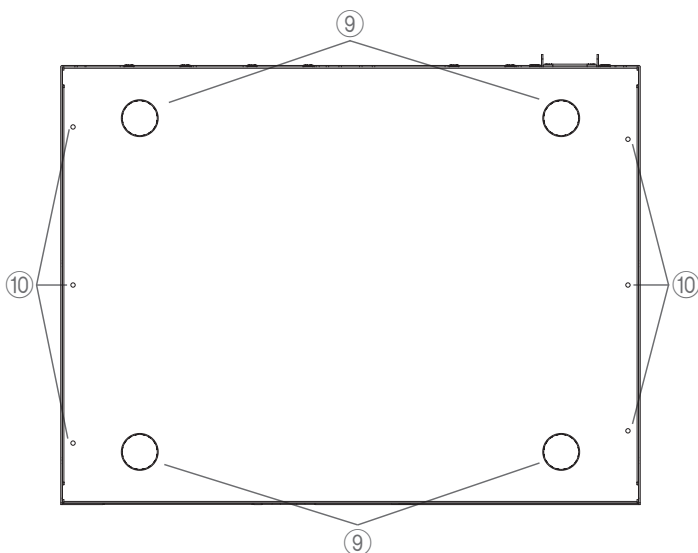
## ⑦ SFP+ slots

Esses slots suportam 1000BASE-SX, 1000BASE-LX, 10GBASE-SR e 10GBASE-LR. Instale o módulo SFP (vendido separadamente) e o cabo de conexão direta (vendido separadamente).

## ⑧ Indicador de ID de pilha

Visor de 7 segmentos que indica o ID do empilhamento quando a conexão empilhada é usada.

## Painel inferior



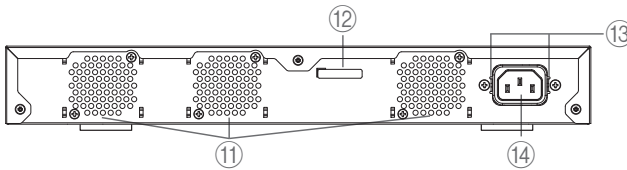
### ⑨ Guias de fixação do pé de borracha

Esses são os locais onde os pés de borracha devem ser fixados ao colocar a unidade em uma superfície nivelada.

### ⑩ Orifícios de fixação de acessórios de montagem em parede

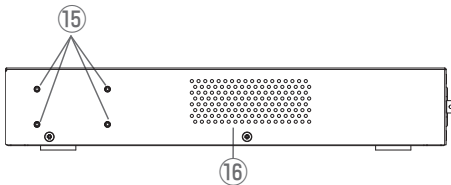
Esses são orifícios para parafusos para prender o acessório de montagem em parede incluído ao instalar em uma parede ou teto.

## Painel traseiro



- ⑪ **Orifícios de ventilação**  
São orifícios para exaustão forçada do calor gerado internamente com ventiladores.
- ⑫ **Número de série**  
O rótulo do produto tem a mesma indicação.
- ⑬ **Orifícios de fixação da braçadeira do cabo de alimentação**  
A braçadeira do cabo de alimentação incluída (em forma de C) pode ser fixada aqui.
- ⑭ **Entrada da fonte de alimentação (conector de três pinos, tipo C14)**  
Insira aqui a fonte de alimentação incluída.

## Painel lateral



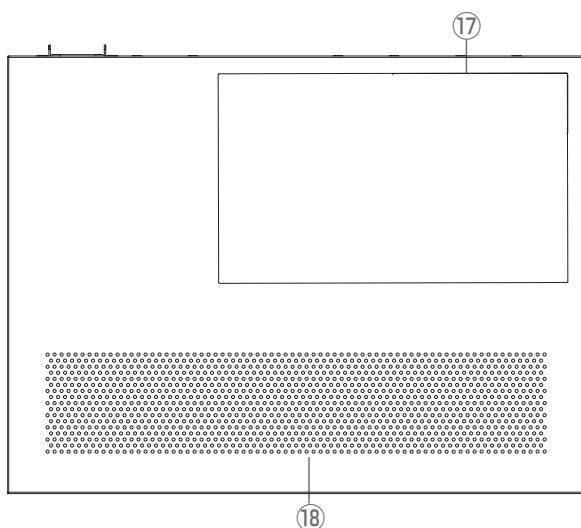
- ⑮ **Orifícios de fixação de acessórios de montagem em rack**  
Esses são orifícios para parafusos para prender o acessório de montagem em rack incluído ao instalar este produto em um rack de 19 polegadas (1U).
- ⑯ **Ventiladores de refrigeração**  
Os orifícios neste produto são aberturas de ventilação pelo ventilador para entrada de ar externo.



### ADVERTÊNCIAS

**Não bloqueie as aberturas de resfriamento nem coloque objetos próximos a elas.**  
Isso pode causar mau funcionamento ou incêndio.

## Painel superior



### 17 Rótulo do produto

Indica o nome do modelo, o número de série, o endereço MAC, etc. desta unidade.

### 18 Ventiladores de refrigeração

Os orifícios neste produto são aberturas de resfriamento para a entrada de ar externo.

# Apêndice

## Especificações de hardware

Item		SWX2320-16MT	SWX2322P-16MT
Portas LAN	Padrão	IEEE802.3 (100BASE-TX/ 1000BASE-T/ 2.5GBASE-T/ 5GBASE-T/ 10GBASE-T)	
	Número de portas	12	
	Modo de comunicação	Negociação automática	
	Conector	RJ-45	
	Polaridade	Detecção automática de reta/ cruzada ou fixa em linha reta	
PoE	Número de portas	—	12
	Padrão	—	IEEE 802.3bt tipo 4 (classe 0 - 8)
	Sistema de alimentação	—	Alternativa A / Alternativa B
	Fonte de alimentação máxima	—	90 W/porta, 250 W/unidade inteira
	Dispositivos alimentados por PoE compatíveis	—	Dispositivos alimentados por PoE que cumprir os seguintes padrões: IEEE 802.3af IEEE 802.3at IEEE 802.3bt
SFP+ slots	Padrão	IEEE802.3z (1000BASE-SX/ 1000BASE-LX) IEEE802.3ae (10GBASE-SR/ 10GBASE-LR)	
	Número de slots	4	
Dimensões não inclui saliências e pés de apoio		330 mm(L) × 44 mm(P) × 250 mm(A)	
Peso (sem itens incluídos)		2,7 kg	2,9 kg

## Apêndice

Item		SWX2320-16MT	SWX2322P-16MT
Tensão e frequência da fonte de alimentação		CA 100 – 240 V, 50/60 Hz	
Consumo máximo de energia		84 W	385 W
Porta CONSOLE	Padrão	RS-232C, USB 2.0	
	Conector	RJ-45, USB mini-B (5 pinos)	
	Velocidade de transmissão de dados	9600 (valor padrão) / 19200/ 38400/ 57600/ 115200 bit/s	
Slot para microSD	Padrão	microSD/ microSDHC	
	Sistema de arquivo	FAT16/ FAT32	
Indicadores		POWER, microSD, STACK ID, porta LAN (LINK/ ACT, SPEED), porta SFP + (LINK/ ACT, SPEED)	
Número de ventiladores		3	
Endereço MAC		Indicado na etiqueta do produto no painel superior da unidade	
Condições do ambiente de operação	Temperatura ambiente	0 – 50 °C	
	Umidade ambiente	15 – 80% (sem condensação)	
Condições do ambiente de armazenamento	Temperatura ambiente	–20 – 60 °C	
	Umidade ambiente	10 – 90% (sem condensação)	



# PRECAUZIONI

Leggere attentamente queste precauzioni prima di procedere.

## Accertarsi di seguire le istruzioni

Leggere attentamente e rispettare le seguenti precauzioni per evitare di causare lesioni alle persone o danni alle cose. Dopo aver letto attentamente questo documento, conservarlo in un luogo che sia sempre accessibile a chiunque utilizzi il prodotto.

- Per l'ispezione o la riparazione, contattare il seguente centro di assistenza clienti.
  - Il negozio in cui è stato acquistato il prodotto
  - Rivenditore Yamaha
- Questo prodotto è destinato all'uso come apparecchio da ufficio generico. Non deve essere utilizzato in alcun ambito che richieda un alto grado di affidabilità in relazione a vite umane.
- Yamaha decina ogni responsabilità per perdite derivanti dall'uso improprio o da modifiche non autorizzate del prodotto.



## AVVERTENZA

**Queste precauzioni segnalano la possibilità di morte o lesioni gravi a se stessi o ad altri.**

### In caso di anomalie

- Se si verifica una delle seguenti anomalie, spegnere immediatamente il prodotto.
  - Il cavo/la spina di alimentazione sono danneggiati.
  - Il prodotto emette odori o rumori insoliti oppure fumo.
  - Nel prodotto è penetrato un oggetto oppure acqua.
  - Sul prodotto sono presenti crepe o altri danni.
  - La ventola di raffreddamento si è arrestata.Procedere come segue per spegnere il prodotto.
  - Scollegare il cavo di alimentazione dalla presa di corrente CA.Continuare a utilizzare il prodotto nelle condizioni in cui si trova può causare incendi, scosse elettriche o malfunzionamenti. Richiedere immediatamente un'ispezione o la riparazione.

## Alimentazione

- Non danneggiare il cavo di alimentazione.
  - Non collocare il cavo di alimentazione vicino a fonti di calore quali radiatori.
  - Non piegare o modificare forzatamente il cavo di alimentazione.
  - Non danneggiare il cavo di alimentazione.
  - Non collocare oggetti pesanti sul cavo di alimentazione.
  - Non fissare il cavo di alimentazione con graffette.L'uso di un cavo di alimentazione logoro e con il filo interno esposto può causare incendi, scosse elettriche o malfunzionamenti.

- Durante i temporali, non toccare il prodotto, la spina o il cavo di alimentazione. Altrimenti, si possono causare scosse elettriche.
- Utilizzare la tensione specificata per il prodotto. L'uso di una tensione scorretta può causare incendi, scosse elettriche o malfunzionamenti.
- Assicurarsi di utilizzare il cavo di alimentazione fornito.
- Non utilizzare con altri dispositivi i seguenti accessori forniti in dotazione.
  - Cavo di alimentazioneAltrimenti, si possono causare incendi, ustioni o malfunzionamenti.
- Controllare periodicamente la spina del cavo di alimentazione ed eventualmente rimuovere la sporcizia o la polvere accumulata. Altrimenti, si possono causare incendi o scosse elettriche.
- Assicurarsi di inserire a fondo la spina del cavo di alimentazione nella presa di corrente CA. Altrimenti, si possono causare scosse elettriche, incendi o malfunzionamenti a causa di corto circuito.
- Inserire la spina di alimentazione in una presa di corrente CA che sia visibile e facilmente accessibile.
- Se si prevede di non utilizzare l'unità per un periodo di tempo prolungato, scollegare la spina della presa di alimentazione dalle prese di corrente CA. Altrimenti, si possono causare incendi o malfunzionamenti.

(solo modello SWX2322P-16MT)

- Se si intende connettere un dispositivo alimentato conforme agli standard IEE802.3af, IEEE 802.3at e/o IEE802.3bt utilizzare un cavo Ethernet che supporti l'alimentazione via PoE. La mancata osservazione di tale precauzione potrebbe provocare incendi o malfunzionamenti.
- Non raggruppare numerosi cavi LAN con alimentazione PoE. La temperatura elevata nella zona dei cavi raggruppati potrebbe causare incendi, guasti o malfunzionamenti. Per evitare che la temperatura superi il livello di classificazione dei cavi, limitare il numero di cavi raggruppati. SWX2322P-16MT deve essere connesso solo alle reti PoE senza instradamento verso l'impianto esterno. In caso contrario, si possono causare incendi o malfunzionamenti.

## Collegamenti

---

- Inserire la spina di alimentazione in una presa di corrente CA adeguata che disponga di una messa a terra di protezione.  
Se il dispositivo non è collegato a terra correttamente, si possono causare scosse elettriche, incendi o malfunzionamenti.

## Non disassemblare

---

- Non modificare o disassemblare questo prodotto. Altrimenti, si possono causare incendi, scosse elettriche, lesioni o malfunzionamenti.

## Esposizione all'acqua

---

- Non utilizzare questo prodotto in presenza di umidità, come ad esempio in bagni o ambienti esterni esposti alla pioggia.  
L'ingresso di liquidi nel prodotto può causare incendi, scosse elettriche o malfunzionamenti.
- Non collocare sul prodotto recipienti (come ad esempio vasi o flaconi di medicinali) contenenti liquidi.  
L'ingresso di liquidi nel prodotto può causare incendi, scosse elettriche o malfunzionamenti.
- Non inserire la spina del cavo di alimentazione nella presa di corrente CA e non estrarla con le mani bagnate. Non maneggiare il prodotto con le mani umide.  
Altrimenti, si possono causare scosse elettriche o malfunzionamenti.

## Esposizione al fuoco

---

- Non maneggiare fiamme libere vicino al prodotto. Altrimenti si possono causare incendi.

## Manipolazione

---

- Non lasciar cadere il prodotto né esporlo a forti impatti. Altrimenti, si possono causare incendi, scosse elettriche o malfunzionamenti.

## Batteria di riserva

---

- Non sostituire da sé la batteria di riserva. Ciò può causare esplosioni o malfunzionamenti del prodotto. Se è necessario sostituire la batteria, contattare il rivenditore Yamaha e far sostituire la batteria da personale di assistenza qualificato Yamaha.
- Non smontare la batteria. Se il contenuto della batteria dovesse finire sulle mani o sugli occhi, può causare cecità o ustioni chimiche.
- Non gettare la batteria nel fuoco. Non esporre la batteria a condizioni di pressione atmosferica estremamente bassa, freddo o caldo (p.es. alla luce solare diretta o al fuoco) o polvere o umidità eccessive. Ciò potrebbe causare l'esplosione della batteria provocando incendi o lesioni personali.
- Non posizionare il prodotto in luoghi con pressione atmosferica estremamente bassa. Ciò potrebbe causare l'esplosione della batteria provocando incendi o lesioni personali.



## ATTENZIONE

---

**Queste precauzioni segnalano all'utente la possibilità di lesioni fisiche.**

## Alimentazione

---

- Se la spina del cavo di alimentazione inserita nella presa di corrente CA si muove o è allentata, non utilizzare tale presa di corrente.  
Altrimenti si possono causare incendi, scosse elettriche o ustioni.
- Quando si estrae la spina del cavo di alimentazione dal prodotto o da una presa di corrente, afferrare sempre la spina stessa e non il cavo.  
Altrimenti, si può danneggiare il cavo di alimentazione, e ciò può causare incendi o scosse elettriche.

## Installazione

---

- Non posizionare questo prodotto in una posizione instabile o in un luogo soggetto a vibrazioni.  
Altrimenti, il prodotto può cadere o ribaltarsi, con conseguenti lesioni, malfunzionamenti o danni.
- Non bloccare la dissipazione del calore del prodotto durante la sua installazione.
  - Non coprire il prodotto con un panno o una tovaglia.
  - Non installare il prodotto su un tappeto o sulla moquette.
  - Non ostruire le prese d'aria (fori per aspirare l'aria esterna o dissipare il calore e lo scarico delle ventole).
  - Non utilizzare il prodotto in locali angusti e scarsamente ventilati.Una ventilazione inadeguata può causare il surriscaldamento all'interno del prodotto, che a sua volta può causare incendi o malfunzionamenti.
- Installare il prodotto seguendo le istruzioni fornite nel seguente manuale.
  - Guida per l'utente (sul nostro sito web)
- Non posizionare il prodotto sopra o sotto altri dispositivi, poiché potrebbe causare incendi o ustioni.
- Non installare il prodotto in luoghi in cui potrebbe entrare in contatto con aria salmastra, gas corrosivi, fumi oleosi o vapori.  
Altrimenti, il prodotto può cadere o ribaltarsi, con conseguenti lesioni, malfunzionamenti o danni.
- Prima di spostare il prodotto, assicurarsi di scollegare tutti i cavi collegati.  
Altrimenti, i cavi si possono impigliare in un piede o una mano e il prodotto può cadere o ribaltarsi, con conseguenti lesioni, malfunzionamenti o danni.
- Per il montaggio a parete, soffitto o rack, assicurarsi di affidarsi a uno specialista. Se necessario, rivolgersi al negozio di acquisto o a una ditta edile.  
Un'installazione inadeguata può causare lesioni, danni o malfunzionamenti al prodotto.
- Verificare che l'installazione completata sia sicura e protetta. Inoltre, eseguire periodicamente ispezioni di sicurezza. La mancata osservanza di questa precauzione potrebbe causare la caduta dei dispositivi e conseguenti lesioni.

- Per l'installazione in orizzontale, assicurarsi di fissare i piedini in gomma. In caso contrario, si possono causare incendi o ustioni.  
Assicurarsi che l'installazione completata sia sicura. Effettuare inoltre ispezioni periodiche della sicurezza. La mancata osservanza di tale raccomandazione potrebbe causare guasti ai dispositivi e lesioni personali.

## **Collegamenti**

---

- Se si prevede di collegare dispositivi esterni, leggere prima il manuale di istruzioni di ciascun dispositivo, e collegarli seguendo le istruzioni.  
Se non si seguono correttamente le istruzioni, si possono causare lesioni o malfunzionamenti.

## **Manutenzione**

---

- Prima di pulire il prodotto, assicurarsi di scollegare la spina del cavo di alimentazione dalla presa di corrente CA. Altrimenti, si possono causare scosse elettriche.

## **Manipolazione**

---

- Non introdurre le mani o le dita nelle aperture del prodotto.  
Altrimenti si possono causare lesioni.
- Non lasciar cadere oggetti estranei, come pezzi di metallo o carta, nelle aperture del prodotto.  
Altrimenti, si possono causare incendi, scosse elettriche o malfunzionamenti.
- Conservare le parti di piccole dimensioni lontano dai bambini.  
Altrimenti, le potrebbero ingerire accidentalmente.
- Non applicare forza eccessiva al prodotto nei modi seguenti.
  - Poggiando il proprio peso sul prodotto
  - Collocando oggetti pesanti sul prodotto
  - Impilando il prodotto
  - Applicando forza eccessiva ai pulsanti o ai connettori di ingresso/uscita
  - Appendendosi al prodotto
  - Appoggiandosi al prodottoAltrimenti, si possono causare lesioni, scosse elettriche, malfunzionamenti o danni.
- Non tirare i cavi collegati.  
Altrimenti, il prodotto può cadere o ribaltarsi, con conseguenti lesioni, malfunzionamenti o danni.

# Precauzioni per l'uso

## AVVISO

---

Attenersi alle precauzioni seguenti per evitare malfunzionamenti e danni al prodotto e per prevenire la perdita di dati.

### Installazione

---

- Se si sentono rumori, spostare o riorientare il prodotto o modificare l'ambiente in cui si trova. A seconda dell'ambiente in cui si utilizza il prodotto, un telefono, una radio o un televisore potrebbero generare rumore.
- Non installare il prodotto in un luogo esposto a:
  - Luce solare diretta
  - Temperature estremamente alte o basse
  - Polvere eccessivaIn caso contrario, si possono causare malfunzionamenti, deformazioni o trasfigurazioni.
- Non installare il prodotto in un luogo in cui può formarsi condensa a causa di rapidi e drastici cambiamenti della temperatura ambiente. L'uso di un prodotto al cui interno è presente della condensa può causare dei malfunzionamenti. Se c'è motivo di ritenere che si sia formata della condensa sul prodotto o nel prodotto, lasciarlo per diverse ore senza accendere l'alimentazione. È possibile iniziare a utilizzare il prodotto quando la condensa si è completamente asciugata.
- Non installare il prodotto in un luogo esposto forti onde elettromagnetiche. Altrimenti, si possono causare malfunzionamenti.
- Non installare cavi di telecomunicazione vicino al cavo di alimentazione. Altrimenti, si potrebbe indurre alta tensione con conseguenti malfunzionamenti.
- Per l'installazione, non utilizzare kit di montaggio a parete o rack diversi da quelli forniti.

### Collegamenti

---

- Non collegare questo prodotto direttamente a una rete pubblica Wi-Fi e/o Internet. Collegare il prodotto a Internet soltanto tramite un router protetto da password con elevato livello di sicurezza. Consultare il produttore del router per informazioni sulle best practice di sicurezza.
- Non collegare dispositivi che possono generare disturbi alla stessa linea elettrica del prodotto. In caso contrario si potrebbero verificare danni o malfunzionamenti.
- Se si prevede di utilizzare il prodotto in una rete 1000BASE-T/2.5GBASE-T/5GBASE-T, utilizzare cavi LAN di categoria 5 (CAT5e) o superiore. Se si prevede di utilizzare il prodotto in una rete 10GBASE-T, utilizzare cavi di categoria CAT6 o superiore. Tuttavia, se si prevede di utilizzare il prodotto in una rete 2.5GBASE-T/5GBASE-T/10GBASE-T, la relativa distanza massima di trasmissione potrebbe essere inferiore rispetto al valore standard a causa dell'influenza di cavi adiacenti e del rumore esterno.  
Per dettagli, consultare la "Guida per l'utente" sul sito web Yamaha.

- Nel collegamento con un cavo a collegamento diretto o un cavo STP, assicurarsi che la messa a terra per i dispositivi possieda lo stesso potenziale.

(solo modello SWX2322P-16MT)

- Se si disconnette da una porta LAN un cavo che trasporta alimentazione PoE, attendere almeno 5 secondi prima di riconnetterlo. In caso contrario, si potrebbero causare guasti o malfunzionamenti.

### Manipolazione

---

- Non collocare oggetti in vinile, plastica o gomma sul prodotto.  
Altrimenti, il pannello si può scolorire o deteriorare.
- Prima di toccare il prodotto, rimuovere l'elettricità statica dal proprio corpo o dagli indumenti.  
Altrimenti, l'elettricità statica può causare malfunzionamenti del prodotto.
- Non toccare l'interno dei connettori con le dita o con oggetti metallici.  
La mancata osservanza di tale precauzione potrebbe causare un malfunzionamento o compromettere il contatto.
- Assicurarsi di leggere la guida per l'utente del prodotto sul sito web e quindi collegare solo i moduli SFP specificati (laser di classe 1; venduti separatamente) o i cavi a collegamento diretto (venduti separatamente) alla porta SFP+. In caso contrario, il funzionamento non è garantito.
- Fissare la copertura antipolvere alle porte SFP+ non utilizzate.  
In caso contrario potrebbero infiltrarsi corpi estranei, causando malfunzionamenti. Conservare la copertura antipolvere in un posto sicuro in modo da non smarrirla.
- Se risulta difficile estrarre il cavo a collegamento diretto (venduto separatamente), consultare la Guida per l'utente (disponibile sul sito web) per scollegarlo. Lo scollegamento forzato del cavo potrebbe danneggiare il prodotto o il cavo.

### Manutenzione

---

- Usare un panno morbido e asciutto per pulire il prodotto. Non utilizzare benzina, diluenti, detergenti o panni imbevuti di sostanze chimiche per pulire la superficie del prodotto. Altrimenti, la superficie si può scolorire o deteriorare.

### Smaltimento o trasferimento

---

- Prima di trasferire la proprietà del prodotto o di smaltirlo, assicurarsi di ripristinare le impostazioni predefinite del prodotto. Se si trasferisce la proprietà del prodotto o lo si smaltisce senza ripristinare le impostazioni predefinite, i dati personali potrebbero venire rubati da terzi.

# Informazioni importanti

## NOTA

Questa sezione descrive le precauzioni da osservare durante l'uso, le limitazioni funzionali e le informazioni supplementari che possono essere utili.

### Caratteristiche del prodotto

- Yamaha apporta continuamente miglioramenti e aggiornamenti al software incluso in questo prodotto. È possibile scaricare il software più recente dal sito web di Yamaha.
- Utilizzare prodotti laser di Classe I certificati come trasmettitori-ricevitori di fibra ottica.

Questo è un prodotto di classe A. L'uso di questo prodotto in un ambiente residenziale potrebbe causare interferenze radio.

### Contenuti di questo documento

- Le denominazioni sociali e i nomi dei prodotti riportati in questo documento sono marchi o marchi registrati delle rispettive società.
- I contenuti del presente documento sono conformi alle specifiche più aggiornate alla data di pubblicazione. È possibile scaricare la versione più recente dal sito web di Yamaha.
- È vietata la copia parziale o totale non autorizzata di questo documento.

### Contratto di licenza software

Il numero di revisione del firmware del prodotto può essere aggiornato. L'aggiornamento della revisione del firmware è considerato un'indicazione di accettazione del contratto di licenza del software di rete Yamaha. Prima di aggiornare la revisione del firmware, leggere attentamente il contratto di licenza del software di rete Yamaha.

Se non si accettano i termini del contratto di licenza del software di rete Yamaha, non aggiornare la revisione del firmware.

Anche in caso di negligenza, Yamaha non si assume alcuna responsabilità per eventuali perdite causate dal software, a meno che tale esclusione di responsabilità non sia specificamente proibita da leggi o regolamenti applicabili.

### Contratto di licenza software per prodotti di rete Yamaha

<https://www.rtpro.yamaha.co.jp/RT/docs/firmware/license/LICENSE>

### Software open-source utilizzato da questo prodotto

Visitare il seguente sito web per il relativo contratto di licenza.

<https://www.yamahaproaudio.com/>

### Smaltimento o trasferimento

- Se si prevede di trasferire la proprietà del prodotto, includere questo documento e gli accessori in dotazione insieme all'unità.
- Seguire le regole delle autorità locali per lo smaltimento di questo prodotto e dei suoi accessori.
- Seguire le regole delle autorità locali per lo smaltimento delle batterie usate. Questo prodotto utilizza una batteria al litio di riserva per il funzionamento dell'orologio.

### Targhetta dei dati nominali del prodotto

Il numero di modello e quello di serie, i requisiti di alimentazione e altre informazioni del prodotto si trovano sulla piastrina o vicino alla stessa. La piastrina del prodotto si trova nella parte superiore dell'unità. Annotare il numero di serie nello spazio indicato di seguito e conservare il manuale come documento di comprovazione dell'acquisto; in tal modo, in caso di furto, l'identificazione sarà più semplice.

Numero del modello

Numero di serie

(1003-M06 plate top it 01)

# Introduzione

---

Grazie per aver acquistato questo prodotto Yamaha.

- Assicurarsi prima di leggere il documento separato “Precauzioni”
- Per un uso corretto e sicuro del prodotto, assicurarsi di osservare le avvertenze e gli avvisi nel manuale.
- Conservare il manuale in un posto sicuro in modo da non smarrirlo.

## Informazioni sul sito web

Gli accessori opzionali, la guida per l'utente, il riferimento dei comandi e i dati tecnici sono disponibili sul sito web di Yamaha.

<https://www.yamahaproaudio.com/>

## Contenuto della confezione

Accertarsi che i seguenti articoli siano inclusi nella confezione.

- Leggere prima dell'uso (il presente documento): 1 pz.
- Cavo di alimentazione: 1 pz.
- Morsetto del cavo di alimentazione (utilizzato solo per il cavo di alimentazione dedicato incluso): 1 pz.
- Coperture antipolvere (preinstallate sulle porte SFP+ quando il prodotto viene spedito): 4 pz.
- Gambe (piedini di gomma): 4 pz.
- Supporti metallici per il montaggio su rack da 19": 2 pz.
- Supporti metallici per il montaggio su parete: 2 pz.
- Viti (M3 x 8L): 8 pz.

### Nota

Il diametro del filo della vite è di 3,0 mm, il diametro della testa della vite è di 5,5 mm e la lunghezza è di 8,0 mm.

## Articoli venduti separatamente

I dettagli sono forniti sul sito web.

Prima dell'uso, accertarsi di leggere i manuali di istruzioni degli altri prodotti e la Guida per l'utente.

## Software e documenti correlati

I seguenti manuali sono preparati secondo l'uso previsto del prodotto.

Leggere il relativo manuale in base alla specifica applicazione.

- Leggere prima dell'uso (il presente documento)  
Descrive le precauzioni per l'uso del prodotto. Assicurarsi di leggere prima dell'uso.
- Guida per l'utente (sito web)  
Descrive come installare, collegare e impostare il prodotto e altre opzioni.
- Riferimento dei comandi (sito web)  
Descrive il formato dei comandi di configurazione del prodotto ed esempi di utilizzo.
- Riferimento tecnico (sito web)  
Descrive informazioni dettagliate sulle caratteristiche del prodotto.
- Guida per la "schermata Impostazioni web"  
Descrive spiegazioni dettagliate su ciascuna voce di impostazione.

Viene preparato il seguente software.

- **Monitor LAN Yamaha**  
Si tratta di un applicazione utilizzata per monitorare le informazioni dell'unità e l'intera rete, inclusi tutti i dispositivi Dante sulla rete Dante e la guida per l'utente di questa applicazione.

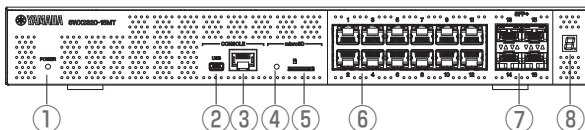
È possibile scaricare il suddetto software dal seguente sito web.

<https://www.yamahaproaudio.com/>

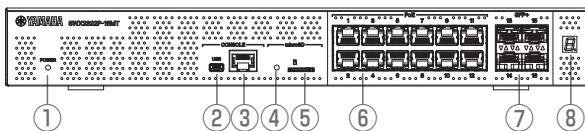
# Controlli e connettori

## Pannello frontale

### SWX2320-16MT



### SWX2322P-16MT



### Nota

I molti fori sul lato anteriore sono aperture di raffreddamento per aspirare l'aria esterna.

#### ① Indicatore POWER

Si illumina quando l'unità è alimentata.

#### ② Porta CONSOLE mini-USB

Porta mini-USB per effettuare le impostazioni. Utilizzare un cavo USB per collegarla alla porta USB di un computer.

#### ③ Porta CONSOLE RJ-45

Porta RJ-45 per effettuare le impostazioni. Utilizzare un cavo per console RJ-45/DB-9 per collegarla al connettore RS-232C (porta COM) del computer.

#### ④ Indicatore microSD

Indica lo stato di collegamento e di funzionamento della scheda microSD.

#### ⑤ Slot microSD

È possibile inserire una scheda microSD nello slot.



## ⑥ Porte LAN

Queste porte supportano 100BASE-TX, 1000BASE-T, 2.5GBASE-T, 5GBASE-T e 10GBASE-T. Le porte SWX2322P-16MT forniscono alimentazione PoE. Sono compatibili con IEEE 802.3bt.

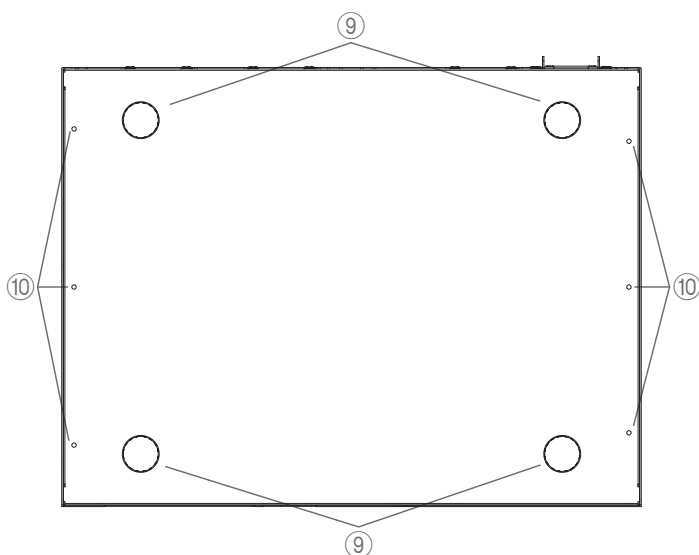
## ⑦ Porte SFP+

Queste porte supportano 1000BASE-SX, 1000BASE-LX, 10GBASE-SR e 10GBASE-LR. Installare il modulo SFP (venduto separatamente) e il cavo a collegamento diretto (venduto separatamente.)

## ⑧ Indicatore ID stack

Display a sette segmenti che indica l'ID dello stack quando è utilizzato un collegamento stack.

## Pannello inferiore



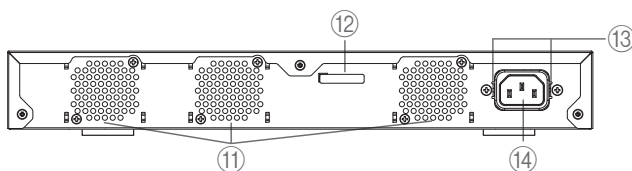
⑨ **Guide per il collegamento dei piedini in gomma**

Questi sono i punti in cui fissare i piedini in gomma quando si posiziona l'unità su una superficie piana.

⑩ **Fori di fissaggio per l'accessorio per il montaggio a parete**

Questi sono i fori delle viti per fissare l'accessorio per il montaggio a parete in caso di installazione a parete o a soffitto.

## Pannello posteriore



### 11 Fori di ventilazione

Questi sono i fori per l'espulsione forzata tramite ventole del calore prodotto all'interno del prodotto.

### 12 Numero di serie

L'etichetta del prodotto ha la stessa indicazione.

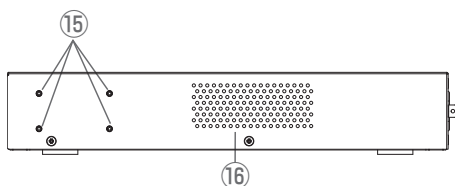
### 13 Fori di fissaggio del morsetto del cavo di alimentazione

Il morsetto del cavo di alimentazione (a forma di C) incluso può essere fissato qui.

### 14 Presa di alimentazione (connettore a tre pin, tipo C14)

Inserire qui il cavo di alimentazione incluso.

## Pannello laterale



### 15 Fori di fissaggio per l'accessorio per il montaggio su rack

Questi sono i fori delle viti per fissare l'accessorio per il montaggio in rack in caso di installazione in un rack da 19 pollici (1U).

### 16 Prese d'aria

I fori in questo prodotto sono prese per l'ingresso di aria esterna tramite ventola.

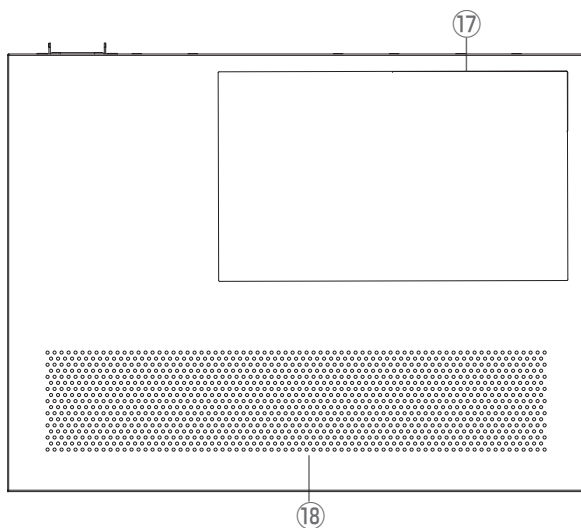


### AVVERTENZA

**Non ostruire le prese d'aria né collocare oggetti in prossimità delle stesse.**

La mancata osservanza di questa indicazione potrebbe causare un incendio o malfunzionamenti.

## Pannello superiore



**17 Etichetta del prodotto**

Elenca il nome del modello, il numero di serie, l'indirizzo MAC e così via di questa unità.

**18 Prese d'aria**

I fori in questo prodotto sono prese per l'ingresso di aria esterna.

# Appendice

## Specifiche tecniche hardware

Articolo		SWX2320-16MT	SWX2322P-16MT
Porte LAN	Standard	IEEE802.3 (100BASE-TX/ 1000BASE-T/ 2.5GBASE-T/ 5GBASE-T/ 10GBASE-T)	
	Numero di porte	12	
	Modalità di comunicazione	Negoziazione automatica	
	Connettore	RJ-45	
	Polarità	Rilevamento automatico di diretta/ inversa oppure fissa diretta	
PoE	Numero di porte	—	12
	Standard	—	IEEE 802.3bt tipo 4 (classe 0 - 8)
	Sistema di alimentazione	—	Alternativa A / Alternativa B
	Alimentazione massima	—	90 W / porta, 250 W / intera unità
	Dispositivi alimentati via PoE compatibili	—	Dispositivi alimentati via PoE conformi ai seguenti standard: IEEE 802.3af IEEE 802.3at IEEE 802.3bt
Porte SFP+	Standard	IEEE802.3z (1000BASE-SX/ 1000BASE-LX) IEEE802.3ae (10GBASE-SR/ 10GBASE-LR)	
	Numero di porte	4	
Dimensioni escluse sporgenze e piedini		330 mm(L) × 44 mm(P) × 250 mm(A)	
Peso (senza gli articoli inclusi)		2,7 kg	2,9 kg
Frequenza della tensione di alimentazione		CA 100 – 240 V, 50/60 Hz	
Consumo elettrico massimo		84 W	385 W

## Appendice

Articolo		SWX2320-16MT	SWX2322P-16MT
Porta CONSOLE	Standard	RS-232C, USB 2.0	
	Connettore	RJ-45, USB mini-B (5 pin)	
	Velocità di trasmissione dei dati	9600 (velocità predefinita) / 19200/ 38400/ 57600/ 115200 bit/s	
Slot microSD	Standard	microSD/ microSDHC	
	File System	FAT16/ FAT32	
Indicatori		POWER, microSD, ID STACK, porta LAN (LINK/ ACT, SPEED), porta SFP+ (LINK/ ACT, SPEED)	
Numero di ventole		3	
Indirizzo MAC		Indicato nell'etichetta del prodotto sul pannello superiore dell'unità	
Condizioni dell'ambiente operativo	Temperatura ambiente	0 – 50 °C	
	Umidità ambientale	15 – 80% (senza condensa)	
Condizioni dell'ambiente di magazzinaggio	Temperatura ambiente	–20 – 60 °C	
	Umidità ambientale	10 – 90% (senza condensa)	

# ПРАВИЛА ТЕХНИКИ БЕЗОПАСНОСТИ

Прежде чем приступить к работе, внимательно ознакомьтесь с мерами предосторожности.

## Обязательно следуйте ЭТИМ ИНСТРУКЦИЯМ

Чтобы не допустить травмы или повреждения личного имущества, внимательно прочтите и соблюдайте следующие меры предосторожности.

После внимательного ознакомления с данным документом храните его в месте, доступном любому пользователю изделия в любое время.

- Для проверки или ремонта обращайтесь в следующие центры обслуживания клиентов.
  - Магазин, в котором вы приобрели изделие
  - Дилер Yamaha
- Данное изделие предназначено для использования в качестве офисного оборудования общего назначения. Не используйте его в каких-либо сферах, требующих высокой степени надежности в отношении жизни людей.
- Имейте в виду, что Yamaha не несет ответственности за любые убытки, возникшие в результате неправильного использования или несанкционированной модификации изделия.



## ПРЕДУПРЕЖДЕНИЕ

**Эти меры предосторожности предупреждают вас о возможности смерти или серьезной травмы для вас или окружающих.**

### Внештатные ситуации

- При возникновении какого-либо из следующих отклонений от нормы немедленно отключите питание.
  - Шнур питания или вилка повреждены.
  - От изделия исходит необычный запах, шум или дым.
  - В изделие попал какой-либо предмет или вода.
  - На изделии появились трещины или другие повреждения.
  - Остановился охлаждающий вентилятор.Чтобы отключить питание, выполните следующие действия.
  - Отсоедините вилку шнура питания от розетки переменного тока.Продолжение использования изделия в состоянии «как есть» может привести к возгоранию, поражению электрическим током или неисправности. Немедленно обратитесь к специалистам для проведения проверки или ремонта.

### Источник питания

- Не повреждайте шнур питания.
    - Не размещайте шнур питания возле источников тепла, например обогревателей.
    - Не сгибайте с усилием и не модифицируйте шнур питания.
    - Не повреждайте шнур питания.
    - Не кладите тяжелые предметы на шнур питания.
    - Не скрепляйте шнур питания скобами.Использование изношенного шнура питания с оголенным проводом может привести к возгоранию, поражению электрическим током или неисправности.
  - Во время молнии или грозы не прикасайтесь к данному изделию, штепсельной вилке или шнуру питания. В противном случае возможно поражение электрическим током.
  - Используйте напряжение, указанное для данного изделия. Использование несоответствующего напряжения может привести к возгоранию, поражению электрическим током или неисправности.
  - Обязательно используйте прилагаемый шнур питания.
    - Шнур питанияВ противном случае это может привести к возгоранию, ожогам или неисправности.
  - Периодически проверяйте вилку шнура питания и удаляйте скопившуюся грязь или пыль. В противном случае возможно возгорание или поражение электрическим током.
  - Убедитесь, что вилка шнура питания полностью вставлена в розетку переменного тока. В противном случае это может привести к поражению электрическим током, возгоранию или неисправности из-за короткого замыкания.
  - Вставьте вилку шнура питания в легкодоступную розетку переменного тока, находящуюся в пределах видимости.
  - Если вы не планируете использовать устройство в течение длительного времени, отсоедините вилку шнура питания от розетки переменного тока. В противном случае это может привести к возгоранию или неисправности.
- (Только модель SWX2322P-16MT)
- Если вы планируете подключить питаемое устройство, соответствующее стандартам IEEE802.3af, IEEE802.3at и/или IEEE802.3bt, используйте кабель Ethernet, поддерживающий питание PoE. Несоблюдение данного предостережения может привести к возгоранию или неисправности.
  - Не связывайте в пучок большое количество LAN-кабелей, подающих питание PoE. Повышенная температура в зоне связывания может привести к возгоранию, поломке или неисправности. Чтобы температура кабеля не превышала температурный номинал кабеля, ограничьте количество связанных в пучок кабелей. SWX2322P-16MT следует подключать только к сетям PoE без маршрутизации на внешнее предприятие. В противном случае может возникнуть неисправность или возгорание.

## Подключения

---

- Вставьте штепсельную вилку шнура питания в соответствующую розетку переменного тока с защитным заземлением. Если устройство не заземлено должным образом, это может привести к поражению электрическим током, возгоранию или неисправности.

## Не разбирайте

---

- Не модифицируйте и не разбирайте данное изделие. В противном случае это может привести к возгоранию, поражению электрическим током, травме или неисправности.

## Бережь от воды

---

- Не используйте данное изделие в сырых или влажных условиях, например в ванной или на улице под дождем. Если жидкость прольется на изделие, это может привести к возгоранию, поражению электрическим током или неисправности.
- Не ставьте на это изделие какие-либо емкости (например, вазы или флаконы с лекарствами), содержащие жидкости. Если жидкость прольется на изделие, это может привести к возгоранию, поражению электрическим током или неисправности.
- Не вставляйте штепсельную вилку шнура питания в розетку переменного тока и не вынимайте ее мокрыми руками. Не беритесь за данное изделие мокрыми руками. В противном случае это может привести к поражению электрическим током или неисправности.

## Бережь от огня

---

- Не обращайтесь с открытым огнем вблизи данного изделия. В противном случае может возникнуть пожар.

## Обращение с устройством

---

- Не роняйте данное изделие и не подвергайте его сильному механическому воздействию. В противном случае это может привести к возгоранию, поражению электрическим током или неисправности.

## Батарея резервного питания

---

- Не заменяйте батарею резервного питания самостоятельно. Это может привести к взрыву или неисправности изделия. Если батарею необходимо заменить, обратитесь к дилеру Yamaha и попросите, чтобы замена батареи была выполнена квалифицированным обслуживающим персоналом Yamaha.
- Не разбирайте батарею. Если содержимое батареи попадет на ваши руки или в глаза, это может привести к слепоте или химическим ожогам.
- Не выбрасывайте батарею в огонь. Не подвергайте батарею воздействию чрезвычайно низкого давления воздуха, холода или жары (например, прямого солнечного света или огня) либо чрезмерной пыли или влажности. Это может привести к взрыву батареи, стать причиной возгорания или получения травмы.

- Не помещайте данное изделие в месте, где давление воздуха чрезвычайно низкое. Это может привести к взрыву батареи, стать причиной возгорания или получения травмы.



## ВНИМАНИЕ

### Данные меры предосторожности предупреждают пользователя о возможности физической травмы.

### Источник питания

---

- Если штепсельная вилка шнура питания, вставленная в розетку переменного тока, шатается или неплотно крепится, не используйте такую розетку. В противном случае это может привести к возгоранию, поражению электрическим током или ожогам.
- Вынимая штепсельную вилку шнура питания из изделия или розетки, всегда держитесь за вилку, а не за шнур. В противном случае шнур питания может быть поврежден, что приведет к возгоранию или поражению электрическим током.

### Установка

---

- Не размещайте данное изделие в неустойчивом положении или в месте, подверженном вибрации. В противном случае изделие может упасть или опрокинуться, что приведет к травмам, неисправности или повреждению.
- Не блокируйте рассеивание тепла данным изделием при его установке.
  - Не накрывайте изделие тканью или скатертью.
  - Не устанавливайте изделие на ковер или ковровое покрытие.
  - Не блокируйте вентиляционные отверстия (отверстия для забора наружного воздуха, отвода тепла и вытяжки вентилятора).
  - Не используйте изделие в тесном, плохо вентилируемом месте. Недостаточная вентиляция может привести к перегреву внутри изделия и вызвать возгорание или неисправность.
- Установите данное изделие в соответствии с инструкциями, описанными в следующем руководстве.
  - Руководство пользователя (на нашем веб-сайте)
- Не ставьте данное изделие на или под другие устройства, т.к. это может вызвать возгорание или ожоги.
- Не устанавливайте изделие в местах, где оно может контактировать с соленым воздухом, агрессивными газами, масляным дымом или паром. В противном случае изделие может упасть или опрокинуться, что приведет к травмам, неисправности или повреждению.
- Перед перемещением данного изделия обязательно отсоедините все подключаемые кабели. В противном случае о кабели можно зацепиться ногой или рукой и изделие может упасть или опрокинуться, что приведет к травмам, неисправности или повреждению.



- При монтаже изделия на стене, на потолке или в стойке обязательно обращайтесь к квалифицированному специалисту. При необходимости обратитесь в магазин, где вы приобрели изделие, или в специализированную строительную компанию. Неправильная установка может привести к травмам, повреждению или неисправности изделия.
- Убедитесь, что завершенная установка является безопасной и надежной. Также периодически выполняйте проверки безопасности. Несоблюдение этого указания может привести к падению устройств и получению травмы.
- При горизонтальной установке обязательно прикрепите резиновые ножки. В противном случае возможно возгорание или получение ожогов. Убедитесь, что законченная установка безопасна и надежна. Кроме того, периодически проводите проверки по безопасности. Несоблюдение этого требования может вызвать падение устройств, что приведет к травме.

## Подключения

---

- Если вы планируете подключать внешние устройства, сначала прочтите руководство пользователя для каждого устройства и подключайте их в соответствии с инструкциями. Если вы не будете должным образом следовать инструкциям, это может привести к травме или неисправности.

## Техническое обслуживание

---

- Перед очисткой изделия обязательно отсоедините штепсельную вилку шнура питания от розетки переменного тока. В противном случае возможно поражение электрическим током.

## Обращение с устройством

---

- Не вставляйте руки или пальцы в какие-либо щели на данном изделии. В противном случае это может привести к травме.
- Не роняйте посторонние предметы, например металлические предметы или бумагу, в какую-либо щель на данном изделии. В противном случае это может привести к возгоранию, поражению электрическим током или неисправности.
- Храните мелкие детали подальше от маленьких детей. В противном случае они могут случайно их проглотить.
- Не прикладывайте к данному изделию следующих чрезмерных усилий.
  - Опирание своим весом на данное изделие
  - Размещение тяжелых предметов на данном изделии
  - Штабелирование данного изделия
  - Приложение чрезмерного усилия к кнопкам или разъемам ввода/вывода
  - Навешивание на данное изделие
  - Облокачивание на данное изделие
 В противном случае это может привести к травме, поражению электрическим током, неисправности или повреждению.
- Не тяните за подключенные кабели. В противном случае изделие может упасть или опрокинуться, что приведет к травмам, неисправности или повреждению.

# Меры предосторожности при использовании

## УВЕДОМЛЕНИЕ

---

Следуйте приведенным ниже мерам предосторожности, чтобы избежать неисправности и повреждения данного изделия, а также предотвратить потерю данных.

### Установка

---

- Если вы слышите шум, измените расположение или ориентацию изделия, либо окружающую обстановку. В зависимости от окружающей обстановки, в которой вы используете изделие, телефон, радио или телевизор могут создавать шум.
- Не устанавливайте данное изделие в местах, подверженных:
  - Прямому солнечному свету
  - Чрезвычайно высоким или низким температурам
  - Чрезмерной пылиВ противном случае может возникнуть неисправность, деформация или искажение.
- Не устанавливайте данное изделие в месте, где может образовываться конденсат из-за быстрых и резких изменений температуры окружающей среды. Использование изделия при наличии в нем сконденсировавшейся влаги может привести к его неисправности. Если есть основания полагать, что на изделии или внутри него мог образоваться конденсат, оставьте его на несколько часов, не включая питание. Вы можете начинать использовать изделие, когда конденсат полностью высохнет.
- Не устанавливайте данное изделие в месте, подверженном сильным электромагнитным волнам. В противном случае может возникнуть неисправность.
- Не прокладывайте телекоммуникационные кабели рядом со шнуром питания. В противном случае может быть наведено высокое напряжение, что приведет к неисправности.
- Не используйте для установки комплект для монтажа на стене или в стойке, отличный от прилагаемого в комплекте.

### Подключения

---

- Не подключайте данное устройство напрямую к общественным сетям Wi-Fi и (или) Интернету. Подключайте данное устройство к Интернету только через маршрутизатор с надежной парольной защитой. Обратитесь к производителю своего маршрутизатора для получения информации о лучших способах защиты.
- Не подсоединяйте устройства, генерирующие помехи, к той же линии электропитания, что и устройство. Это может привести к повреждению или неисправности.
- Если вы планируете использовать данное изделие в сети 1000BASE-T / 2.5GBASE-T / 5GBASE-T, используйте LAN-кабели улучшенной категории 5 (CAT5e) или выше. Если вы планируете использовать данное

изделие в сети 10GBASE-T, используйте кабели категории 6 (CAT6) или выше. Однако, если вы планируете использовать данное изделие в сети 2.5GBASE-T / 5GBASE-T / 10GBASE-T, итоговое максимальное расстояние передачи может быть меньше стандартного значения из-за влияния соседних кабелей и внешнего шума. Подробнее см. в «Руководстве пользователя» на веб-сайте Yamaha.

- При подключении с помощью кабеля прямого подключения или кабеля STP убедитесь, что потенциал заземления для устройств совпадает. (Только модель SWX2322P-16MT)
- Если кабель, подающий питание PoE, отключен от LAN-порта, подождите не менее 5 секунд, прежде чем снова подключать его. Невыполнение этого требования может привести к сбою или неисправности в работе.

### Обращение с устройством

---

- Не кладите на данное изделие виниловые, пластиковые или резиновые изделия. В противном случае панель может обесцветиться или испортиться.
- Прежде чем прикоснуться к данному изделию, снимите статическое электричество со своего тела или одежды. В противном случае статическое электричество может привести к неисправности изделия.
- Не прикасайтесь к внутренней части разъемов пальцами или металлическими предметами. Это может стать причиной неисправности или плохого контакта.
- Обязательно прочтите руководство пользователя для этого изделия на веб-сайте, а затем подключайте к слоту SFP+ только указанные модули SFP (лазер класса I; продаются отдельно) или кабели прямого подключения (продаются отдельно). При подключении модуля SFP или кабеля прямого подключения, отличного от указанных, работа устройства не может быть гарантирована.
- Прикрепите пылезащитную крышку к неиспользуемым слотам SFP+. В противном случае в них могут попасть посторонние предметы, что может привести к неисправности. Храните заглушки для защиты от пыли в безопасном месте, чтобы не потерять их.
- Если вы испытываете трудности при отсоединении кабеля прямого подключения (продается отдельно), обратитесь к руководству пользователя (доступно на веб-сайте), чтобы отключить его. Использование чрезмерного усилия для отсоединения кабеля может повредить изделие или кабель прямого подключения.

### Техническое обслуживание

---

- Используйте сухую мягкую ткань для очистки данного изделия. Не используйте бензин, разбавитель, моющее средство или химическую салфетку для очистки поверхности изделия. В противном случае поверхность может изменить цвет или испортиться.

### Утилизация или передача

---

- Перед тем, как передать право собственности или утилизировать данное изделие, инициализируйте настройки изделия по умолчанию. Если вы передадите право собственности или утилизируете данное изделие без инициализации настроек, третья сторона может получить несанкционированный доступ к вашим личным данным.

# Важная информация

## ПРИМЕЧАНИЕ

В данном разделе описаны меры предосторожности, которые необходимо соблюдать во время использования, функциональные ограничения и дополнительная информация, которая может быть вам полезна.

### Функции изделия

- Yamaha постоянно совершенствует и обновляет программное обеспечение, включенное в данное изделие. Вы можете загрузить последнюю версию программного обеспечения с веб-сайта Yamaha.
- Используйте сертифицированный лазерный оптоволоконный трансивер класса I.

Это изделие класса А. Эксплуатация данного изделия в жилых средах может привести к возникновению радиопомех.

### Содержание данного документа

- Названия компаний и изделий в этом документе являются товарными знаками и зарегистрированными товарными знаками соответствующих компаний.
- Содержание данного документа соответствует последним на дату публикации техническим характеристикам. Вы можете загрузить последнюю версию с веб-сайта Yamaha.
- Несанкционированное копирование данного документа частично или полностью запрещено.

### Лицензионное соглашение о праве на использование программного обеспечения

Номер версии встроенного программного обеспечения изделия можно обновить. Обновление версии встроенного программного обеспечения означает согласие с условиями лицензионного соглашения на использование программного обеспечения сетевого изделия Yamaha. Перед обновлением версии встроенного программного обеспечения обязательно внимательно прочтите лицензионное соглашение на использование программного обеспечения сетевого изделия Yamaha.

Если вы не можете согласиться с условиями лицензионного соглашения на использование программного обеспечения сетевого изделия Yamaha, не обновляйте версию встроенного программного обеспечения.

Даже в случае неосторожности Yamaha не несет ответственности за любые убытки клиента, возникшие из-за программного обеспечения, если только такой отказ от ответственности прямо не запрещен соответствующим законом или постановлением.

### Лицензионное соглашение на использование программного обеспечения сетевого изделия Yamaha

<https://www.rtpro.yamaha.co.jp/RT/docs/firmware/license/LICENSE>

### Программное обеспечение с открытым исходным кодом, используемое в данном изделии

Посетите следующий веб-сайт для получения соответствующего лицензионного соглашения.  
<https://www.yamahaproaudio.com/>

### Утилизация или передача

- Если вы планируете передать право собственности на данное изделие, включите этот документ и прилагаемые аксессуары в комплект.
- Соблюдайте правила местных органов управления по утилизации данного изделия и его принадлежностей.
- Соблюдайте правила местных органов управления относительно утилизации использованных батарей. В данном изделии используется литиевая батарейка для резервного питания часов.

### Паспортная табличка данного изделия

Номер модели, серийный номер, требования к источнику питания и пр. указаны на табличке с названием изделия в верхней части устройства или рядом с ней. Запишите серийный номер в расположенном ниже поле и сохраните данное руководство как подтверждение покупки; это поможет идентифицировать принадлежность устройства в случае кражи.

**Номер модели.**

**Серийный номер.**

(1003-M06 plate top ru 01)

# Введение

---

Благодарим вас за приобретение данного продукта Yamaha.

- Сначала обязательно прочтите отдельный документ «Правила техники безопасности».
- Для правильного и безопасного использования данного продукта обязательно соблюдайте все предупреждения и меры предосторожности в данном руководстве.
- Храните данное руководство в безопасном месте, чтобы не потерять его.

## Информация о веб-сайте

Дополнительные аксессуары, руководство пользователя, справочник по командам и технические данные

представлены на веб-сайте Yamaha.

<https://www.yamahaproaudio.com/>

## Комплект поставки

Проверьте комплект поставки на наличие следующих компонентов.

- Прочитайте в первую очередь (настоящий документ): 1 шт.
- Кабель питания: 1 шт.
- Зажим кабеля питания (используется только для специального кабеля, включенного в комплект): 1 шт.
- Заглушки для защиты от пыли (предустановлены на слотах SFP+ при поставке изделия): 4 шт.
- Резиновые ножки: 4 шт.
- Крепеж для установки в 19-дюймовую стойку: 2 шт.
- Крепеж для установки на стене: 2 шт.
- Винты (M3 x 8L): 8 шт.

### Примечание

Диаметр винтовой резьбы 3,0 мм, диаметр головки винта 5,5 мм, длина винта 8,0 мм.

## Отдельно приобретаемые компоненты

Подробная информация представлена на веб-сайте.

Обязательно перед использованием прочтите инструкцию по эксплуатации для других продуктов и руководство пользователя для данного продукта.

## Связанное программное обеспечение и документы

В соответствии с назначением данного продукта представлены следующие документы.

Прочтите соответствующий документ, предназначенный для решения конкретной задачи.

- Прочитайте в первую очередь (настоящий документ)  
Содержит описание мер предосторожности при использовании данного продукта. Обязательно прочтите перед использованием.
- Руководство пользователя (на веб-сайте)  
Содержит описание процессов установки, подключения и настройки данного продукта и других функций.
- Справочник по командам (на веб-сайте)  
Содержит описание формата команд для настройки данного продукта и пример использования.
- Технический справочник (на веб-сайте)  
Содержит подробную информацию о функциях данного продукта.
- Справка по функции Web Settings Screen  
Содержит подробное описание каждого параметра настройки.

Подготовлено следующее программное обеспечение.

- **Yamaha LAN Monitor**  
Это приложение, используемое для мониторинга информации о данном устройстве и всей сети, включая все устройства Dante в сети Dante, и руководство пользователя для данного приложения.

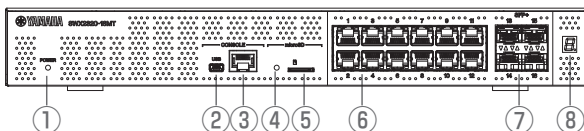
Вышеперечисленное программное обеспечение можно загрузить со следующего веб-сайта.

<https://www.yamahaproaudio.com/>

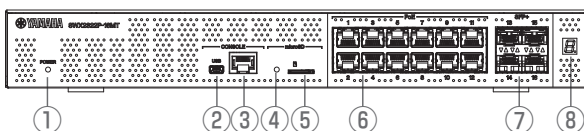
# Органы управления и разъемы

## Передняя панель

SWX2320-16MT



SWX2322P-16MT



### Примечание

Множественные отверстия на передней панели предназначены для охлаждения и забора наружного воздуха.

#### ① Индикатор POWER (Питание)

Индикатор горит, когда на устройство подается электропитание.

#### ② Порт mini-USB CONSOLE

Это порт mini-USB, который служит для внесения изменений в настройки. Используйте кабель USB для подключения его к порту USB на компьютере.

#### ③ Порт RJ-45 CONSOLE

Это порт RJ-45, который служит для внесения изменений в настройки. Используйте консольный кабель RJ-45/DB-9 для подключения этого порта к разъему RS-232C (COM-порт) на компьютере.

#### ④ Индикатор microSD

Указывает состояние подключения и функционирования карты microSD.

#### ⑤ Разъем microSD

В этот разъем может быть вставлена карта microSD.

### ⑥ Порты локальной сети

Эти порты поддерживают 100BASE-TX, 1000BASE-T, 2.5GBASE-T, 5GBASE-T и 10GBASE-T. Порты SWX2322P-16MT поддерживают подачу питания PoE. Они соответствуют стандарту IEEE 802.3bt.

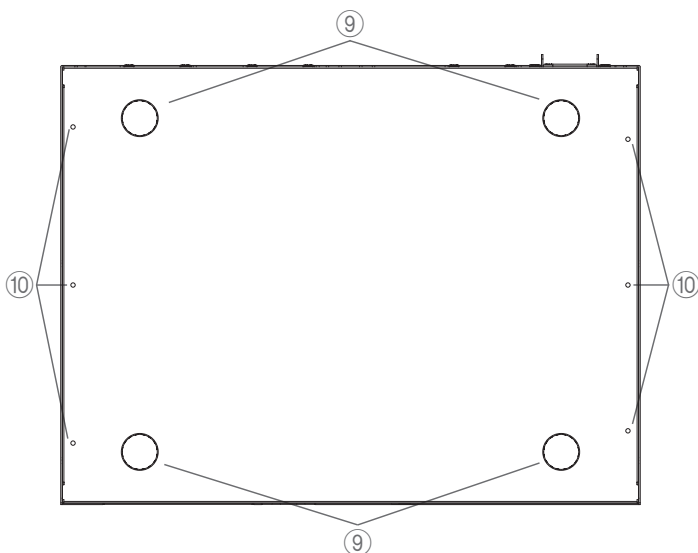
### ⑦ Слоты SFP+

Эти слоты поддерживают 1000BASE-SX, 1000BASE-LX, 10GBASE-SR и 10GBASE-LR. Установите модуль SFP (продается отдельно) и кабель прямого подключения (продается отдельно).

### ⑧ Индикатор Stack ID

Это дисплей, состоящий из 7 сегментов, отображающих идентификатор стека, если используется подключение в режиме стека.

## Нижняя панель



⑨ **Отверстия для крепления резиновых ножек**

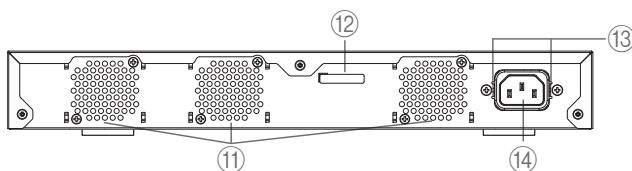
Места для крепления резиновых ножек при размещении продукта на ровной горизонтальной поверхности.

⑩ **Отверстия для монтажа на стене**

Отверстия для винтов, позволяющие прикрепить прилагаемое в комплекте приспособление для монтажа на стене при установке продукта на стене или на потолке.

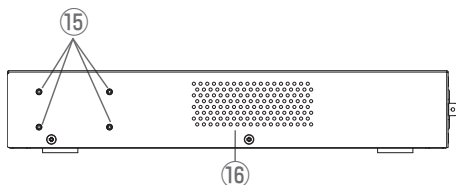


## Задняя панель



- 11 Вентиляционные отверстия**  
 Отверстия для принудительного отвода генерируемого внутри тепла с помощью вентиляторов.
- 12 Серийный номер**  
 Этикетка изделия имеет аналогичное обозначение.
- 13 Отверстия для фиксации зажимов кабеля питания**  
 Сюда можно подсоединить C-образный зажим кабеля питания.
- 14 Входной разъем источника питания (трехконтактный разъем типа C14)**  
 Сюда следует вставить входящий в комплект поставки кабель питания.

## Боковая панель



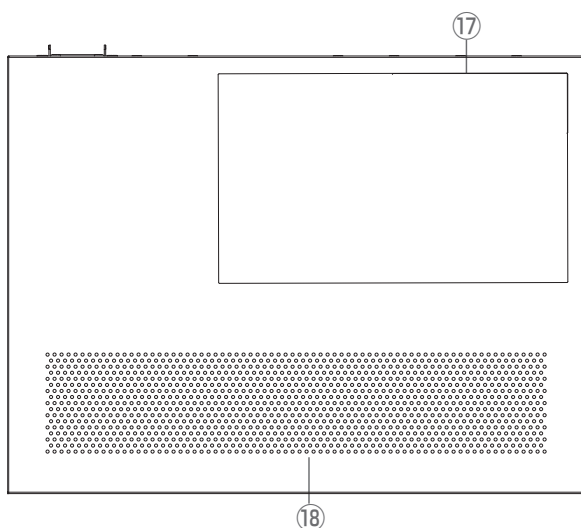
- 15 Отверстия для крепления приспособления для установки в стойку**  
 Отверстия для винтов, позволяющие прикрепить прилагаемое в комплекте приспособление для установки в стойку при размещении продукта в 19-дюймовой стойке (1U).
- 16 Отверстия для охлаждения**  
 Отверстия в данном продукте предназначены для охлаждения с помощью вентилятора за счет притока внешнего воздуха.



### ПРЕДУПРЕЖДЕНИ

**Не блокируйте отверстия для охлаждения и не помещайте объекты рядом с ними. Это может привести к пожару или возникновению неисправности.**

## Верхняя панель



**17** **Этикетка устройства**

Здесь указывается название модели, серийный номер, MAC-адрес этого устройства и т. д.

**18** **Отверстия для охлаждения**

Отверстия в данном изделии являются вентиляционными отверстиями для притока внешнего воздуха.

# Приложение

## Характеристики оборудования

Элемент		SWX2320-16MT	SWX2322P-16MT
Порты локальной сети	Стандарт	IEEE802.3 (100BASE-TX/ 1000BASE-T/ 2.5GBASE-T/ 5GBASE-T/ 10GBASE-T)	
	Количество портов	12	
	Режим связи	Автоматическое согласование	
	Разъем	RJ-45	
	Полярность	Автоматическое определение прямого/ перекрестного кабеля либо фиксация в режиме прямого кабеля	
PoE	Количество портов	—	12
	Стандарт	—	IEEE 802.3bt тип 4 (класс 0 - 8)
	Система подачи питания	—	Alternative A / Alternative B
	Максимальный источник питания	—	90 Вт / порт, 250 Вт / все устройство
	Совместимые устройства с питанием PoE	—	Устройства с питанием PoE, которые соответствуют следующим стандартам: IEEE 802.3af IEEE 802.3at IEEE 802.3bt
Слоты SFP+	Стандарт	IEEE802.3z (1000BASE-SX/ 1000BASE-LX) IEEE802.3ae (10GBASE-SR/ 10GBASE-LR)	
	Количество слотов	4	
Размеры без выступающих частей и ножек		330 мм (Ш) × 44 мм (Г) × 250 мм (В)	

## Приложение

Элемент		SWX2320-16MT	SWX2322P-16MT
Вес (без прилагаемых компонентов)		2,7 кг	2,9 кг
Напряжение и частота источника питания		100–240 В пер. тока, 50/60 Гц	
Максимальная потребляемая мощность		84 Вт	385 Вт
Порт CONSOLE	Стандарт	RS-232C, USB 2.0	
	Разъем	RJ-45, USB mini-B (5-контактный)	
	Скорость передачи данных	9600 (значение по умолчанию) / 19200 / 38400 / 57600 / 115200 бит/с	
Разъем microSD	Стандарт	microSD/ microSDHC	
	Файловая система	FAT16/ FAT32	
Индикаторы		POWER, microSD, STACK ID, порт локальной сети (LINK/ ACT, SPEED), порт SFP+ (LINK/ ACT, SPEED)	
Количество вентиляторов		3	
MAC-адрес		Указан на ярлыке изделия на верхней панели	
Условия эксплуатации	Температура окружающей среды	0 – 50 °C	
	Влажность	15 – 80% (без конденсата)	
Условия хранения	Температура окружающей среды	–20 – 60 °C	
	Влажность	10 – 90% (без конденсата)	

# 注意事项

在继续使用之前，请仔细阅读这些注意事项。

## 请务必按照这些指示操作

请仔细阅读并遵守以下注意事项，以免造成人身伤害或损坏您的资产。

在仔细阅读完本文档后，请将其保存在本产品的使用人员可以随时取阅的地方。

- 如需检查或维修本产品，请联系以下客户中心。
  - 您购买本产品的商店
  - Yamaha 经销商
- 本产品旨在作为一般办公设备使用。切勿在与人类生命息息相关且需要高度可靠性的领域中使用本产品。
- 请注意，Yamaha 公司对因使用不当或未经授权更改本产品而造成的任何损失概不负责。



## 警告

这些注意事项提醒您注意自己或他人有死亡或受重伤的可能性。

## 当您注意到任何异常情况时

- 如果出现下列任何一种异常情况时，请立即关闭电源。
    - 电源线或插头损坏。
    - 本产品散发出异味，产生噪音或烟雾。
    - 有物体或水进入产品中。
    - 产品出现裂纹或损坏。
    - 散热风扇停止运行。
- 按照以下步骤关闭电源。
- 从交流电源插座上断开电源线插头。
- 继续照原样使用本产品可能会引起火灾、触电或产品故障。请立即请求检查或修理。

## 电源

- 切勿损坏电源线。
    - 请勿将电源线放置在加热器等热源附近。
    - 请勿强行弯曲或更改电源线。
    - 切勿损坏电源线。
    - 请勿在电源线上放置重物。
    - 切勿用钉子钉住电源线。
- 使用芯线裸露的磨损电源线可能会引起火灾、触电或产品故障。
- 遇雷击或暴风雨时，请勿触摸本产品、电源插头或电源线。
    - 否则，可能会引起电击。
  - 本产品应使用指定电压。
    - 使用错误电压可能会引起火灾、触电或产品故障。
  - 请务必使用随附的电源线。
  - 请勿将下列附带配件与其他设备一起使用。
    - 电源线
    - 否则，可能会导致火灾、烧伤或产品故障。
  - 定期检查电源线插头，擦除插头上积聚的脏物或灰尘。
    - 否则，可能会引起火灾或电击。
  - 务必将电源线插头完全插入交流电源插座。
    - 否则，可能会导致触电，或因短路引起的火灾或产品故障。
  - 将电源线插头插入可见且易于插入的交流电源插座。
  - 如果计划在很长一段时间内不使用本装置，请将电源线插头从交流电源插座上取下。
    - 否则，可能会导致火灾或产品故障。
- (仅限 SWX2322P-16MT 型号)
- 如果您计划连接符合 IEEE802.3af、IEEE802.3at 和 / 或 IEEE802.3bt 标准的供电设备，请使用支持 PoE 供电的以太网缆线。
    - 不遵守此注意事项可能会导致火灾或故障。
  - 请勿捆绑大量提供 PoE 电源的 LAN 缆线。
    - 捆绑区域温度升高可能导致火灾、故障或失灵。为防止缆线温度超过缆线额定温度，请限制捆绑缆线的数量。
    - SWX2322P-16MT 仅连接到 PoE 网络，而无需路由到外部设备。否则可能会导致故障或火灾。

## 连接

---

- 将电源线插头插入具有保护接地连接的适当交流电源插座。  
如果装置接地不正确，可能会导致触电、火灾或产品故障。

## 请勿拆卸

---

- 请勿更改或拆卸本产品。  
否则，可能会导致火灾、触电、人身伤害或产品故障。

## 防水警告

---

- 请勿在潮湿的环境中使用本产品，如浴室或多雨的户外场所。  
如果液体溢出到产品上，可能会引起火灾、触电或产品故障。
- 请勿在本产品上放置任何装有液体的容器（如花瓶或药瓶）。  
如果液体溢出到产品上，可能会引起火灾、触电或产品故障。
- 请勿用湿手将电源线插头插入交流电源插座或将其从插座上取下。请勿用湿手操作本产品。  
否则，可能会导致触电或产品故障。

## 防火警告

---

- 请勿在本产品附近处理任何明火。  
否则，可能引起火灾。

## 操作处理

---

- 切勿抛掷或用力撞击本产品。  
否则，可能会导致火灾、触电或产品故障。

## 备用电池

---

- 请勿自行更换备用电池。  
这样做可能会导致产品爆炸或出现故障。  
如果需要更换电池，请联系您的 Yamaha 经销商，要求由有资质的 Yamaha 服务人员更换电池。
- 请勿拆卸电池。如果电池内的物质沾到手上或进入眼睛，可能会导致失明或化学灼伤。
- 切勿将电池丢入火中。请勿将电池暴露在气压极低、极冷或极热（如阳光直射或火中）的环境中，或者灰尘过多或湿度过大的环境中。否则可能导致电池爆裂，引发火灾或造成伤害。

- 请勿将本产品放置在气压极低的地方。否则可能导致电池爆裂，引发火灾或造成伤害。



## 注意

这些注意事项提醒用户注意有造成人身伤害的可能性。

## 电源

---

- 如果插入交流电源插座的电源线插头摆动或松动，请勿使用该插座。  
否则，可能会引起火灾、触电或烧伤。
- 当从本产品或插座中拔出电源线插头时，请务必抓住插头而非电源线。  
否则，可能会损坏电源线，导致火灾或触电。

## 安装

---

- 请勿将本产品放置在不稳定或易受震动的位置。  
否则，本产品可能会跌落或翻倒，造成人身伤害、产品故障或损坏。
- 安装本产品时，注意不要阻挡产品散热。
  - 请勿用布或桌布覆盖本产品。
  - 请勿在地毯或毯子上安装本产品。
  - 切勿堵塞通风口（用于吸入外部空气、散热和风扇排气的孔）
  - 请勿在狭小、通风不良的地点使用本产品。  
通风不足可能导致产品内部过热，进而可能会造成火灾或产品故障。
- 按照下列说明书中的指示安装本产品。
  - 用户指南（请访问我们的网站）
- 请勿将本产品堆叠存放在其他装置的上面或下面，否则可能会导致火灾或烧伤。
- 请勿将本产品安装在可能接触含盐雾、腐蚀性气体、油烟或蒸汽的地方。  
否则，本产品可能会跌落或翻倒，造成人身伤害、产品故障或损坏。
- 移动本产品前，请务必移除所有连接缆线。  
否则，缆线可能会绊住脚或手，且本产品可能会跌落或翻倒，进而造成人身伤害、产品故障或损坏。
- 在墙壁、天花板或机架上安装本产品时，请务必请专业人员进行安装。如有必要，请咨询您购买本产品的商店或专业建筑施工公司。  
安装不当可能会造成人身伤害、产品损坏或故障。

- 确认已正确安全地完成安装，并已安装牢固。还要定期进行安全检查。否则可能造成设备掉落并导致受伤。
- 水平安装时，请务必安装橡胶支脚，否则可能会导致火灾或烧伤。  
确认安装完成后是否安全可靠。此外，还要定期进行安全检查。否则，可能会导致设备坠落并造成伤害。

## 连接

---

- 如果连接外部装置，请务必先阅读每个装置的使用说明书，并按照指示进行连接。  
如果未按照指示操作，可能会造成人身伤害或产品故障。

## 维护保养

---

- 在清洗产品之前，务必将电源线插头从交流电源插座上取下。  
否则，可能会引起电击。

## 操作处理

---

- 请勿将手或手指插入本产品的任何缝隙内。  
否则，可能导致人身伤害。
- 请勿将异物，如金属片或纸张掉入本产品的任何缝隙中。  
否则，可能会导致火灾、触电或产品故障。
- 务必将小零件放在婴儿接触不到的地方。  
否则，他们可能会将其误吞。
- 请勿对本产品过度用力，详述如下。
  - 整个人依靠在本产品上
  - 将重物放在本产品上
  - 把本产品堆叠存储
  - 对按钮或 I/O 连接器施加过大压力
  - 挂在本产品上
  - 依靠本产品否则，可能会导致人身伤害、触电、产品故障或损坏。
- 切勿拉扯连接缆线。  
否则，本产品可能会跌落或翻倒，造成人身伤害、产品故障或损坏。

# 使用注意事项

## 须知

请遵循以下注意事项，以避免故障和损坏本产品，并防止数据丢失。

### 安装

- 如果听到噪音，请改变产品的位置或方向，或周围的环境。根据您使用产品所在的环境，电话、收音机或电视可能会产生噪音。
- 请勿将本产品安装在下列地方：
  - 阳光直射
  - 极高或极低温度
  - 过量粉尘否则，可能会导致产品故障、变形或外形损坏。
- 请勿将本产品安装在因环境温度急剧变化而可能形成结露的地方。在结露的情况下使用本产品可能会导致产品故障。如果有理由认为本产品可能已经发生结露，则在不打开电源的情况下将本产品放置几个小时。请勿在结露完全干燥前使用本产品。
- 请勿将本产品安装在电磁波强的地方。否则，可能导致产品故障。
- 请勿在电源线附近安装电信缆线。否则，可能感应高电压，导致故障。
- 请勿使用随附物品以外的壁挂安装套件或机架安装套件进行安装。

### 连接

- 请勿将本产品直接连接至公共 Wi-Fi 和 / 或网络。只能将本产品连接至具有强大密码保护的路由器。有关最佳安全操作，请咨询路由器制造商。
- 请勿将任何会产生噪音的装置连接到本产品所用的同一根电源线。这样做可能会导致产品损坏或故障。
- 如果计划在 10GBASE-T/2.5GBASE-T/5GBASE-T 网络上使用本产品，请使用超 5 类 (CAT5e) 或更高等级的 LAN 缆线。如果计划在 10GBASE-T 网络上使用本产品，请使用 6 类 (CAT6) 或更高等级的缆线。但是，如果计划在 2.5GBASE-T/5GBASE-T/10GBASE-T 网络上使用本产品，由于受到相邻缆线和外部噪音的影响，实际的最大传输距离可能小于标准值。

有关详情，请参阅 Yamaha 网站上的“用户指南”。

- 使用直接连接缆线或 STP 缆线连接时，请确保装置的接地电位相同。  
(仅限 SWX2322P-16MT 型号)
- 如果提供 PoE 电源的缆线与 LAN 端口断开，请等待至少 5 秒钟再重新连接。否则可能导致故障或失灵。

### 操作处理

- 请勿将乙烯、塑料或橡胶制品放在本产品上。否则，面板可能会褪色或退化。
- 在接触本产品之前，请先消除身体或衣物上的静电。否则，静电可能会导致产品故障。
- 请勿用手指或金属物体触摸终端内侧。这样做可能导致产品故障或接触不良。
- 请务必阅读网站上关于本产品的用户指南，并且仅将指定的 SFP 模块 (1 类激光产品；另售) 或直接连接缆线 (另售) 连接到 SFP+ 插槽。如果连接了非指定的任何 SFP 模块或直接连接缆线，则无法保证工作正常。
- 请将防尘罩连接到未使用的 SFP+ 插槽。否则可能会导致异物进入，从而引起产品故障。请将防尘罩保存在安全的地方，以防丢失。
- 如果难以拉出直接连接缆线 (另售)，请参阅用户指南 (可从网站上获得) 以断开连接。强行拉出缆线可能会损坏本产品或直接连接缆线。

### 维护保养

- 用干燥柔软的布清洁本产品。请勿使用汽油、稀释剂、清洁剂或化学抹布清洁产品表面。否则，表面可能会褪色或退化。

### 处置或转让

- 在转让所有权或处置本产品之前，请将产品设置初始化为默认值。如果您转让所有权或处置本产品时未初始化设置，您的个人数据可能会被第三方窃取。



# 重要信息

## 注

本节讲述在使用过程中应遵守的注意事项，功能限制以及可能对您有帮助的补充信息。

### 产品功能

- Yamaha 公司不断改进和更新本产品中包含的软件。您可以从 Yamaha 网站下载最新的软件。
- 使用经过认证的光纤收发器 1 类激光产品。

这是 A 类产品。在居住环境中操作本产品可能会造成无线电干扰。

### 本文档内容

- 本文档中所使用的公司名和产品名都是各自公司的商标或注册商标。
- 本文档的内容为发布时最新的技术规格。可以从 Yamaha 网站下载最新版。
- 禁止未经授权复制本文档的部分或全部内容。

### 软件许可协议

产品固件版本号可以更新。更新固件版本即被视为同意 Yamaha 网络产品软件许可协议。在更新固件版本之前，请务必仔细阅读 Yamaha 网络产品软件许可协议。如果您不同意 Yamaha 网络产品软件许可协议中的条款，请勿更新固件版本。

即使在疏忽的情况下，Yamaha 也不对软件造成的任何客户损失承担任何责任，除非适用法律或法规明确禁止此类免责声明。

### Yamaha 网络产品软件许可协议

<https://www.rthro.yamaha.co.jp/RT/docs/firmware/license/LICENSE>

### 本产品使用的开源软件

访问以下网站获取相关许可协议。  
<https://www.yamahaproaudio.com/>

## 处置或转让

- 如果您计划转让本产品的所有权，请将本文档和所提供的附件连同产品一起转让。
- 按照当地主管部门的规定处理本产品及其附件。
- 按照当地主管部门的规定处理废旧电池。本产品采用锂电池为备份电池，为时钟功能供电。

为便于您理解使用说明书的内容，本公司已经依据国家的相关标准尽可能的将其中的英文表述部分翻译成中文。但是，由于专业性、通用性及特殊性，仍有部分内容仅以英文形式予以记载。

### 保护环境

如果需要废弃设备时，请与本地相关机构联系，获取正确的废弃方法。  
请勿将设备随意丢弃或作为生活垃圾处理。

### 声明

在居住环境中，运行此设备可能会造成无线电干扰。

## 本产品的铭牌

本产品的型号、序列号、电源要求等规格可能标在铭牌上或铭牌附近，铭牌位于本机顶部。请将该序列号填写到下方的横线上，并妥善保存本说明书，以便在产品被盗时作为永久购买凭证使用。

### 型号名称

### 序列号

(1003-M06 plate top zh 01)

雅马哈乐器音响（中国）投资有限公司  
上海市静安区新闻路 1818 号云和大厦 2 楼  
客户服务热线：4000517700  
公司网址：<https://www.yamaha.com.cn>

# 前言

感谢您购买本 Yamaha 产品。

- 请务必先阅读另行附带的“注意事项”。
- 为了正确和安全地使用本产品，请务必遵守本手册中的“警告”和“注意”部分。
- 请将本手册保存在安全的地方，以防丢失。

## 网站信息

可选附件、启动向导、命令参考和技术数据均可在 Yamaha 网站上获取。

<https://www.yamahaproaudio.com/>

## 随附物品

请验证是否存在以下随附物品。

- 请首先阅读（本文档）：1 件
- 电源线：1 根
- 电源线固定器（仅用于随附的专用电源线）：1 个
- 防尘罩（产品发货时预安装在 SFP+ 插槽上）：4 个
- 支脚（橡胶支脚）：4 个
- 19 英寸机架安装五金件：2 个
- 壁挂安装五金件：2 个
- 螺钉 (M3 x 8L)：8 个

## 注

螺纹直径为 3.0 毫米，螺钉头直径为 5.5 毫米，螺钉长度为 8.0 毫米。

## 单独出售的物品

详细信息见网站。

请务必先阅读其他产品的指导说明书和本产品的用户指南，然后再开始使用。

## 相关软件和文档

以下说明根据本产品的预期用途编写。

请根据您的特定用途阅读相应的说明。

- 请首先阅读（本文档）  
描述了使用本产品的注意事项。在使用前请确保已阅读。
- 用户指南（网站）  
描述了如何安装、连接和设置本产品，以及其他事项。
- 命令参考（网站）  
描述了设置本产品的命令格式和一个用例。
- 技术参考（网站）  
详细描述了本产品的功能信息。
- “Web 设置屏幕”帮助  
详细描述了对各设置项的说明。

以下软件已准备就绪。

- **Yamaha LAN 显示器**

这是一个用于监控本机信息和整个网络（包括 Dante 网络上的所有 Dante 设备）的应用程序，并提供了该应用程序的用户指南。

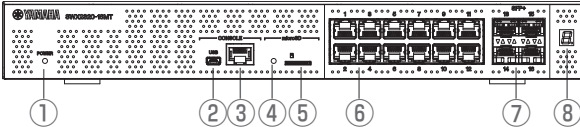
上述软件可从 Yamaha 网站下载。

<https://www.yamahaproaudio.com/>

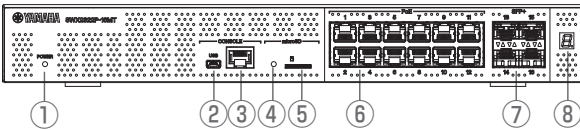
# 控件和接口

## 前面板

SWX2320-16MT



SWX2322P-16MT



### 注

正面的多个孔是用于吸入外部空气的冷却通风口。

#### ① POWER 指示灯

为装置供电时亮起。

#### ② 迷你 USB CONSOLE 端口

这是用于进行设置的迷你 USB 端口。使用 USB 线缆将其连接到计算机的 USB 端口。

#### ③ RJ-45 CONSOLE 端口

这是用于进行设置的 RJ-45 端口。使用 RJ-45/DB-9 控制台线缆将其连接到计算机的 RS-232C 接口 (COM 端口)。

#### ④ microSD 指示灯

指示 microSD 卡的连接和使用状态。

#### ⑤ microSD 插槽

可在此插槽中插入 microSD 卡。

## ⑥ LAN 端口

这些端口支持 100BASE-TX、1000BASE-T、2.5GBASE-T、5GBASE-T 和 10GBASE-T。SWX2322P-16MT 端口支持 PoE 供电。这些端口符合 IEEE 802.3bt 标准。

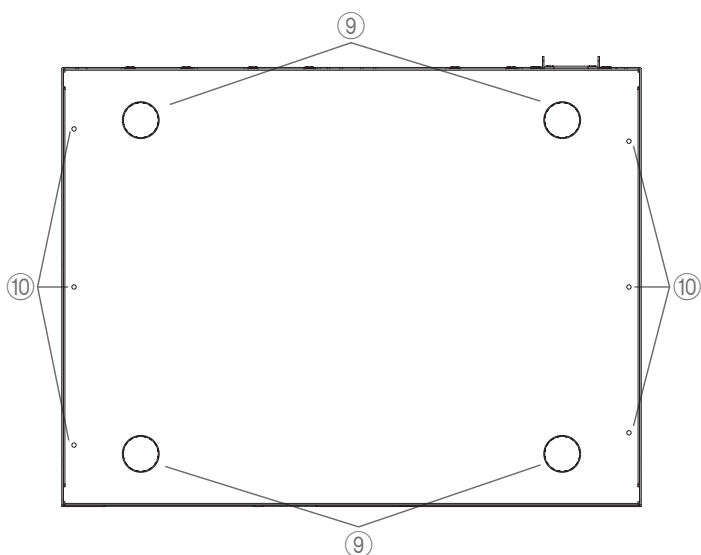
## ⑦ SFP+ 插槽

这些插槽支持 1000BASE-SX、1000BASE-LX、10GBASE-SR 和 10GBASE-LR。安装 SFP 模块（另售）和直接连接缆线（另售）。

## ⑧ 堆栈 ID 指示灯

这是一个 7 段显示屏，在使用堆栈连接时指示堆栈 ID。

## 底部面板



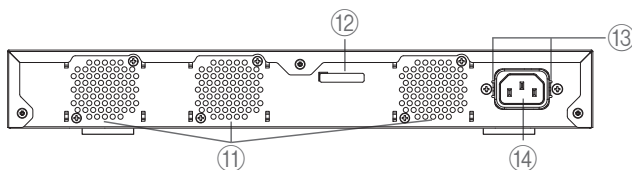
### ⑨ 橡胶支脚连接向导

如果需要将装置放置在水平面上，请在所示位置安装橡胶支脚。

### ⑩ 壁挂安装附件连接孔

在墙壁或天花板上安装时，这些螺钉孔用于连接随附的壁挂安装附件。

## 后面板



### ⑪ 通风口

借助风扇，这些孔可以强行排出产品内部产生的热量。

### ⑫ 序列号

产品标签上有相同的标记。

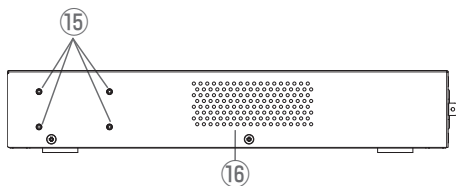
### ⑬ 电源线固定器连接孔

随附的电源线固定器（C型）可在此处连接。

### ⑭ 供电接口（三针接口，C14型）

在此处插入随附的电源线。

## 侧面板



### ⑮ 机架安装附件连接孔

在 19 英寸机架 (1U) 中安装本产品时，这些螺钉孔用于连接随附的机架安装附件。

### ⑯ 冷却通风口

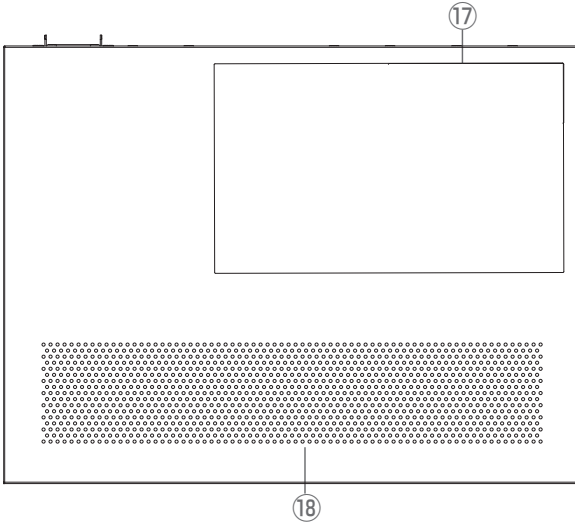
本产品中的孔是风扇的冷却通风口，用于吸入外部空气。



### 警告

请勿堵塞冷却通风口或在其附近放置物体。  
这样做可能会导致火灾或产品故障。

## 上方面板



### ⑰ 产品标签

此标签列出本装置的型号名称、序列号和 MAC 地址等。

### ⑱ 冷却通风口

本产品中的孔是用于吸入外部空气的冷却通风口。



# 附录

## 硬件规格

项目		SWX2320-16MT	SWX2322P-16MT
LAN 端口	标准	IEEE802.3 (100BASE-TX/ 1000BASE-T/ 2.5GBASE-T/ 5GBASE-T/ 10GBASE-T)	
	端口数	12	
	通信模式	自动协商	
	接口	RJ-45	
	极性	直线/ 交叉自动检测, 或直线固定	
PoE	端口数	—	12
	标准	—	IEEE 802.3bt type 4 (class 0 - 8)
	供电系统	—	Alternative A / Alternative B
	最大供电功率	—	90 W/端口, 250 W/整个 设备
	兼容的 PoE 供电设备	—	符合以下标准的 PoE 供电设备: IEEE 802.3af IEEE 802.3at IEEE 802.3bt
SFP+ 插槽	标准	IEEE802.3z (1000BASE-SX/ 1000BASE-LX) IEEE802.3ae (10GBASE-SR/ 10GBASE-LR)	
	插槽数	4	
尺寸 不包括突起和支脚		330 毫米 (宽) × 44 毫米 (高) × 250 毫米 (深)	
重量 (不含随附物品)		2.7 千克	2.9 千克
供电电压和频率		AC100 - 240 V, 50/60 Hz	
最大功耗		84 W	385 W

附录

项目		SWX2320-16MT	SWX2322P-16MT
CONSOLE 端口	标准	RS-232C, USB 2.0	
	接口	RJ-45, USB 迷你 B (5 针)	
	数据传输速度	9600 (默认值) / 19200/ 38400/ 57600/ 115200 bit/s	
microSD 插槽	标准	microSD/ microSDHC	
	文件系统	FAT16/ FAT32	
指示灯		POWER、microSD、堆栈 ID、LAN 端口 (LINK/ ACT、SPEED)、SFP+ 端口 (LINK/ ACT、SPEED)	
风扇数量		3	
MAC 地址		在装置上方面板的产品标签中指示	
操作环境条件	环境温度	0 °C - 50 °C	
	环境湿度	15 % - 80% (非冷凝)	
存放环境条件	环境温度	- 20 °C - 60 °C	
	环境湿度	10 % - 90% (非冷凝)	

# 注意事項

在進行之前，請仔細閱讀這些注意事項。

## 務必遵循指示

請仔細閱讀並遵守以下注意事項，以避免對您造成傷害或損害您的財產。

仔細閱讀本文件後，請將其保存在任何使用本產品的人都可以隨時存取的位置。

- 請與以下客戶中心聯繫，進行相關的檢查或維修。
  - 您購買本產品的店家
  - Yamaha 經銷商
- 本產品旨在用作一般辦公設備。請勿在對人類生命需要高度可靠性的任何領域中使用。
- 請注意，對於因使用不當或未經授權擅自改造本產品而造成的任何損失，Yamaha 恕不承擔任何責任。



### 警告

這些注意事項主要係提醒您，可能導致自身 / 他人死亡或嚴重受傷。

## 若您注意到任何異常現象

- 如果發生以下任何異常現象，請立即關閉電源。
    - 電源線或插頭變得損壞。
    - 本產品散發出臭味、雜音或煙霧。
    - 物品或一些水已掉入本產品中。
    - 本產品上出現裂痕或其他損壞。
    - 冷卻風扇已停止。
- 請按照以下步驟關閉電源。
- 從 AC 插座拔下電源線插頭
- 在此情況下繼續使用本產品可能會導致火災、觸電或故障。請立即要求檢查或維修。

## 電源

- 請勿損壞電源線。
    - 請勿將電源線放置在加熱器等熱源附近。
    - 請勿用力彎曲或改造電源線。
    - 請勿損壞電源線。
    - 請勿在電源線上放置重物。
    - 請勿裝訂電源線。
- 在芯線露出的狀態下使用磨損的電源線，可能會導致火災、觸電或故障。
- 發生閃電或雷暴的期間，請勿觸摸本產品、電源插頭或電源線。
    - 否則可能會導致觸電。
  - 使用為本產品指定的電壓。
    - 使用不正確的電壓可能會導致火災、觸電或故障。
  - 務必使用隨附的電源線。
  - 請勿將以下的隨附配件與其他裝置一起使用。
    - 電源線
    - 否則，可能會導致火災、燒燙傷或故障。
  - 定期檢查電源線插頭，清除任何累積的髒污或灰塵。
    - 否則，可能會導致火災或觸電。
  - 務必將電源線插頭完全插入 AC 插座。
    - 否則，可能會因短路而導致觸電、火災或故障。
  - 將電源線插頭插入清楚可見且方便使用的 AC 插座。
  - 如果您打算長時間不使用本裝置，請從 AC 插座拔下電源線插頭。
    - 否則，可能會導致火災或故障。
- (僅限 SWX2322P-16MT 機型)
- 如果您要連接符合 IEEE802.3af、IEEE802.3at 及 / 或 IEEE802.3bt 標準的供電裝置，請使用支援 PoE 電源功能的乙太網路線。
    - 未遵守本注意事項可能會引發火災或故障。
  - 請勿將供應 PoE 電源的大量 LAN 纜線捆綁在一起。
    - 捆綁部位溫度升高可能導致起火、失效或故障。為避免纜線溫度超過纜線溫度額定值，請限制捆綁纜線的數量。
    - SWX2322P-16MT 只能連接至 PoE 網路，不能路由至外部設備。否則可能導致故障或火災。

## 連接

- 將電源線插頭插入具有保護接地連接的適當 AC 插座。
  - 如果裝置未正確接地，可能會導致觸電、火災或故障。

## 切勿拆解

- 請勿改造或拆卸本產品。
  - 否則，可能會導致火災、觸電、受傷或故障。

## 液體警告

- 請勿在有溼氣或潮溼的環境中使用本產品，例如浴室或下雨的室外。  
如果液體濺入本產品中，可能會導致火災、觸電或故障。
- 請勿在本產品上放置裝有液體的任何容器（例如花瓶或藥瓶）。  
如果液體濺入本產品中，可能會導致火災、觸電或故障。
- 請勿用溼手將電源線插頭插入 AC 插座或從 AC 插座中拔出。請勿用溼手觸碰本產品。  
否則，可能會導致觸電或故障。

## 火災警告

- 請勿在本產品附近使用明火。  
否則，可能會導致火災。

## 處理

- 請勿摔落本產品或對本產品施加任何強烈撞擊。  
否則，可能會導致火災、觸電或故障。

## 備用電池

- 請勿自行更換備用電池。  
這麼做可能會導致產品爆炸或故障。如果需要更換電池，請聯繫您的 Yamaha 經銷商，並要求合格的 Yamaha 維修人員更換電池。
- 請勿拆解電池。如果電池內容物沾到您的手或眼睛，可能會造成失明或化學燒傷。
- 請勿將電池丟入火中棄置。請勿讓電池承受極低氣壓、高低溫（例如，陽光直射或火源），或是過多的灰塵或濕氣，否則可能造成電池爆炸，進而引發火災或使人受傷。
- 請勿將本產品置於氣壓極低的場所。否則可能造成電池爆炸，進而引發火災或使人受傷。



## 注意

這些注意事項係提醒使用者，可能會造成受傷。

## 電源

- 如果插入 AC 插座的電源線插頭晃動或鬆動，請勿使用該插座。  
否則，可能會導致火災、觸電或燙傷。
- 從本產品或插座拔掉電源線插頭時，請總是握住插頭本身，而非電源線。  
否則，電源線可能會損壞，從而導致火災或觸電。

## 安裝

- 請勿將本產品放置在不穩定的位置或容易受到振動的位置。  
否則，本產品可能會掉落或倒下，從而導致受傷、故障或損壞。
- 安裝時請勿堵住本產品的散熱。
  - 請勿用布或桌布覆蓋本產品。
  - 請勿將本產品安裝在地毯或毛毯上。
  - 請勿堵住通風口（用於吸入外部空氣、散熱及讓風扇排氣的孔）。
  - 請勿在狹窄、通風不良的地方使用本產品。  
通風不良可能會導致本產品內部過熱，從而造成火災或故障。
- 按照以下手冊中記載的說明安裝本產品。
  - 使用指南（於本公司網站上提供）
- 請勿將本產品堆疊在其他裝置上或下方，因為這麼做可能導致火災或燒燙傷。
- 請勿將本產品安裝在可能接觸到鹽分空氣、腐蝕氣體、油煙或蒸氣之處。  
否則，本產品可能會掉落或倒下，從而導致受傷、故障或損壞。
- 移動本產品之前，務必移除所有連接的纜線。  
否則，纜線可能會被腳或手絆住，且產品可能會掉落或倒下，導致受傷、故障或損壞。
- 裝設在牆壁、天花板或機架上時，務必由具備專業知識的人員安裝本產品。如有必要，請洽詢您購買本產品的店家或專門的架設公司。  
安裝不當可能會導致受傷、本產品損壞或故障。
- 請確認完成的安裝安全。同時，定期進行安全檢查。  
否則可能造成裝置墜落和人員受傷。
- 水平安裝時，務必裝上橡膠撐腳。否則可能導致火災或燒燙傷。  
確認完成的安裝安全且穩固。此外，請定期執行安全檢查。未遵守本注意事項可能會導致裝置掉落及造成受傷。

## 連接

- 如果您打算連接外部裝置，請先閱讀每台裝置的使用說明書，然後按照說明進行連接。  
如果未正確遵循說明，可能會導致受傷或故障。

## 保養

---

- 清潔產品之前，務必從 AC 插座拔下電源線插頭。  
否則可能會導致觸電。

## 處理

---

- 請勿將手或手指插入本產品的任何間隙中。  
否則，可能會導致受傷。
- 請勿將異物（例如金屬片或紙）掉入本產品的任何間隙中。  
否則，可能會導致火災、觸電或故障。
- 使小零件遠離嬰幼兒。  
否則，嬰幼兒可能會誤吞。
- 請勿對本產品如下過度施力。
  - 將您的體重壓在本產品上
  - 在本產品上放置重物
  - 堆疊本產品
  - 對按鈕或 I/O 連接器過度施力。
  - 懸掛在本產品上
  - 倚靠在本產品上否則，可能會導致受傷、觸電、故障或損壞。
- 請勿拉扯連接的纜線。  
否則，本產品可能會掉落或倒下，從而導致受傷、故障或損壞。

# 使用時的注意事項

## 須知

請遵循以下注意事項，以避免故障和損壞本產品，並防止數據遺失。

### 安裝

- 若聽到雜音，請變更本產品的位置或方向，或是變更周圍的環境。根據使用本產品的環境，手機、收音機或電視可能會產生雜音。
- 請勿將本產品安裝在有以下情況的地方：
  - 陽光直射
  - 極高或極低的溫度
  - 灰塵過多否則，可能會導致故障、變形或外形損傷。
- 請勿將本產品安裝在因環境溫度迅速急劇變化而形成冷凝的地方。在發生冷凝的狀態下使用本產品，可能會導致故障。若合理認為本產品上或內部可能發生冷凝，請在不開啟電源的情況下，讓本產品靜置數小時。冷凝完全乾燥後，即可開始使用本產品。
- 請勿將本產品安裝在受到強力電磁波的地方。否則，可能會導致故障。
- 請勿在電源線附近安裝電信纜線。否則，可能會感應到高電壓而導致故障。
- 請勿使用非隨附的壁掛式安裝套件或機架式安裝套件進行安裝。

### 連接

- 請勿將本產品直接連接到公用 Wi-Fi 和 / 或互聯網。僅透過具有強大密碼保護功能的路由器將本產品連接到互聯網。有關安全性最佳實務的資訊，請諮詢您的路由器製造商。
  - 請勿將任何會產生雜音的裝置連接至與本產品相同的電源線路，這麼做可能會導致損壞或故障。
  - 如果您打算在 1000BASE-T/2.5GBASE-T/5GBASE-T 網路上使用本產品，請使用增強型 5 類 (CAT5e) 以上的 LAN 纜線。如果您打算在 10GBASE-T 網絡上使用本產品，請使用 6 類 (CAT6) 以上的纜線。然而，如果您打算在 2.5GBASE-T/5GBASE-T/10GBASE-T 網絡上使用本產品，最終的最大傳輸距離可能受鄰近纜線及外部雜音影響，因此較標準值短。有關詳情，請參閱 Yamaha 網站上的「使用指南」。
  - 使用直接連接電纜或 STP 電纜連接時，請確保裝置的接地電位相同。
- (僅限 SWX2322P-16MT 機型)
- 如果從 LAN 連接埠拔出 PoE 電源供應纜線，請等待至少 5 秒再重新連接。否則可能會引起失效或故障。

## 處理

- 請勿在本產品上放置任何乙烯、塑料或橡膠製品。否則，面板可能會變色或變質。
- 觸摸本產品之前，請去除身體或衣服上的靜電。否則，靜電可能會導致本產品故障。
- 請勿用手指或金屬物品接觸端子內部。這麼做可能會導致故障或接觸不良。
- 務必在網站上事先詳讀本產品的使用指南，並確保僅將規定的 SFP 模組 (第 1 級雷射，另售) 或直接連接電纜 (另售) 連接至 SFP+ 插槽。如果連接任何非規定的 SFP 模組或直接連接電纜，則無法保證運作正常。
- 請將未使用的 SFP+ 插槽蓋上防塵蓋。否則可能會導致異物進入，從而引起故障。請將防塵蓋放在安全地點，以免遺失。
- 如果很難拉出直接連接電纜 (另售)，請參閱《使用指南》(可從網站上獲得) 以斷開連接。強行拉出電纜可能會損壞本產品或直接連接電纜。

## 保養

- 請使用乾燥的軟布清潔本產品。請勿使用揮發油、稀釋劑、清潔劑或化學抹布清潔本產品的表面。否則，表面可能會變色或變質。

## 處置或轉讓

- 在轉讓所有權或處置本產品之前，請將本產品設定初始化至默認值。如果您在未初始化設定的情況下轉讓所有權或處置本產品，則您的個人數據可能會被第三方竊取。

# 重要資訊

## 註

本節記載在使用期間應遵守的注意事項、功能限制以及可能對您有幫助的補充資訊。

### 產品特點

- Yamaha 持續對本產品中含有的軟體進行改善和更新。您可以從 Yamaha 網站下載最新軟體。
- 使用認證的光纖收發器第 1 級雷射產品。

本產品為 A 類產品。在居住環境中操作本產品可能造成無電線干擾。

**警告：**為避免電磁干擾，本產品不應安裝或使用於住宅環境。

### 本文件的內容

- 本文件中的公司名稱及產品名稱是其各自公司的商標和註冊商標。
- 本文件的內容為截至印製日期的最新規格。您可以從 Yamaha 網站下載最新版本。
- 禁止未經授權而部分或全部複製本文件。

### 軟體授權協議

您可以更新產品韌體版本編號。更新韌體版本代表您同意 Yamaha 網路產品軟體授權協議。更新韌體版本前，務必仔細閱讀 Yamaha 網路產品軟體授權協議。

如果您不同意 Yamaha 網路產品軟體授權協議的條款，請勿更新韌體版本。

除非適用法律或法規明確禁止此等免責聲明，否則即使是疏忽的情況，Yamaha 不負責因軟體而造成的任何客戶損失。

#### Yamaha 網路產品軟體授權協議

<https://www.rtpro.yamaha.co.jp/RT/docs/firmware/license/LICENSE>

### 本產品使用的開放原始碼軟體

有關相關的授權協議，請造訪以下網站。

<https://www.yamahaproaudio.com/>

### 處置或轉讓

- 如果您打算轉讓本產品的所有權，請與裝置一起附上本文件和隨附的配件。
- 請遵循當地政府的規定來處置本產品及其配件。
- 請遵循當地政府的規定來處置使用過的電池。本產品使用鋰電池來備份時鐘功能所需的電源。

(台灣 RoHS)/ 限用物質含有情況標示資訊請參考下列網址  
<https://tw.yamaha.com/zh/support/compliance/>  
操作說明：選擇語言 - (中文) / 輸入 [ 產品型號 ] 或 [ 關鍵字 ] / 按 [ 搜尋 ]

台灣山葉音樂股份有限公司  
YAMAHA MUSIC & ELECTRONICS TAIWAN CO., LTD.  
<https://tw.yamaha.com/>  
總公司：(02) 7741-8888 新北市板橋區遠東路 1 號 2 樓  
客服專線：0809-091388

### 本產品的銘牌

型號、序號及電力需求等資訊列於本裝置頂部的銘牌上或附近。建議您將序號記錄在下方空白處，並保留本說明書做為永久購買記錄，以便在本裝置遭竊時當做識別資訊使用。

型號

序號

(1003-M06 plate top tw 01)

# 簡介

感謝您購買本 Yamaha 產品。

- 務必先閱讀另附的「注意事項」。
- 為正確且安全使用本產品，務必遵守本手冊中所述之警告與注意內容。
- 請將本手冊保存在安全地點，以免遺失。

## 網站資訊

選用配件、《使用指南》、《指令參考》與技術資料皆可在 Yamaha 網站上取得。

<https://www.yamahaproaudio.com/>

## 隨附物品

請確認下列隨附物品齊全。

- 使用須知（本文件）：1 冊
- 電源線：1 條
- 電源線夾（僅適用於隨附的專用電源線）：1 條
- 防塵蓋（本產品出廠時已預先安裝於 SFP+ 插槽上）：4 個
- 支腳（橡膠撐腳）：4 個
- 19 吋機架式安裝硬體：2 支
- 壁掛式安裝硬體：2 支
- 螺絲 (M3 x 8L)：8 支

註

螺絲螺紋直徑 3.0 mm，螺絲頭直徑 5.5 mm，螺絲長度 8.0 mm。

## 另售物品

詳細資料可於網站上取得。

使用前，務必閱讀其他產品的說明手冊與本產品的《使用指南》。



## 相關軟體與文件

依據本產品的預定用途，共提供下列手冊。

請根據特定應用閱讀適當手冊。

- 使用須知（本文件）  
說明使用本產品時的注意事項。使用前務必閱讀。
- 使用指南（網站）  
說明如何安裝、連接與設定本產品及其他選項。
- 指令參考（網站）  
說明設定此產品的指令格式與使用範例。
- 技術參考（網站）  
說明本產品功能的相關詳細資訊。
- 「網頁設定畫面」說明  
提供各設定項目的詳細說明。

已提供下列軟體。

- **Yamaha LAN Monitor**

此應用程式可用來監控本裝置的資訊，以及包括 Dante 網路中所有 Dante 裝置在內的整個網路。另有提供此應用程式的使用指南。

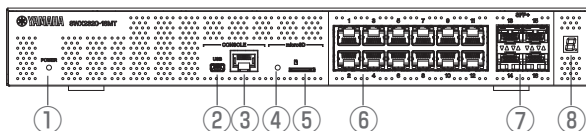
可從 Yamaha 網站下載上述軟體。

<https://www.yamahaproaudio.com/>

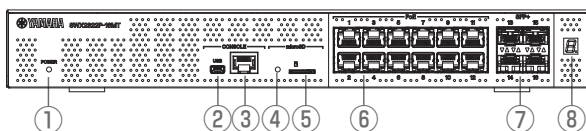
# 控制項與接頭

## 前面板

SWX2320-16MT



SWX2322P-16MT



### 註

正面有多個孔洞，為用於吸入外部空氣的散熱風口。

- ① **POWER 指示燈**  
於本裝置通電時亮起。
- ② **mini-USB CONSOLE 連接埠**  
此為可進行設定的 mini-USB 連接埠。使用 USB 纜線可將其連接至電腦的 USB 連接埠。
- ③ **RJ-45 CONSOLE 連接埠**  
此為可進行設定的 RJ-45 連接埠。使用 RJ-45/DB-9 連接線可將其連接至電腦的 RS-232C 接頭（COM 連接埠）。
- ④ **microSD 指示燈**  
表示 microSD 卡的連接與使用狀態。
- ⑤ **microSD 插槽**  
可將 microSD 卡插入此插槽。

### ⑥ LAN 連接埠

這些連接埠支援 100BASE-TX、1000BASE-T、2.5GBASE-T、5GBASE-T 及 10GBASE-T。支援 PoE 供電的 SWX2322P-16MT 連接埠。這些連接埠符合 IEEE 802.3bt。

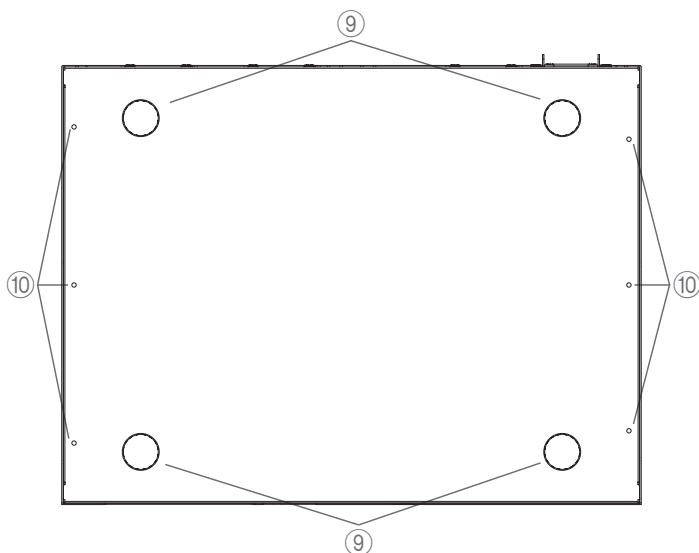
### ⑦ SFP+ 插槽

這些插槽支援 1000BASE-SX、1000BASE-LX、10GBASE-SR 及 10GBASE-LR。安裝 SFP 模組（另售）及直接連接電纜（另售）。

### ⑧ 堆疊 ID 指示燈

使用堆疊連接時，此為表示堆疊 ID 的 7 段式顯示器。

## 底部面板



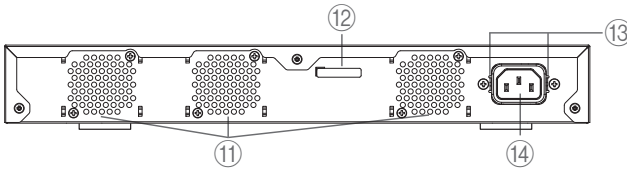
### ⑨ 橡膠撐腳安裝導孔

將本裝置置於平坦表面時，這些是用於安裝橡膠撐腳的位置。

### ⑩ 壁掛式安裝配件安裝孔

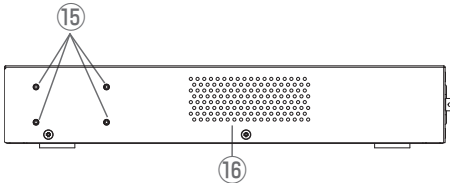
安裝於牆壁或天花板時，可使用這些螺絲孔裝上隨附的壁掛式安裝配件。

## 後面板



- ① 通風口  
這些孔洞利用風扇強制排出內部產生的熱氣。
- ② 序號  
產品標籤也標有相同標示。
- ③ 電源線夾安裝孔  
可將隨附電源線夾 (C 形) 安裝於此處。
- ④ 電源插座 (三腳接頭, C14 型)  
請將隨附的電源線插入此處。

## 側面板



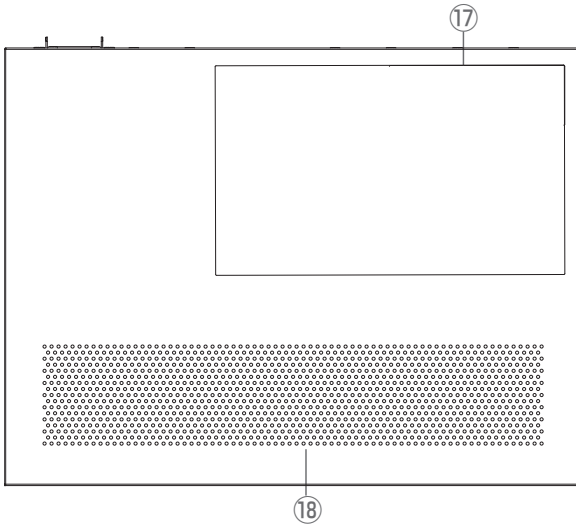
- ⑤ 機架式安裝配件安裝孔  
將本產品安裝在 19 吋機架 (1U) 內時，可使用這些螺絲孔裝上隨附的機架式安裝配件。
- ⑥ 散熱風口  
本產品中的孔洞為散熱風口，利用風扇吸入外部空氣。



### 警告

請勿阻塞散熱風口或在附近放置物品，  
這麼做可能會引起火災或造成故障。

## 頂部面板



### ⑰ 產品標籤

此標籤會列出本裝置的機型名稱、序號及 MAC 位址。

### ⑱ 散熱風口

本產品中的孔洞為吸入外部空氣的散熱風口。

# 附錄

## 硬體規格

項目		SWX2320-16MT	SWX2322P-16MT
LAN 連接埠	標準	IEEE802.3 (100BASE-TX/ 1000BASE-T/ 2.5GBASE-T/ 5GBASE-T/ 10GBASE-T)	
	連接埠數	12	
	通訊模式	自動交涉	
	接頭	RJ-45	
	極性	自動偵測直通 / 交叉 · 或固定直通	
PoE	連接埠數	—	12
	標準	—	IEEE 802.3bt Type 4 (Class 0 - 8)
	電源系統	—	Alternative A / Alternative B
	最大供電	—	90 W/ 連接埠 · 250 W/ 全裝置
	相容 PoE 供電裝置	—	符合以下標準的 PoE 供電裝置： IEEE 802.3af IEEE 802.3at IEEE 802.3bt
SFP+ 插槽	標準	IEEE802.3z (1000BASE-SX/ 1000BASE-LX) IEEE802.3ae (10GBASE-SR/ 10GBASE-LR)	
	插槽數量	4	
尺寸 不含突出部位與撐腳		330 mm (寬) × 44 mm (高) × 250 mm (深)	
重量 (不含隨附物品)		2.7 kg	2.9 kg
電源電壓與頻率		AC100 – 240 V · 50/60 Hz	
最大功耗		84 W	385 W
CONSOLE 連接埠	標準	RS-232C、USB 2.0	
	接頭	RJ-45、USB mini-B (5 針)	
	資料傳輸速度	9600 (預設值) / 19200/ 38400/ 57600/ 115200 bit/s	

附錄

項目		SWX2320-16MT	SWX2322P-16MT
microSD 插槽	標準	microSD/ microSDHC	
	檔案系統	FAT16/ FAT32	
指示燈		POWER、microSD、STACK ID、LAN 連接埠 (LINK/ ACT、SPEED)、SFP+ 連接埠 (LINK/ ACT、SPEED)	
風扇數		3	
MAC 位址		標示於裝置頂部面板的產品標籤上	
操作環境條件	環境溫度	0 – 50 °C	
	環境溼度	15 – 80% (非凝結)	
存放環境條件	環境溫度	–20 – 60 °C	
	環境溼度	10 – 90% (非凝結)	



# 안전 주의사항

계속 진행하기 전에 아래의 주의 사항을 읽고 숙지하십시오 .

## 지침을 반드시 따라야 합니다

아래의 안전 주의사항을 읽고 숙지하고 준수하여 부상 또는 자산 피해가 발생하지 않도록 하십시오 .

본 문서를 모두 읽은 후 제품을 사용하는 사람이 문서를 언제든지 찾을 수 있는 곳에 보관하십시오 .

- 점검 또는 수리가 필요하면 다음 고객 센터에 문의하십시오 .
  - 제품을 구매한 매장
  - Yamaha 대리점
- 본 제품은 일반 사무용 기기로 사용할 수 있습니다 . 인명을 보호하기 위해 높은 신뢰도가 요구되는 현장에서 본 제품을 사용하지 마십시오 .
- Yamaha 는 제품의 잘못된 사용이나 무단 개조로 인해 발생하는 손실에 대해 어떤 책임도 인정하지 않습니다 .



## 경고

이 안전 주의사항은 자신이나 타인이 사망하거나 심하게 다칠 수 있는 가능성에 대해 경고합니다 .

### 이상 징후 발견 시

- 다음과 같은 이상 징후가 발생하면 즉시 전원을 차단하십시오 .
  - 전원 코드 또는 플러그가 손상됨
  - 제품에서 이상한 냄새, 소음 또는 연기가 남
  - 물체나 약간의 물이 제품 안으로 떨어짐
  - 제품에 균열이나 다른 손상이 나타남
  - 냉각 팬이 멈춤
- 전원을 차단하려면 아래 절차를 따르십시오 .
  - 전원 코드 플러그를 AC 콘센트에서 분리합니다 .
- 제품을 이상이 있는 상태로 계속 사용하면 화재, 감전 또는 오작동이 발생할 수 있습니다 . 즉시 점검 또는 수리를 요청하십시오 .

## 전원

- 전원 코드를 손상시키지 마십시오 .
  - 전원 코드를 난방기 같은 열원에 가까이 놓지 마십시오 .
  - 전원 코드를 강제로 구부리거나 개조하지 마십시오 .
  - 전원 코드를 손상시키지 마십시오 .
  - 전원 코드 위에 무거운 물체를 올려놓지 마십시오 .
  - 전원 코드를 스테이플러로 고정하지 마십시오 .
- 심선이 노출된 낡은 전원 코드를 사용하면 화재, 감전 또는 오작동이 발생할 수 있습니다 .
- 번개가 치거나 심한 뇌우 도중에는 제품이나 전원 플러그 또는 전원 코드를 만지지 마십시오 . 감전의 원인이 될 수 있습니다 .
- 제품 규격에 맞는 전압을 사용하십시오 . 잘못된 전압을 사용하면 화재, 감전 또는 오작동이 발생할 수 있습니다 .
- 반드시 제공된 전원 코드를 사용하십시오 .
  - 동봉된 다음과 같은 부속품을 다른 기기와 함께 사용하지 마십시오 .
  - 전원 코드
- 그러지 않으면 화재, 화상 또는 오작동의 원인이 될 수 있습니다 .
- 전원 코드 플러그를 주기적으로 점검하고 플러그에 묻어 있을 수 있는 먼지나 이물질들을 제거하십시오 . 그러지 않으면 화재 또는 감전의 원인이 될 수 있습니다 .
- 전원 코드 플러그를 AC 콘센트에 끝까지 삽입해야 합니다 . 그러지 않으면 단락으로 인해 감전, 화재 또는 오작동이 발생할 수 있습니다 .
- 전원 코드 플러그를 잘 보이고 쉽게 접근할 수 있는 AC 콘센트에 삽입하십시오 .
- 장치를 오랜 기간 동안 사용하지 않을 계획이면 전원 코드 플러그를 AC 콘센트에서 분리하십시오 . 그러지 않으면 화재 또는 오작동의 원인이 될 수 있습니다 . (SWX2322P-16MT 모델에만 해당 )
- IEEE802.3af, IEEE802.3at 및 / 또는 IEEE802.3bt 표준을 준수하는 전원 장치를 연결하려는 경우에는 PoE 전원을 지원하는 이더넷 케이블을 사용하십시오 . 이 안전 주의사항을 지키지 않으면 화재나 오작동이 발생할 수 있습니다 .
- PoE 전원을 공급하는 LAN 케이블 다수를 묶지 마십시오 . 묶은 부분의 온도가 올라가면 화재, 고장 또는 오작동을 유발할 수 있습니다 . 케이블 온도가 케이블 온도 등급을 초과하지 않도록 묶는 케이블 수를 제한하십시오 . SWX2322P-16MT 는 외부 플랜트로 라우팅하지 않고 PoE 네트워크에만 연결해야 합니다 . 그러지 않으면 오작동 또는 화재의 원인이 될 수 있습니다 .

## 연결

- 전원 코드 플러그를 보호 접지 연결이 있는 적절한 AC 콘센트에 삽입하십시오 . 기기를 올바르게 접지하지 않으면 감전, 화재 또는 오작동의 원인이 될 수 있습니다 .

## 분해 금지

- 본 제품을 개조하거나 분해하지 마십시오 . 그러지 않으면 화재, 감전, 부상 또는 오작동의 원인이 될 수 있습니다 .

## 침수 경고

- 본 제품을 욕실이나 비가 오는 야외 장소처럼 물이나 습기가 많은 환경에서 사용하지 마십시오.  
액체를 제품에 엷지르면 화재, 감전 또는 오작동의 원인이 될 수 있습니다.
- 제품 위에 (화분이나 약병처럼) 액체가 들어있는 용기를 올려놓지 마십시오.  
액체를 제품에 엷지르면 화재, 감전 또는 오작동의 원인이 될 수 있습니다.
- 젖은 손으로 전원 코드 플러그를 AC 콘센트에 삽입하거나 콘센트에서 분리하지 마십시오. 제품을 젖은 손으로 다루지 마십시오.  
그렇지 않으면 감전 또는 오작동의 원인이 될 수 있습니다.

## 화재 경고

- 제품 가까이에서 불꽃을 다루지 마십시오.  
화재의 원인이 될 수 있습니다.

## 취급

- 제품을 떨어트리거나 제품에 강한 충격을 가하지 마십시오.  
그렇지 않으면 화재, 감전 또는 오작동의 원인이 될 수 있습니다.

## 예비 배터리

- 예비 배터리를 직접 교체하지 마십시오.  
그럴 경우 폭발 또는 제품 오작동의 원인이 될 수 있습니다.  
배터리를 교체해야 하는 경우 Yamaha 대리점에 연락하여 자격을 갖춘 Yamaha 서비스 직원에게 배터리 교체를 요청하십시오.
- 배터리를 분해하지 마십시오. 배터리 내용물이 손이나 눈에 접촉하면 실명이나 화학적 화상을 입을 수 있습니다.
- 배터리를 불 속에 폐기하지 마십시오. 극도로 낮은 기압, 추위나 열기 (직사광선이나 불 등) 또는 과도한 먼지나 습기에 배터리를 노출시키지 마십시오. 그럴 경우 배터리가 파열되어 화재가 발생하거나 부상을 입을 수 있습니다.
- 공기압이 극도로 낮은 곳에 본 제품을 두지 마십시오. 그럴 경우 배터리가 파열되어 화재가 발생하거나 부상을 입을 수 있습니다.



## 주의

**이 안전 주의사항은 사용자에게 신체 상해를 입을 수 있는 가능성에 대해 경고합니다.**

## 전원

- AC 콘센트에 삽입한 전원 코드 플러그가 흔들거리거나 느슨하면 해당 콘센트를 사용하지 마십시오.  
화재, 감전 또는 화상의 원인이 될 수 있습니다.
- 제품 또는 콘센트에서 전원 코드 플러그를 뽑을 때는 항상 코드가 아닌 플러그 자체를 잡으십시오.  
그렇지 않으면 전원 코드가 손상되어 화재가 발생하거나 감전될 수 있습니다.

## 설치

- 본 제품을 불안정한 자세로 놓거나 진동이 발생할 수 있는 위치에 놓지 마십시오.  
그렇지 않으면 제품이 떨어지거나 쓰러져서 부상, 오작동 또는 손상을 입을 수 있습니다.
- 제품을 설치할 때 옆 배출구를 막지 마십시오.  
- 제품을 천이나 테이블 보로 덮지 마십시오.  
- 제품을 카페트나 양탄자 위에 설치하지 마십시오.  
- 통풍구 (외부 공기 유입, 열 방출, 팬 배출용 구멍) 를 막지 마십시오.  
- 비좁고 환기가 잘 되지 않는 곳에서 제품을 사용하지 마십시오.  
충분한 환기가 이루어지지 않으면 제품 내부가 과열되어 화재 또는 고장의 원인이 될 수 있습니다.
- 본 제품을 아래의 설명서에 서술된 지침에 따라 설치하십시오.  
- 사용자 가이드 (당사 웹 사이트)
- 화재가 발생하거나 화상을 입을 수 있으므로 본 제품을 다른 장치 위나 아래에 쌓지 마십시오.
- 제품을 열기, 부식성 기체, 기름이 함유된 연기 또는 증기가 닿을 수 있는 곳에 설치하지 마십시오.  
그렇지 않으면 제품이 떨어지거나 쓰러져서 부상, 오작동 또는 손상을 입을 수 있습니다.
- 본 제품을 옮기기 전에 연결된 케이블을 모두 분리하십시오.  
그렇지 않으면 케이블이 발이나 손에 걸리고 제품이 떨어지거나 쓰러져서 부상, 오작동 또는 손상이 발생할 수 있습니다.
- 벽, 천장 또는 랙에 장착할 때는 전문 지식이 있는 사람이 제품을 설치하도록 하십시오. 필요한 경우 제품을 구입한 매장이나 전문 건설사에 문의하십시오.  
잘못 설치하면 부상, 제품의 손상 또는 오작동의 원인이 될 수 있습니다.
- 설치 완료된 기기가 안전하고 안정감 있는지 확인하십시오.  
또한 안전 점검을 정기적으로 실시하십시오. 이를 준수하지 않을 경우 기기가 떨어져 부상을 입을 수 있습니다.
- 수평으로 설치할 때는 반드시 고무 피트를 부착하십시오.  
그렇지 않으면 화재 또는 화상의 원인이 될 수 있습니다.  
설치가 안전하고 단단하게 완료되었는지 확인하십시오.  
또한, 주기적으로 안전 검사를 실시해 주십시오. 이를 준수하지 않으면 장치가 떨어져서 부상을 입을 수 있습니다.

## 연결

---

- 외부 기기를 연결할 계획이면 각 기기의 사용 설명서를 먼저 읽고 기기를 지침에 따라 연결하십시오.  
지침을 올바르게 따르지 않으면 부상 또는 오작동의 원인이 될 수 있습니다.

## 유지보수

---

- 제품을 청소하기 전에 전원 코드 플러그를 AC 콘센트에서 분리해야 합니다.  
감전의 원인이 될 수 있습니다.

## 취급

---

- 본 제품의 틈새에 손이나 손가락을 넣지 마십시오.  
다칠 수 있습니다.
- 금속 또는 종이 조각 같은 이물질은 본 제품의 틈새 안으로 떨어트리지 마십시오.  
그러지 않으면 화재, 감전 또는 오작동의 원인이 될 수 있습니다.
- 작은 부품이 유아의 손에 닿지 않게 하십시오.  
유아가 부품을 삼키는 사고가 발생할 수 있습니다.
- 본 제품에 다음과 같이 과도한 힘을 가하지 마십시오.
  - 제품에 체중을 실음
  - 무거운 물체를 제품에 올려놓음
  - 제품을 쌓아 올림
  - 버튼 또는 I/O 커넥터에 과도한 힘을 가함
  - 제품에 매달림
  - 제품에 기댐그러지 않으면 부상, 감전, 오작동 또는 제품 손상의 원인이 될 수 있습니다.
- 연결된 케이블을 당기지 마십시오.  
그러지 않으면 제품이 떨어지거나 쓰러져서 부상, 오작동 또는 손상을 입을 수 있습니다.

# 사용상 안전 주의사항

## 주의사항

아래 주의 사항을 잘 따라서 제품 고장 또는 손상과 데이터 손실을 방지하십시오 .

### 설치

- 노이즈가 들릴 경우 제품 위치 또는 방향이나 주변 환경을 바꾸십시오 . 제품을 사용하는 환경에 따라 , 전화기 , 라디오 또는 TV 에서 노이즈가 발생할 수 있습니다 .
- 제품을 다음에 노출될 수 있는 곳에 설치하지 마십시오 .
  - 직사광선
  - 매우 높거나 낮은 온도
  - 과도한 먼지그러지 않으면 오작동 , 변형 또는 훼손의 원인이 될 수 있습니다 .
- 주변 온도의 빠르고 급격한 변동으로 인해 결로가 발생할 수 있는 곳에 제품을 설치하지 마십시오 . 응결이 발생하는 동안 제품을 사용하면 오작동의 원인이 될 수 있습니다 . 제품 외부 또는 내부에 결로가 발생했다고 의심할 만한 이유가 있으면 전원을 켜지 말고 몇 시간 동안 놔두십시오 . 결로가 완전히 마르면 제품을 사용하기 시작할 수 있습니다 .
- 본 제품을 강한 전자기파에 노출될 수 있는 곳에 설치하지 마십시오 . 오작동의 원인이 될 수 있습니다 .
- 정보통신 케이블을 전원 코드 가까이에 설치하지 마십시오 . 높은 전압이 유발되어 오작동이 발생할 수 있습니다 .
- 포함된 항목 이외의 월 마운트 키트 또는 랙 마운트 키트를 사용하여 설치하지 마십시오 .

### 연결

- 본 제품을 공공 Wi-Fi 및 / 또는 인터넷에 직접 연결하지 마십시오 . 강력한 암호로 보호되는 라우터를 통해서만 본 제품을 인터넷에 연결하십시오 . 보안 모범사례에 대한 정보는 라우터 제조업체에 문의하십시오 .
- 이 제품과 동일한 전원 공급 라인에 소음 발생 디바이스를 연결하지 마십시오 . 그러면 손상 또는 오작동이 발생할 수 있습니다 .
- 본 제품을 1000BASE-T/2.5GBASE-T/5GBASE-T 네트워크에서 사용할 계획이면 Enhanced Category 5(CAT5e) 이상의 LAN 케이블을 사용하십시오 . 본 제품을 10GBASE-T 네트워크에서 사용할 계획이면 Category 6(CAT6) 이상의 케이블을 사용하십시오 . 단 , 2.5GBASE-T/5GBASE-T/10GBASE-T 네트워크에서 본 제품을 사용하려는 경우 인접 케이블 및 외부 노이즈의 영향으로 최대 전송 거리가 표준값보다 짧을 수 있습니다 . 자세한 내용은 Yamaha 웹 사이트의 “ 사용자 가이드 ” 를 참조하십시오 .
- DAC(Direct Attach Cable) 또는 STP 케이블을 사용하여 연결할 때 장치의 접지가 동일한 전위에 있는지 확인하십시오 .

(SWX2322P-16MT 모델에만 해당 )

- PoE 전원을 공급하는 케이블이 LAN 포트에서 분리된 경우에는 5 초 이상 기다린 후 다시 연결해 주십시오 . 그렇게 하지 않으면 오류나 오작동이 발생할 수 있습니다 .

### 취급

- 본 제품 위에 비닐 , 플라스틱 또는 고무 제품을 올려놓지 마십시오 .  
패널이 변색되거나 열화될 수 있습니다 .
- 본 제품을 만지기 전에 몸과 옷에서 정전기를 제거하십시오 . 그러지 않으면 정전기로 인해 제품의 오작동으로 이어질 수 있습니다 .
- 터미널 내부를 손가락이나 금속 물체로 만지지 마십시오 . 오작동 또는 접촉 불량이 발생할 수 있습니다 .
- 웹 사이트에서 본 제품에 대한 사용자 가이드를 읽고 지정된 SFP 모듈 (클래스 1 레이저 , 별매) 또는 DAC(Direct Attach Cable)(별매)만 SFP+ 슬롯에 연결하십시오 . 지정된 이외의 SFP 모듈 또는 DAC(Direct Attach Cable) 가 연결될 경우 작동을 보장할 수 없습니다 .
- 미사용 중인 SFP+ 슬롯에 먼지 커버를 부착하십시오 . 커버를 연결하지 않으면 이물질이 유입되어 오작동을 발생할 수 있습니다 . 먼지 커버의 손실을 방지하려면 안전한 장소에 보관하십시오 .
- DAC(Direct Attach Cable)( 별매 ) 을 빼내기 어려운 경우에는 사용자 가이드 ( 웹 사이트에서 제공 ) 를 참조하여 분리하십시오 . 케이블을 무리하게 당기면 본 제품 또는 DAC(Direct Attach Cable) 가 손상될 수 있습니다 .

### 유지보수

- 마르고 부드러운 천을 사용하여 제품을 닦으십시오 . 벤진 , 시너 , 세제나 화학물질이 묻은 천을 사용하여 제품 표면을 닦지 마십시오 . 표면이 변색되거나 열화될 수 있습니다 .

### 폐기 또는 양도

- 제품 소유권을 양도하거나 제품을 폐기하기 전에 제품 설정을 기본 설정으로 초기화하십시오 . 설정을 초기화하지 않고 소유권을 양도하거나 제품을 폐기하면 제 3 자가 개인 정보를 도용할 수 있습니다 .

# 중요한 정보

## 주

이어지는 내용에서는 사용 중에 지켜야 하는 주의 사항, 기능 제한, 그리고 유용할 수 있는 보충 정보에 대해 설명합니다.

### 제품 기능

- Yamaha 는 본 제품에 포함된 소프트웨어를 계속 개선하고 업데이트합니다. Yamaha 웹사이트에서 최신 소프트웨어를 다운로드할 수 있습니다.
- 인증된 광섬유 트랜시버 클래스 I 레이저 제품을 사용하십시오.

본 제품은 클래스 A 제품입니다. 주거환경에서 본 제품을 작동할 경우 전파 장애가 발생할 수 있습니다.

### 본 문서의 내용

- 본 문서에 있는 회사명과 제품명은 각 회사의 상표 또는 등록 상표입니다.
- 본 문서의 내용은 발행일을 기준으로 최신 사양에 적용됩니다. Yamaha 웹사이트에서 최신 버전을 다운로드할 수 있습니다.
- 본 문서의 일부 또는 전체를 허가 없이 복사하는 행위는 금지됩니다.

### 소프트웨어 라이선스 계약

제품 펌웨어 개정 번호를 업데이트할 수 있습니다. 펌웨어 개정판을 업데이트하는 것은 Yamaha 네트워크 제품 소프트웨어 라이선스 계약에 동의하는 것으로 간주됩니다. 펌웨어 개정판을 업데이트하기 전에 Yamaha 네트워크 제품 소프트웨어 라이선스 계약을 주의 깊게 읽으십시오.

Yamaha 네트워크 제품 소프트웨어 라이선스 계약의 조건에 동의할 수 없는 경우 펌웨어 개정판을 업데이트하지 마십시오. 과실이 있는 경우에도 Yamaha 는 해당 법률이나 규정에 의해 해당 면책 조항을 특별히 금지하지 않는 한 소프트웨어로 인해 발생한 고객 손실에 대해 책임을 지지 않습니다.

#### Yamaha 네트워크 제품 소프트웨어 라이선스 계약

<https://www.rtpro.yamaha.co.jp/RT/docs/firmware/license/LICENSE>

### 본 제품에 사용된 오픈 소스 소프트웨어

관련 라이선스 계약은 다음 웹사이트에서 확인할 수 있습니다.  
<https://www.yamahaproaudio.com/>

### 폐기 또는 양도

- 본 제품에 대한 소유권을 양도할 계획이면 본 문서와 제공된 부속품을 장치와 함께 동봉하십시오.
- 현지 당국의 규칙에 따라 본 제품과 부속품을 폐기하십시오.
- 현지 당국의 규칙에 따라 사용한 배터리를 폐기하십시오. 본 제품에는 리튬 배터리가 시계 기능 전원 백업용으로 사용됩니다.

이 기기는 업무용 환경에서 사용할 목적으로 적합성평가를 받은 기기로서 가정용 환경에서 사용하는 경우 전파간섭의 우려가 있습니다.

(class a korea)

### 제품 명판

본 제품의 모델 번호, 일련 번호, 전원 규격 등은 기기 상단에 있는 명판이나 명판 주위에서 확인할 수 있습니다. 또한 시 확인할 수 있도록 일련 번호를 아래 공란에 기입하고 본 사용설명서를 구매 기록으로 영구 보관해야 합니다.

모델 번호

일련 번호

(1003-M06 plate top ko 01)

# 개요

본 Yamaha 제품을 구입해 주셔서 감사합니다.

- 먼저 별도의 "안전 주의사항"을 읽으십시오.
- 본 제품을 올바르게 안전하게 사용하려면 본 매뉴얼의 경고 및 주의를 반드시 준수하십시오.
- 본 매뉴얼을 안전한 장소에 보관하여 분실하지 않도록 하십시오.

## 웹 사이트 정보

옵션 부속품, 사용자 가이드, 명령 참조 및 기술 데이터는 Yamaha 웹 사이트에서 확인할 수 있습니다.  
<https://www.yamahaproaudio.com/>

## 여기에 포함된 품목

포함된 다음 품목이 존재하는지 확인합니다.

- 먼저 읽어 주십시오(본 문서): 1개
- 전원 코드: 1개
- 전원 코드 클램프(포함된 전용 전원 코드에만 사용): 1개
- 먼지 커버(제품 배송 시 SFP+ 슬롯에 사전 설치됨): 4개
- 레그(고무 피트): 4개
- 19인치 랙 마운트 하드웨어: 2개
- 월 마운트 하드웨어: 2개
- 나사(M3 x 8L): 8개

### 주

나사산 직경은 3.0mm, 나사 머리 직경은 5.5mm, 나사 길이는 8.0mm입니다.

## 별매 품목

자세한 내용은 웹 사이트에서 제공됩니다.

사용하기 전에 다른 제품의 설명서와 본 제품의 사용자 가이드를 읽으십시오.

## 관련 소프트웨어 및 문서

본 제품의 용도에 따라 다음 매뉴얼이 준비되어 있습니다.

특정 용도에 따라 적절한 매뉴얼을 읽으십시오.

- 먼저 읽어 주십시오(본 문서)  
본 제품을 사용하기 위한 안전 주의사항을 설명합니다. 사용하기 전에 반드시 읽어주십시오.
- 사용자 가이드(웹 사이트)  
본 제품 및 기타 옵션을 설치, 연결, 설정하는 방법을 설명합니다.
- 명령 참조(웹 사이트)  
본 제품을 설정하기 위한 명령 형식과 사용 예를 설명합니다.
- 기술 참조(웹 사이트)  
본 제품의 기능에 대한 자세한 정보를 설명합니다.
- “웹 설정 화면”에 대한 도움말  
각 설정 항목에 대해 자세히 설명합니다.

다음 소프트웨어가 준비되어 있습니다 .

- **Yamaha LAN Monitor**

본 장치의 정보와 Dante 네트워크의 모든 Dante 장치를 포함한 전체 네트워크를 모니터링하는 데 사용되는 애플리케이션이자 이 애플리케이션에 대한 사용자 가이드입니다 .

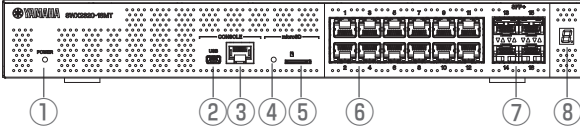
상기 소프트웨어는 다음 웹 사이트에서 다운로드할 수 있습니다 .

<https://www.yamahaproaudio.com/>

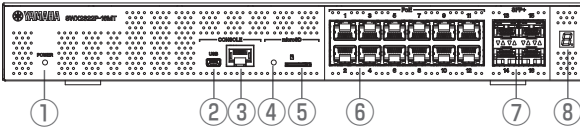
# 컨트롤 및 커넥터

## 앞면 패널

SWX2320-16MT



SWX2322P-16MT



### 주

앞면에 있는 많은 구멍은 외부 공기를 흡입하기 위한 냉각용 통풍구입니다.

#### ① POWER 표시등

장치에 전원이 공급되면 불이 들어옵니다.

#### ② 미니 USB CONSOLE 포트

이는 설정에 필요한 미니 USB 포트입니다. USB 케이블을 사용하여 컴퓨터의 USB 포트에 연결할 수 있습니다.

#### ③ RJ-45 CONSOLE 포트

이는 설정에 필요한 RJ-45 포트입니다. RJ-45/DB-9 콘솔 케이블을 사용하여 컴퓨터의 RS-232C 커넥터(COM 포트)에 연결할 수 있습니다.

#### ④ 마이크로SD 표시등

마이크로SD 카드의 연결 및 사용량 상태가 표시됩니다.

#### ⑤ 마이크로SD 슬롯

이 슬롯에 마이크로SD 카드를 넣을 수 있습니다.



### ⑥ LAN 포트

이 포트는 100BASE-TX, 1000BASE-T, 2.5GBASE-T, 5GBASE-T, 10GBASE-T를 지원합니다. SWX2322P-16MT 포트는 PoE 전원 공급을 지원합니다. 이것은 IEEE 802.3bt와 호환합니다.

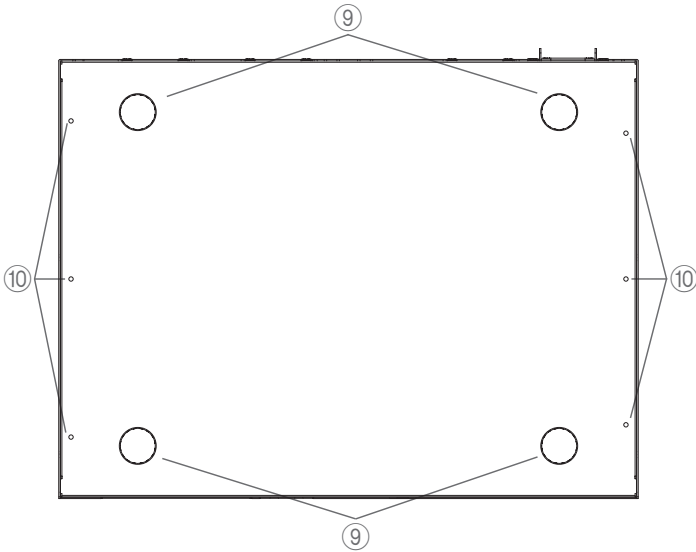
### ⑦ SFP+ 슬롯

이 슬롯은 1000BASE-SX, 1000BASE-LX, 10GBASE-SR, 10GBASE-LR을 지원합니다. SFP 모듈(별매) 및 DAC(Direct Attach Cable)(별매)를 설치합니다.

### ⑧ 스택 ID 표시등

이는 스택 연결 사용 시 스택 ID를 표시하는 7세그먼트 디스플레이입니다.

# 하부 패널



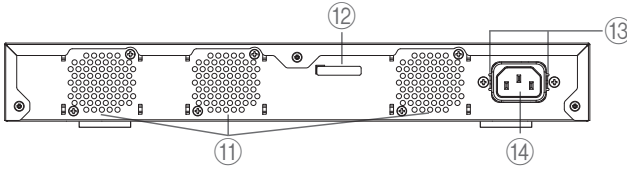
⑨ 고무 피트 부착 가이드

본 장치를 평평한 표면에 놓을 때 고무 피트가 부착되는 위치입니다.

⑩ 월 마운트 어태치먼트 구멍

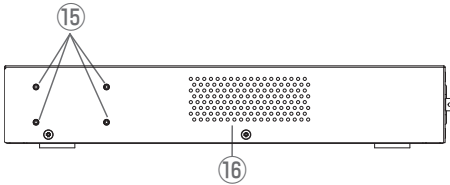
벽이나 천장에 설치할 때 포함된 월 마운트 액세서리를 부착하기 위한 나사 구멍입니다.

## 뒷면 패널



- ① **통풍구**  
내부에서 발생하는 열을 팬으로 강제 배출하기 위한 구멍입니다.
- ② **일련 번호**  
제품 라벨에 같은 표시가 있습니다.
- ③ **전원 코드 클램프 어태치먼트 구멍**  
여기에 포함된 전원 코드 클램프(C형)를 연결할 수 있습니다.
- ④ **전원 콘센트(3핀 커넥터, C14 타입)**  
여기에 포함된 전원 공급 코드를 넣습니다.

## 측면 패널



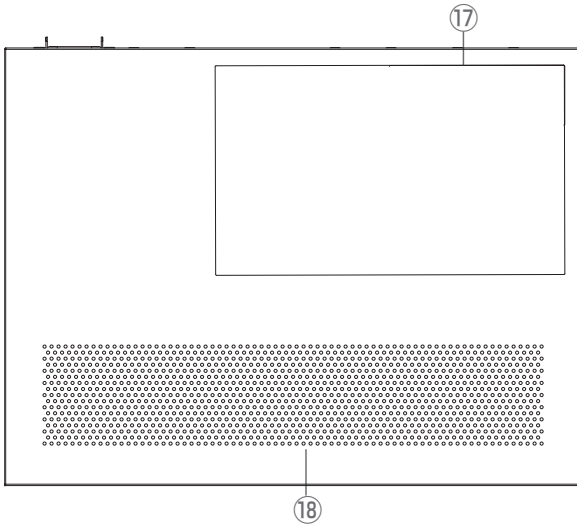
- ⑤ **랙 마운트 어태치먼트 구멍**  
본 제품을 19인치 랙(1U)에 설치할 때 포함된 랙 마운트 액세스리를 부착하기 위한 나사 구멍입니다.
- ⑥ **냉각용 통풍구**  
본 제품에 있는 구멍은 팬으로 외부 공기 흡입을 위한 냉각용 통풍구입니다.



### 경고

냉각용 통풍구를 차단하거나 통풍구 근처에 물체를 올려놓지 마십시오.  
그러면 화재나 오작동이 발생할 수 있습니다.

# 상단 패널



- ①7 **제품 라벨**  
여기에는 이 장치의 모델명, 일련 번호 및 MAC 주소 등이 나열됩니다.
- ①8 **냉각용 통풍구**  
이 제품에 있는 구멍은 외부 공기 흡입을 위한 냉각용 통풍구입니다.

# 부록

## 하드웨어 사양

품목		SWX2320-16MT	SWX2322P-16MT
LAN 포트	표준	IEEE802.3 (100BASE-TX/ 1000BASE-T/ 2.5GBASE-T/ 5GBASE-T/ 10GBASE-T)	
	포트 수	12	
	통신 모드	자동 협상	
	커넥터	RJ-45	
	극성	직선/ 교차를 자동 감지 또는 직선 상태에 고정됨	
PoE	포트 수	—	12
	표준	—	IEEE 802.3bt 타입 4 (클래스 0 - 8)
	전원 공급 시스템	—	얼터너티브 A / 얼터너티브 B
	최대 전원 공급	—	90 W / 포트, 250 W / 전체 장치
	호환되는 PoE 전원 장치	—	다음 표준을 따르는 PoE 전원 장치: IEEE 802.3af IEEE 802.3at IEEE 802.3bt
SFP+ 슬롯	표준	IEEE802.3z (1000BASE-SX/ 1000BASE-LX) IEEE802.3ae (10GBASE-SR/ 10GBASE-LR)	
	슬롯 수	4	
크기 돌출부 및 피트 미포함		330 mm(가로) × 44 mm(세로) × 250 mm(깊이)	
중량 (포함된 품목 없음)		2.7 kg	2.9 kg
전원 공급 전압 및 주파수		AC100 – 240 V, 50/60 Hz	
최대 전원 소비		84 W	385 W

부록

품목		SWX2320-16MT	SWX2322P-16MT
CONSOLE 포트	표준	RS-232C, USB 2.0	
	커넥터	RJ-45, USB 미니 B(5핀)	
	데이터 전송 속도	9600(기본값) / 19200/ 38400/ 57600/ 115200 비트/초	
마이크로SD 슬롯	표준	마이크로SD/ 마이크로SDHC	
	파일 시스템	FAT16/ FAT32	
표시등		POWER, 마이크로SD, STACK ID, LAN 포트(LINK/ ACT, SPEED), SFP+ 포트(LINK/ ACT, SPEED)	
팬 개수		3	
MAC 주소		장치 상부 패널의 제품 라벨에 표시됨	
작동 환경 조건	주변 온도	0 - 50 °C	
	주변 습도	15 - 80%(비응결 조건)	
스토리지 환경 조건	주변 온도	- 20 - 60 °C	
	주변 습도	10 - 90 %(비응결 조건)	

### Information for users on collection and disposal of old equipment and used batteries:



These symbols on the products, packaging, and/or accompanying documents mean that used electrical and electronic products and batteries should not be mixed with general household waste.



For proper treatment, recovery and recycling of old products and used batteries, please take them to applicable collection points, in accordance with your national legislation.



Cd

By disposing of these products and batteries correctly, you will help to save valuable resources and prevent any potential negative effects on human health and the environment which could otherwise arise from inappropriate waste handling.

For more information about collection and recycling of old products and batteries, please contact your local municipality, your waste disposal service or the point of sale where you purchased the items.

#### For business users in the European Union:

If you wish to discard electrical and electronic equipment, please contact your dealer or supplier for further information.

#### Information on Disposal in other Countries outside the European Union:

These symbols are only valid in the European Union. If you wish to discard these items, please contact your local authorities or dealer and ask for the correct method of disposal.

#### Note for the battery symbol (bottom two symbol examples):

This symbol might be used in combination with a chemical symbol. In this case it complies with the requirement set by the EU Battery Directive for the chemical involved.

(58-M03 WEEE battery en 01)

### SIMPLIFIED UK DECLARATION OF CONFORMITY

Hereby, Yamaha Corporation declares that the [SWX2320-16MT; SWX2322P-16MT] is in compliance with the Product Security and Telecommunications Infrastructure Regulations. The full text of the UK Declaration of Conformity is available at the following internet address:

<https://europe.yamaha.com/en/support/compliance/doc.html>

### Informationen zur Rückgabe von Elektro- und Elektronikgeräten, Lampen und Batterien, gültig für Deutschland



Elektro- und Elektronische Altgeräte beinhalten eine Vielzahl von wertvollen und wiederverwendbaren Rohstoffen und gehören im Falle einer Entsorgung nicht in die Restmülltonne, sondern Altgeräte sind getrennt zu sammeln und zu entsorgen. Besitzer von Altgeräten tragen damit zur sicheren Entsorgung bei und helfen, mögliche umwelt- oder gesundheitschädlichen Folgen zu vermeiden.



Zerstörungsfrei entnehmbare Altbatterien und Altkumulatoren sowie Lampen, sind vor der Entsorgung zu entfernen und getrennt zu behandeln. Alte oder defekte Batterien und Akkus können überall dort, wo Batterien verkauft werden, kostenfrei zurückgegeben werden. Ebenso die kommunalen Wertstoffhöfe nehmen alte Batterien und Akkus zurück. Das Symbol mit der durchgestrichenen Mülltonne weist darauf hin, dass Batterien und/oder Akkus getrennt vom Hausmüll gesammelt und entsorgt werden müssen.

Cd

Wenn die Batterie oder der Akku mehr als die in der europäischen Batterie-Richtlinie spezifizierten Werte für Blei (Pb), Quecksilber (Hg) und/oder Kadmium (Cd) enthält, werden die chemischen Symbole für Blei (Pb), Quecksilber (Hg) und/oder Kadmium (Cd) unter dem Symbol mit der durchgestrichenen Mülltonne angezeigt.

Indem Sie Batterien separat sammeln, tragen Sie zur sicheren Entsorgung von Produkten und Batterien bei und helfen damit, mögliche umwelt- oder gesundheitsschädliche Folgen zu vermeiden. Bringen Sie dazu alle Batterien und/oder Akkus zu Ihrer örtlichen Wertstoffhof oder einem Geschäft bzw. einer Einrichtung, wo diese Geräte zur umweltfreundlichen Entsorgung gesammelt werden.

Batterien und Akkus können bei unsachgemäßer Handhabung Risiken für Mensch und Umwelt bedeuten. Insbesondere bei Lithium handelt es sich um ein sehr reaktionsfreudiges und brennbares Metall, dass in Batterien oder Akkus bei unsachgemäßem Umgang Sicherheitsrisiken birgt, wie z. B. Kurzschlussgefahr, Hitzeentwicklung, Brand oder Austritt von umweltgefährdenden Stoffen. Lithium-Akkus müssen aus Sicherheitsgründen vor der Entsorgung gesichert werden. Kleben Sie die Anschlüsse mit Isolierband ab.

Hinweis zur Verpflichtung von Vertreibern zur unentgeltlichen Rücknahme von Altgeräten in Bezug auf Elektrogesetz §17 Absatz 1 und 2:

Rücknahmepflicht größerer Elektrofachmärkte (also Elektro-Fachgeschäfte, mit einer Verkaufsfäche für Elektro- und Elektronikgeräte von mindestens 400 m<sup>2</sup>),

Rücknahmepflicht für Lebensmitteläden mit einer Gesamtverkaufsfläche von mindestens 800 m<sup>2</sup>, die mehrmals pro Jahr oder dauerhaft Elektro- und Elektronikgeräte anbieten und auf dem Markt bereitstellen.

Diese Händler müssen bei der Abgabe eines neuen Elektrogeräts an einen Endnutzer ein Altgerät der gleichen Art kostenfrei zurücknehmen (1:1-Rücknahme); dies gilt auch für Lieferungen an private Haushalte.

Diese Händler sind verpflichtet von Endnutzern bis zu drei kleine Altgeräte (keine äußere Abmessung größer als 25 cm) kostenfrei im Einzelhandelsgeschäft oder in unmittelbarer Nähe zu diesem zurückzunehmen, ohne dass dies an einen Neukauf geknüpft werden darf (0:1-Rücknahme).

Diese Rücknahmepflichten gelten auch für den Versandhandel, wobei die Pflicht zur 1:1-Rücknahme im privaten Haushalt nur für Wärmeüberträger (Kühl-/Gefriergeräte, Klimageräte u.a.), Bildschirmgeräte und Großgeräte gilt; für die die 1:1-Rücknahme von Lampen, Kleingeräten und kleinen ITK-Geräten durch Endnutzer sowie die 0:1-Rücknahme müssen Versandhändler Rückgabemöglichkeiten in zumutbarer Entfernung zum Endverbraucher bereitstellen.

Als Hersteller informieren wir darüber, dass Altgeräte privater Haushalte (B2C Geräte) an einer dafür vorgesehenen Sammelstelle zurückgegeben werden können. Für Details wenden Sie sich an Ihre örtliche Behörden. Weiterführende Informationen finden Sie hier: <https://www.stiftung-car.de/de/startseite> oder hier: <https://e-schrott-entsorgung.org/>.

Achtung: Die Verantwortung für das Löschen von personenbezogenen Daten, die sich auf dem zu entsorgenden Gerät befinden, liegt beim Endnutzer!

Das Symbol mit der durchgestrichenen Mülltonne weist darauf hin, dass Produkte, deren Batterien/Akkumulatoren und/oder Verpackungen getrennt vom Hausmüll gesammelt und entsorgt werden müssen. Der schwarze Balken zeigt an, dass das Produkt nach dem 13. August 2005 auf den Markt gebracht wurde.

Die Sammel- und Recyclingquoten der Bundesrepublik Deutschland können auf der Seite des Bundesumweltministeriums eingesehen werden: <https://www.bmuv.de/themen/wasser-ressourcen-abfall/kreislaufwirtschaft/statistiken/elektro-und-elektronikaltgeraete>

(58-M02 WEEE de 02)

### Informations concernant la collecte et le traitement des piles usagées et des déchets d'équipements électriques et électroniques



Les symboles sur les produits, l'emballage et/ou les documents joints signifient que les produits électriques ou électroniques usagés ainsi que les piles usagées ne doivent pas être mélangés avec les déchets domestiques habituels.



Pour un traitement, une récupération et un recyclage appropriés des déchets d'équipements électriques et électroniques et des piles usagées, veuillez les déposer aux points de collecte prévus à cet effet, conformément à la réglementation nationale.



En vous débarrassant correctement des déchets d'équipements électriques et électroniques et des piles usagées, vous contribuerez à la sauvegarde de précieuses ressources et à la prévention de potentiels effets négatifs sur la santé humaine qui pourraient advenir lors d'un traitement inapproprié des déchets.

Pour plus d'informations à propos de la collecte et du recyclage des déchets d'équipements électriques et électroniques et des piles usagées, veuillez contacter votre municipalité, votre service de traitement des déchets ou le point de vente où vous avez acheté les produits.

#### **Pour les professionnels dans l'Union européenne :**

Si vous souhaitez vous débarrasser des déchets d'équipements électriques et électroniques, veuillez contacter votre vendeur ou fournisseur pour plus d'informations.

#### **Informations sur la mise au rebut dans d'autres pays en dehors de l'Union européenne :**

Ces symboles sont seulement valables dans l'Union européenne. Si vous souhaitez vous débarrasser de déchets d'équipements électriques et électroniques ou de piles usagées, veuillez contacter les autorités locales ou votre fournisseur et demander la méthode de traitement appropriée.

#### **Note pour le symbole « pile » (deux exemples de symbole ci-dessous) :**

Ce symbole peut être utilisé en combinaison avec un symbole chimique. Dans ce cas, il respecte les exigences établies par la directive européenne relative aux piles pour le produit chimique en question.

(58-M03 WEEE battery fr 01)

### Información para usuarios sobre la recogida y eliminación de los equipos antiguos y las pilas usadas



Estos símbolos en los productos, embalajes y documentos anexos significan que los productos eléctricos y electrónicos y sus pilas no deben mezclarse con los desperdicios domésticos normales.



Para el tratamiento, recuperación y reciclaje apropiados de los productos antiguos y las pilas usadas, llévelos a puntos de reciclaje correspondientes, de acuerdo con la legislación nacional.



Cd

Al deshacerse de estos productos y pilas de forma correcta, ayudará a ahorrar recursos valiosos y a impedir los posibles efectos desfavorables en la salud humana y en el entorno que de otro modo se producirían si se trataran los desperdicios de modo inapropiado.

Para obtener más información acerca de la recogida y el reciclaje de los productos antiguos y las pilas, póngase en contacto con las autoridades locales, con el servicio de eliminación de basuras o con el punto de venta donde adquirió los artículos.

#### **Para los usuarios empresariales de la Unión Europea:**

Si desea desechar equipos eléctricos y electrónicos, póngase en contacto con su vendedor o proveedor para obtener más información.

#### **Información sobre la eliminación en otros países fuera de la Unión Europea:**

Estos símbolos solamente son válidos en la Unión Europea. Si desea desechar estos artículos, póngase en contacto con las autoridades locales o con el vendedor y pregúnteles el método correcto.

#### **Nota sobre el símbolo de pila (dos ejemplos de símbolos en la parte inferior):**

Este símbolo se puede utilizar en combinación con un símbolo químico. En este caso, cumple el requisito establecido por la Directiva de la UE sobre pilas correspondiente a la sustancia química utilizada.

(58-M03 WEEE battery es 01)



### Informações para os usuários relativas à coleta e à eliminação de baterias e equipamentos usados



Os símbolos ilustrados, presentes em produtos, embalagens e/ou incluídos na documentação associada, indicam que as baterias e os produtos elétricos e eletrônicos usados não devem ser descartados juntamente com os resíduos domésticos em geral.



O procedimento correto consiste no tratamento, na recuperação e na reciclagem de produtos e baterias usados, que devem ser levados aos pontos de coleta adequados, em conformidade com a legislação nacional em vigor.



Cd

O descarte desses produtos e baterias de forma adequada permite poupar recursos valiosos e evitar potenciais efeitos prejudiciais para a saúde pública e para o ambiente, associados ao processamento incorreto dos resíduos.

Para obter mais informações relativas à coleta e à reciclagem de baterias e produtos usados, contate as autoridades locais, o serviço de descarte de resíduos ou o ponto de venda onde foram adquiridos os itens relevantes.

#### Informações para usuários empresariais na União Europeia:

Para descartar equipamentos elétricos e eletrônicos, contate o seu revendedor ou fornecedor para obter informações adicionais.

#### Informações relativas ao descarte em países não pertencentes à União Europeia:

Estes símbolos são válidos exclusivamente na União Europeia. Caso pretenda descartar esses tipos de itens, contate as autoridades locais ou o seu revendedor e informe-se sobre o procedimento correto de descarte.

#### Nota relativa ao símbolo referente a baterias (os dois exemplos de símbolos na parte inferior):

Este símbolo poderá ser apresentado juntamente com um símbolo químico. Nesse caso, ele estará em conformidade com os requisitos estabelecidos na diretiva da UE sobre baterias no âmbito do elemento químico relacionado.

(58-M03 WEEE battery pt-BR 01)

### Informazioni per gli utenti sulla raccolta e lo smaltimento di vecchia attrezzatura e batterie usate



Questi simboli sui prodotti, sull'imballaggio e/o sui documenti che li accompagnano, indicano che i prodotti elettrici ed elettronici e le batterie non devono essere mischiati con i rifiuti generici.



Per il trattamento, il recupero e il riciclaggio appropriato di vecchi prodotti e batterie usate, si prega di portarli ai punti di raccolta designati, in accordo con la legislazione locale.



Cd

Smaltendo correttamente questi prodotti e batterie si potranno recuperare risorse preziose, oltre a prevenire potenziali effetti negativi sulla salute e l'ambiente che potrebbero sorgere a causa del trattamento improprio dei rifiuti.

Per ulteriori informazioni sulla raccolta e il riciclaggio di vecchi prodotti e batterie, si prega di contattare l'amministrazione comunale locale, il servizio di smaltimento dei rifiuti o il punto vendita dove sono stati acquistati gli articoli.

#### Per utenti imprenditori dell'Unione europea:

Se si desidera scartare attrezzatura elettrica ed elettronica, si prega di contattare il proprio rivenditore o il proprio fornitore per ulteriori informazioni.

#### Informazioni sullo smaltimento negli altri

##### Paesi al di fuori dell'Unione europea:

Questi simboli sono validi solamente nell'Unione Europea; se si desidera scartare questi articoli, si prega di contattare le autorità locali o il rivenditore e richiedere informazioni sulla corretta modalità di smaltimento.

#### Note per il simbolo della batteria (in basso due esempi del simbolo):

È possibile che questo simbolo sia usato in combinazione con un simbolo chimico. Questo caso è conforme al requisito stabilito dalle Direttive UE sulle batterie relative agli elementi chimici contenuti.

(58-M03 WEEE battery it 01)

### 产品中有害物质的名称及含量

部件名称	有害物质					
	铅 (Pb)	汞 (Hg)	镉 (Cd)	六价铬 (Cr(VI))	多溴联苯 (PBB)	多溴二苯醚 (PBDE)
外壳	○	○	○	○	○	○
印刷线路板 组件 PCBA	×	○	○	○	○	○
电缆类	×	○	○	○	○	○
电源供应器	×	○	○	○	○	○
风扇	×	○	○	○	○	○

本表格依据 SJ/T 11364 的规定编制。

○: 表示该有害物质在该部件所有均质材料中的含量均在 GB/T 26572 规定的限量要求以下。

×: 表示该有害物质至少在该部件的某一均质材料中的含量超出 GB/T 26572 规定的限量要求。

(16-M04 CN 01)



此标识适用于在中华人民共和国销售的电器电子产品。  
标识中间的数字为环保使用期限的年数。

(16-M03 CN 01)

# Yamaha Worldwide Representative Offices

## English

For details on the product(s), contact your nearest Yamaha representative or the authorized distributor, found by accessing the 2D barcode below.

## Deutsch

Wenden Sie sich für nähere Informationen zu Produkten an eine Yamaha-Vertretung oder einen autorisierten Händler in Ihrer Nähe. Diese finden Sie mithilfe des unten abgebildeten 2D-Strichodes.

## Français

Pour obtenir des informations sur le ou les produits, contactez votre représentant ou revendeur agréé Yamaha le plus proche. Vous le trouverez à l'aide du code-barres 2D ci-dessous.

## Español

Para ver información detallada sobre el producto, contacte con su representante o distribuidor autorizado Yamaha más cercano. Lo encontrará escaneando el siguiente código de barras 2D.

## Italiano

Per dettagli sui prodotti, contattare il rappresentante Yamaha o il distributore autorizzato più vicino, che è possibile trovare tramite il codice a barre 2D in basso.

## Português

Para mais informações sobre o(s) produto(s), fale com seu representante da Yamaha mais próximo ou com o distribuidor autorizado acessando o código de barras 2D abaixo.

## Русский

Чтобы узнать подробнее о продукте (продуктах), свяжитесь с ближайшим представителем или авторизованным дистрибьютором Yamaha, воспользовавшись двухмерным штрихкодом ниже.

## 简体中文

如需有关产品的详细信息，请联系距您最近的Yamaha代表或授权经销商，可通过访问下方的2D条形码找到这些代表或经销商的信息。

## 繁體中文

如需產品的詳細資訊，請聯絡與您距離最近的Yamaha銷售代表或授權經銷商，您可以掃描下方的二維條碼查看相關聯絡資料。

## 한국어

제품에 대한 자세한 정보는 아래 2D 바코드에 액세스하여 가까운 Yamaha 담당 판매점 또는 공식 대리점에 문의하십시오.



[https://manual.yamaha.com/audio/address\\_list/](https://manual.yamaha.com/audio/address_list/)

Yamaha Pro Audio global website  
<https://www.yamahaproaudio.com/>  
Yamaha Downloads  
<https://download.yamaha.com/>

© 2021 Yamaha Corporation  
Published 08/2024  
2024年8月 发行  
IPOD-B0