

CHIMES
YCH7018 YCH6018

CHIME STAND
YCHS7018 YCHS7006

取扱説明書

Owner's Manual

Benutzerhandbuch

Mode d'emploi

Manual de instrucciones

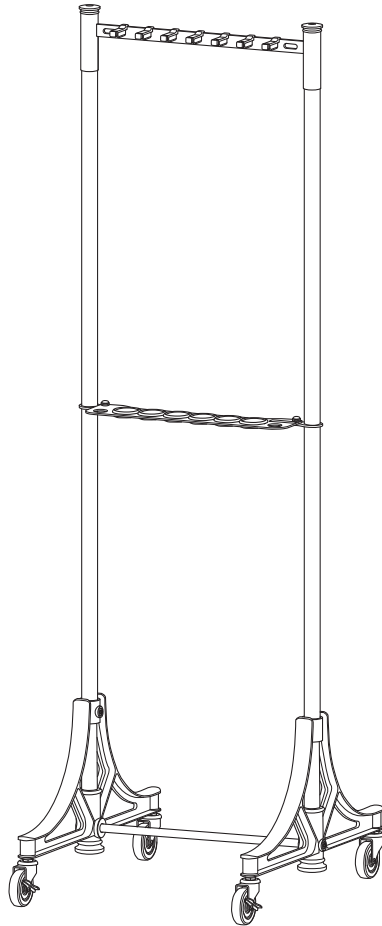
Manual do Proprietário

Руководство пользователя

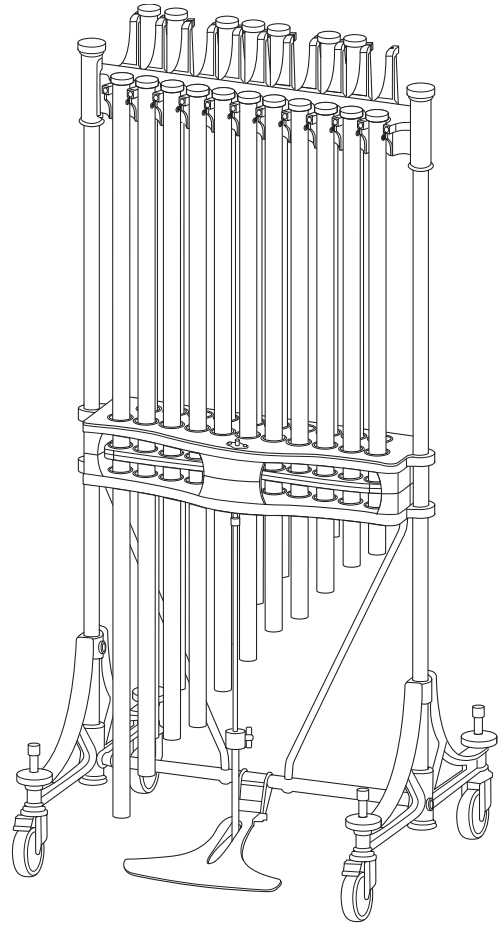
使用说明书

使用説明書

사용설명서



YCHS7006



YCH7018

PRECAUTIONS

PLEASE READ CAREFULLY BEFORE PROCEEDING

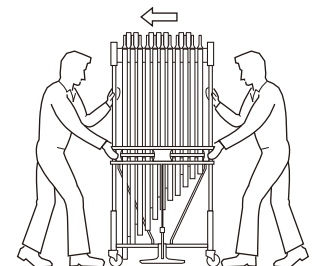
Please keep this manual in a safe and handy place for future reference.

WARNING

Always follow the basic precautions listed below to avoid the possibility of serious injury or even death from the chimes overturning, falling, the assembly running out of control or the parts falling.

Moving the instrument

- Lock the casters except when moving or transporting the chimes.
- Use a sufficient number of people when moving or transporting the chimes.
- The chimes should only be moved across smooth, flat surfaces when using the casters. Always move the chimes slowly, supporting the side frames as shown in the illustration. Never move the chimes on a sloped, unstable, or gravel surface.



- Never run when moving or transporting the chimes. Doing so can result in the chimes running out of control, hitting an obstacle or wall and causing serious injury.
- With the sound tubes attached, do not lift the chimes and do not go up or down stairs with the chimes. Only move the chimes after the unit has been disassembled.
- Stop use immediately if you notice any of the following abnormalities in the casters.
 - One of the casters stops rotating when moving.
 - The stoppers behave abnormally.These could cause the chimes to move or tip over, possibly causing injury.

Handling

- Do not go near the chimes during an earthquake. Strong shaking during an earthquake could cause the chimes to move or tip over, possibly causing injury.

CAUTION

Always follow the basic precautions listed below to avoid the possibility of physical injury to you or others, or damage to the instrument or other property. These precautions include, but are not limited to, the following:

Moving the instrument

- When transporting the chimes, make sure that all caster locks are released.

Assembly

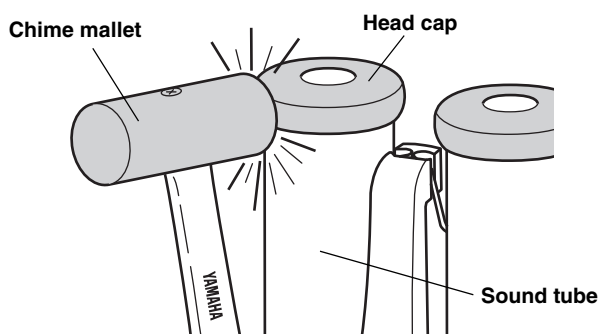
- When removing the chimes from the package, raising the chimes and assembling the stand, always use two or more people. Failure to do so might result in damage to the chimes or the chimes overturning, and possibly causing injury.
- Assemble the chimes in the proper sequence by following the assembly instructions in this manual. Failure to do so might result in chimes overturning, and possibly causing injury.
- Make sure to tighten the screws or bolts regularly. Failure to do so might result in misalignment of the chimes during playing, noises, possibly causing injury.
- Use only the specified chime stand. Failure to do so might result in the sound tubes falling, and possibly causing injury.

Handling

- Before every playing, make sure to confirm that the wires are not damaged and that all wires are properly secured. Replace any wire that is damaged. Failure to do so might result in the sound tubes falling, and possibly causing injury.
- When handling the sound tubes, be careful not to drop them. Especially be careful when transporting and attaching or removing the sound tubes, and when replacing the wires. Failure to do so may result in damage to the sound tubes, possibly causing injury.
- Do not recklessly swing the chime mallets. It may injure people or damage surrounding objects.
- Make sure to periodically check that the screws and bolts are not loose. Use the included hex key of the YCHS7006. For models other than YCHS7006, use the hex key you own or consult qualified Yamaha service personnel.
- Keep small parts (such as wires, wire caps, screws or bolts) away from small children who might accidentally swallow them.
- Replace the wire cap if it is damaged.
- Do not directly touch the frayed wire with your hand.
- Before playing, make sure to check that the tops of all the sound tubes are in line. Failure to do so might result in the sound tubes falling, and possibly causing injury.
- Do not insert your finger, hand or foot in any gaps on the casters, height adjustment mechanism or active part of dampers. Doing so can result in pinching your finger/hand/foot, and possibly causing injury.

NOTICE

- When transporting the chimes, remove all sound tubes from the chime stand. After the sound tubes are removed, wrap them in a soft cloth, etc., to prevent scratching while transporting.
- When attaching or removing the sound tubes, do so in a place where there is sufficient room, so that the tubes do not come into contact with other objects.
- When transporting or moving the instrument, do not subject it to strong shocks.
- The sound tube's pitch and/or tone may change if the tubes are scratched or bent. Be careful to avoid this.
- Hit the Head cap when playing the chime. Never directly hit the sound tube with the chime mallet. Failure to do so might result in damage to the sound tube.



- Do not use hammers other than chime mallets for playing the chimes. Doing so can result in damage to the sound tube.
- Do not use the chime mallets for anything other than playing the chimes.
- Always use the chimes on a flat, level surface. The chimes will not function properly on a sloped surface.
- Do not rest your weight, or place heavy objects on the damper pedal. Doing so can result in damage to the damper.
- When not playing the chimes, contact the damper with the sound tubes. Doing so prevents resonance of the sound tubes from the acoustic sound of surrounding instruments.
- Do not keep the chimes in an environment with high temperature or high humidity.
- When cleaning the product, wipe with a soft and dry cloth. Do not use thinners or polishing preparations.

INFORMATION

- When exposed to the air, the sound tubes may discolor over time, but this does not affect the sound quality.
- Use the sound tube and chime stand in the correct combination. When a sound tube for the YCH6018 is attached to the YCHS7018, the reverberation cannot be shortened by the damper pedal.
- The illustrations as shown in this manual are for instructional purposes only, and may appear somewhat different from those on your instrument.
- The company names and product names in this manual are the trademarks or registered trademarks of their respective companies.

Introduction

Thank you for purchasing the Yamaha YCH series chimes.

YCH7018 is a set of the stand YCHS7018 and the sound tubes (YCHT7018).

YCH6018 is a set of the stand YCHS6018 and the sound tubes (YCHT6018).

The product name in this manual uses the set name.

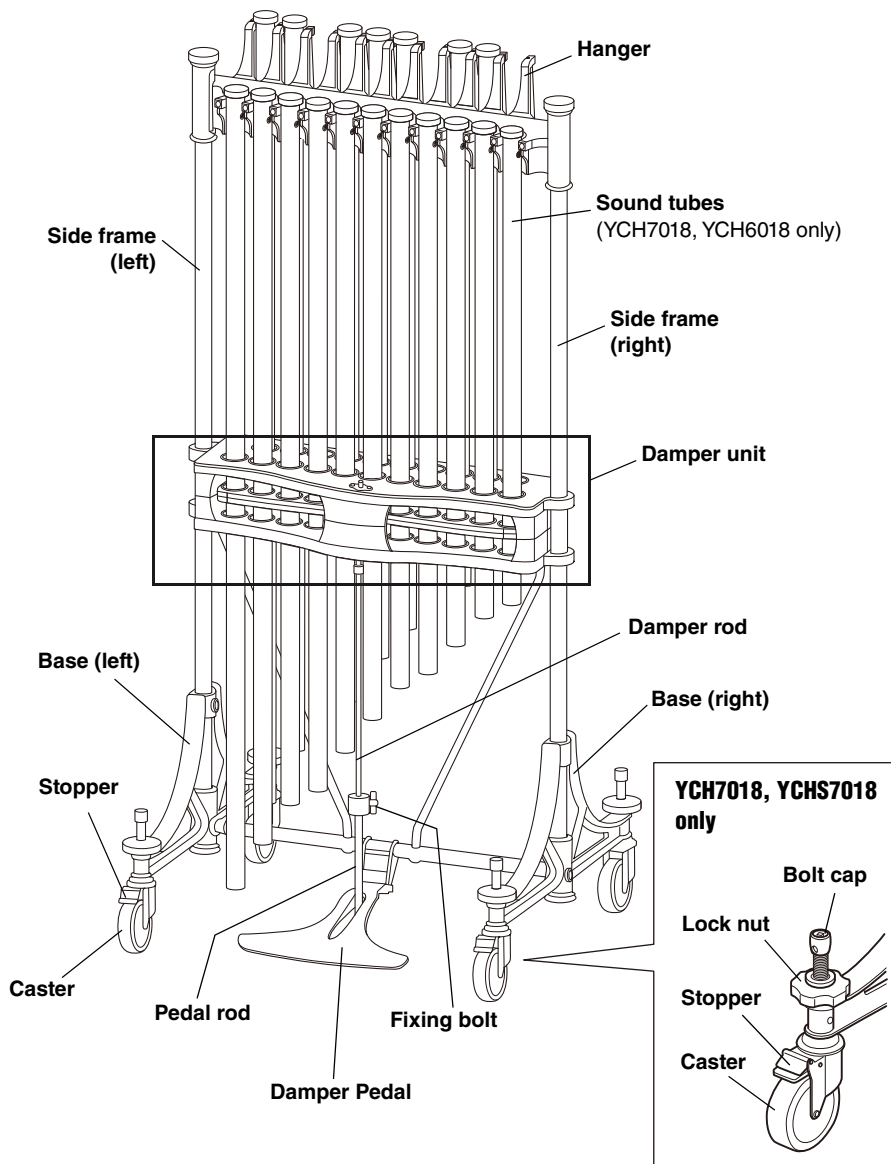
Accessories

- **Chime mallet x2** (included in YCH7018 and YCH6018)
- **Spare wire x1** (included in YCH7018 and YCH6018)
- **Dust cover x1** (included in YCH7018 and YCH6018)
- **Tuning key x1** (included in YCH7018 and YCHS7018)
- **Hex key 5 mm x1** (included in YCHS7006)
- **Owner's Manual x1** (this book)
- **Yamaha representative or the authorized distributor list x1**

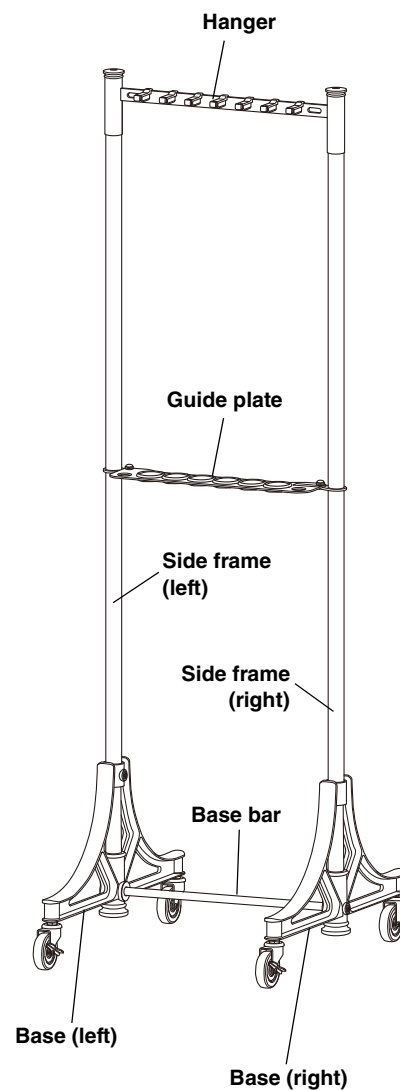
Part Names

YCH7018 YCH6018 YCHS7018

The illustration shows the YCH7018, but the information applies to all models (except where indicated).



YCHS7006



Assembly Procedure

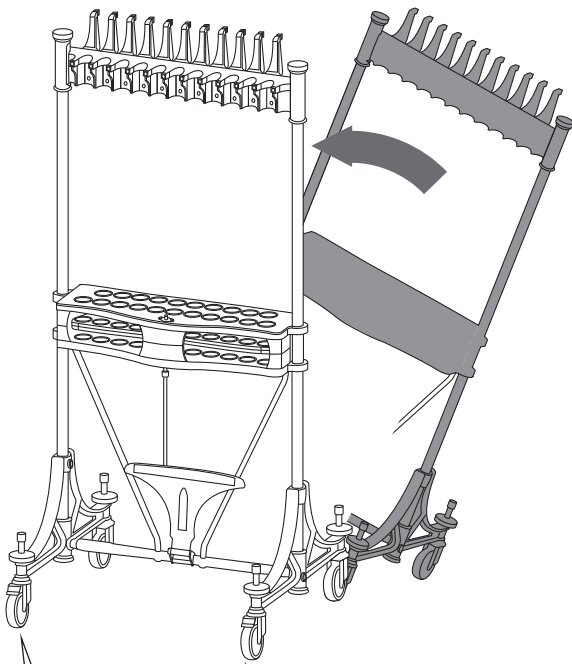
■ Assembling the Stand: YCH7018, YCH6018, YCHS7018

YCH7018, YCH6018 and YCHS7018 are packaged assembled.

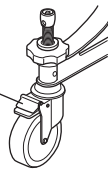


When taking the chimes out from the package and raising them, always use two or more people.

1. Take the stand out from the package, and then stand it on a flat, level surface.
2. Press down with your foot on the caster stoppers to lock the casters.

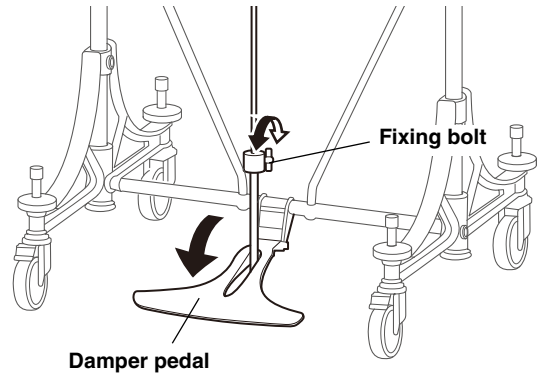


This stopper switches between locking and unlocking the casters. (Press down on it to lock.)



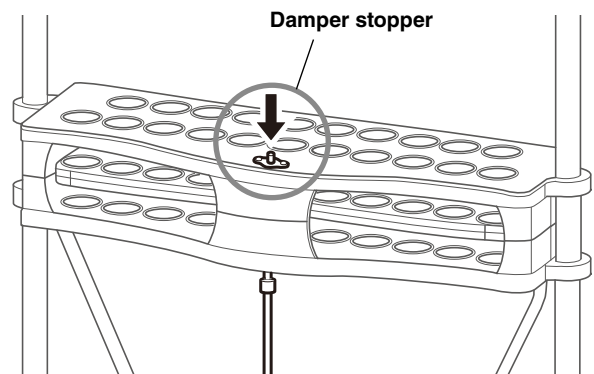
3. Lower the damper pedal.

To lower the damper pedal, loosen the fixing bolt, lower the pedal, and then tighten the fixing bolt again.



4. Release the damper.

To release the damper, push the damper stopper while pressing the damper pedal, and then release your foot from the pedal.



5. Install the sound tubes by following the assembly instructions in “Attaching the Sound Tubes.”

6. Adjust the amount of damper pedal depression by following the instructions in “Adjusting the Damper Pedal (YCH7018, YCH6018, YCHS7018).”

Assembly Procedure

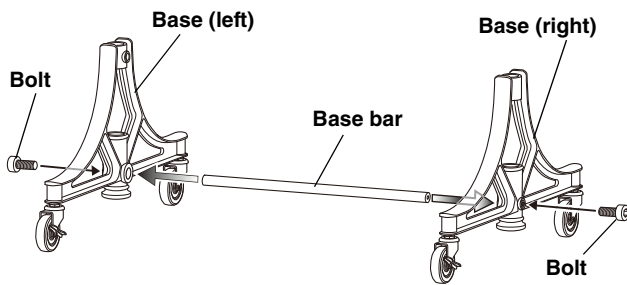
■ Assembling the Stand: YCHS7006



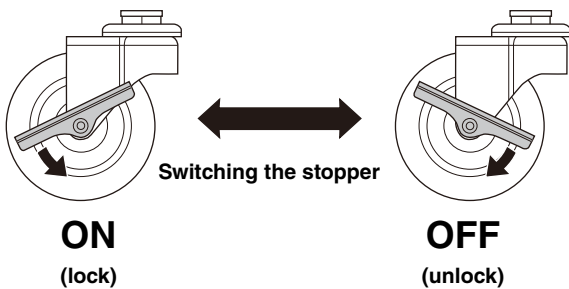
When assembling the chimes, always use two or more people.

1. Link the left and right bases with the base bar.

Insert the base bar into the holes of the bases firmly all the way, and then tighten with the included bolts to secure using the included hex key.

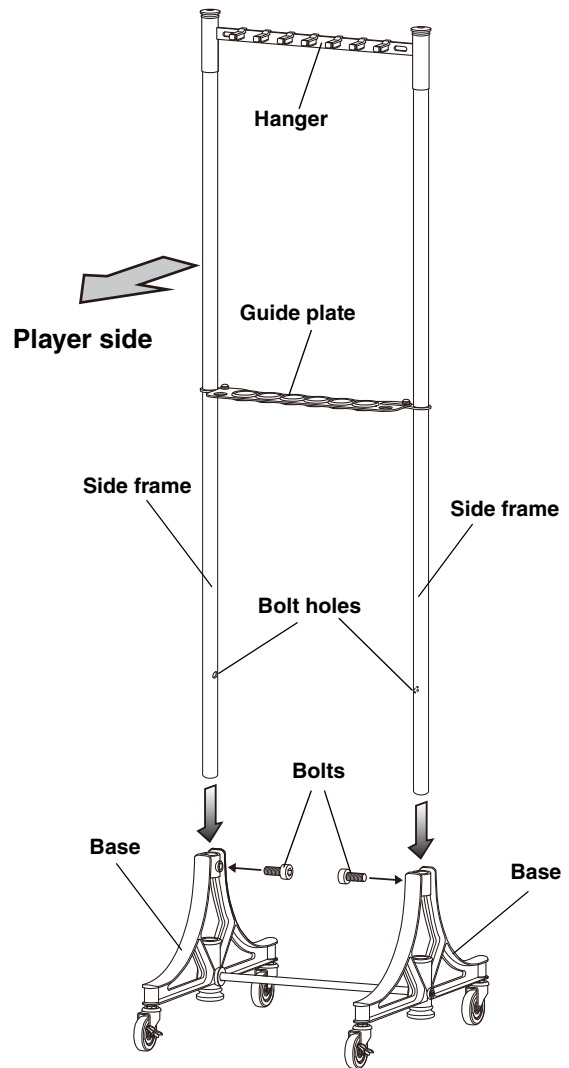


2. Lock the stoppers of the left and right casters.



3. Insert the side frames into the bases so that the hanger, guide plate and casters with stopper are on the player side.

Align the bolt holes on the side frame with bolt holes on the bases, and then temporarily fix with the included bolts.



4. Tighten the two bolts temporarily fixed in step 3.

5. Attach the sound tubes to the frame according to the "Attaching the Sound Tubes" (page 7).

■ Attaching the Sound Tubes

Install the sound tubes with the damper released.

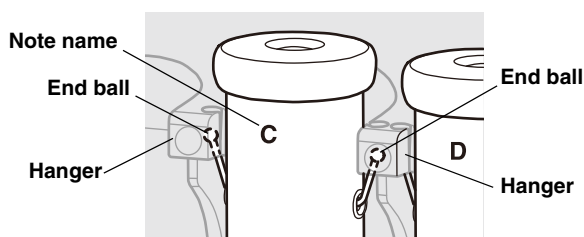
1. Put the sound tubes on a stable, flat, level surface.

To prevent damage to the tubes, place a soft cloth on the floor where the tubes will be placed.

2. Remove the protective film that was applied to the sound tube surface.

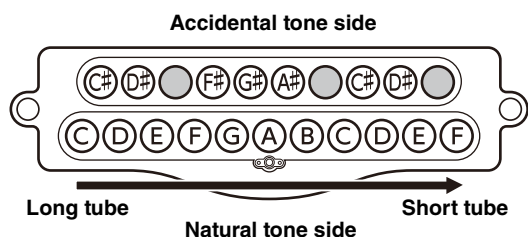
3. Hook both end balls of the wire in the grooves of the hanger.

At this time, turn the note name toward the player.



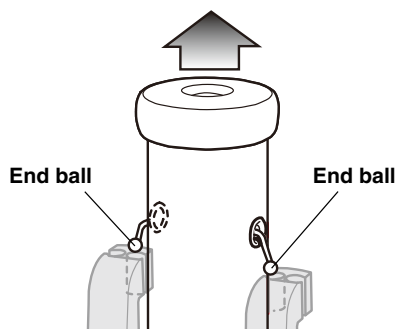
YCH7018, YCH6018, YCHS7018

Generally, arrange the sound tubes as shown below. The places filled with gray are not used.



■ Replacing the Wire

1. Hold the sound tube while being careful not to contact other sound tubes and stand, detach the end balls from the grooves of the hanger, and then remove the sound tube.



NOTICE

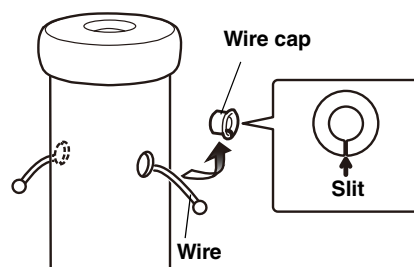
- When removing the sound pipes, pull them up straight. Pulling them up aslant can cause the wire to contact the outside surface and result in damage to the chimes.

2. Put the sound tubes on a stable, flat, level surface.

To prevent damage to the tubes, place a soft cloth on the floor where the tubes will be placed.

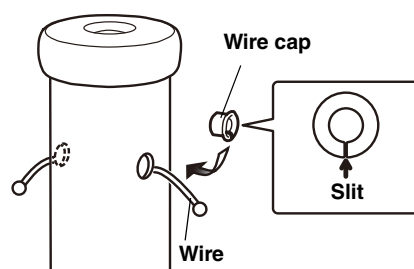
3. Remove the wire caps.

When removing the wire cap, pass the wire through the slit of the wire cap.



4. Replace the wire.

5. Attach the wire caps to the sound tube.



CAUTION

The wire is structured by multiple strands of thin metal wires. When a thin metal wire is cut, replace the wire with a wire which is not damaged. If the wire is broken, the sound tube might fall, and possibly causing injury.

NOTICE

- Replace the wire cap if it is damaged. If you keep using the damaged wire cap, the wire will be easily damaged. Please contact qualified Yamaha service personnel about the wire cap (sold separately) for replacement.

NOTE

- Since the wire caps are very small and can be easily lost, be careful when handling them.

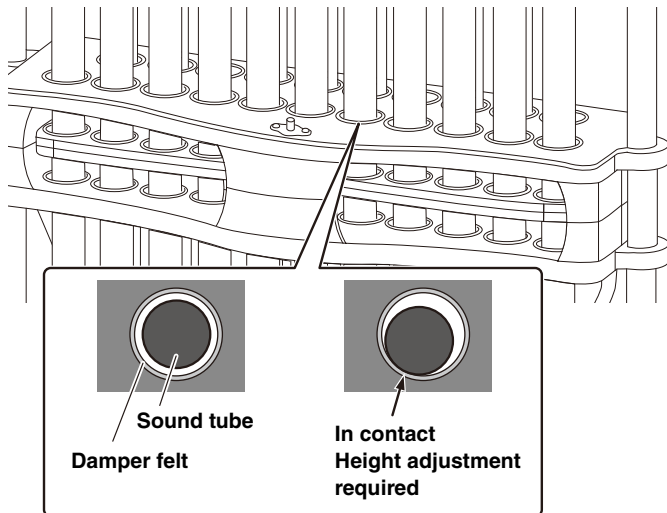
Preparation Before Playing

Play the chimes on a flat, level surface.

In YCH7018 and YCHS7018, if some sound tubes are in contact with the damper felt while releasing the damper, adjust the four casters according to the steps below.

In YCH6018, if some sound tubes are in contact with the damper felt even while the damper is released, place the chimes on a flat, level surface.

For the YCHS7006, place the chimes where all sound tubes are not in contact with the guide plate.



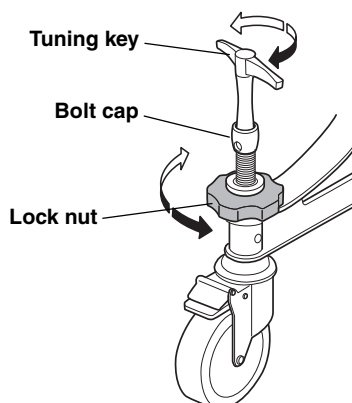
■ Adjusting the Height of the Casters (YCH7018, YCHS7018)

1. Turn the lock nut on upper of the caster counterclockwise to release the height lock.

2. Turn the bolt cap of each caster using the included tuning key to adjust the chimes height from the floor.

Turning it clockwise raises the height away from the floor, while turning it counterclockwise lowers it toward the floor.

3. After the height is adjusted, turn the lock nut clockwise to lock the height.



■ Adjusting the Damper Pedal (YCH7018, YCH6018, YCHS7018)

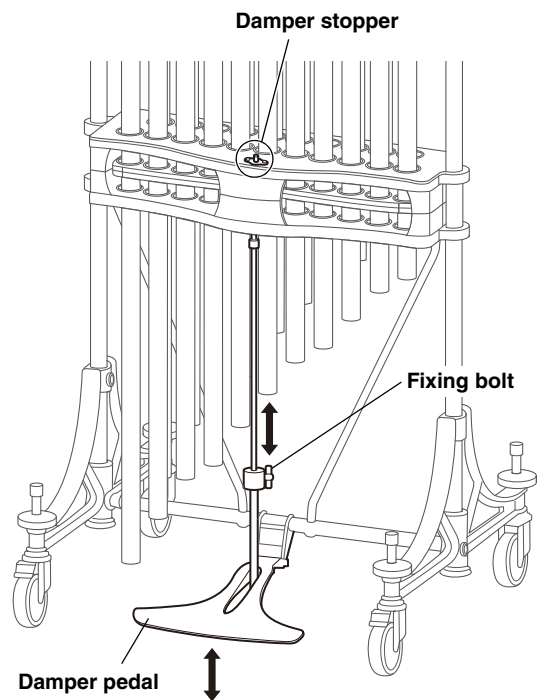
The damper holds the sound tubes with the damper felt to shorten the reverberation of the chime sound. While pressing the damper pedal, the damper is released and reverberations are heard. When you stop pressing the damper pedal, the damper will work and the reverberation will stop.

The position of the damper pedal can be adjusted by the following steps.

1. Loosen the fixing bolt.

2. Adjust the position of the damper pedal.

3. Tighten the fixing bolt to fix the damper pedal.



● Using the damper stopper

You can keep the damper release by pushing in the damper stopper while pressing the damper pedal. To release the damper stopper, press the damper pedal again.

NOTE

- When the depth of pressing the pedal is insufficient, the damper stopper cannot be pushed in. In this case, adjust the damper pedal position so that you can fully depress the pedal.

Troubleshooting

The damper does not release

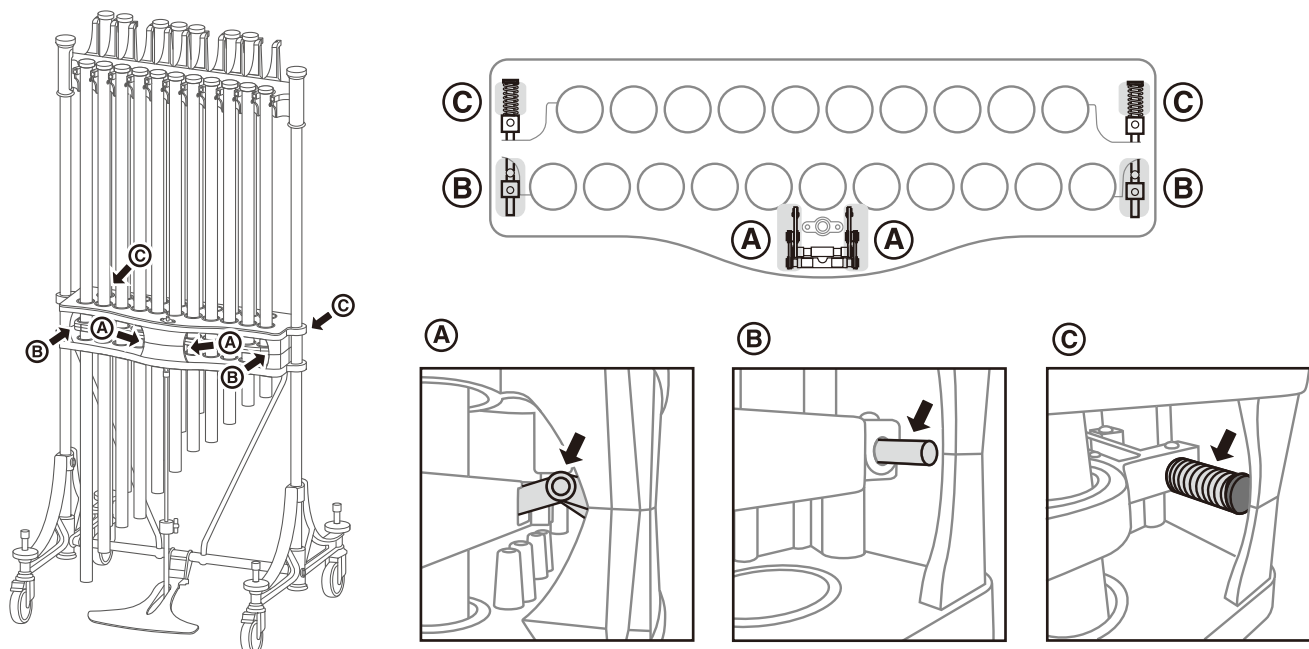
- Stop pressing the damper pedal while pressing the damper stopper.
- When the depth of pressing the damper pedal is insufficient, the damper stopper cannot be pushed in. In this case, adjust the damper pedal position so that you can fully depress the pedal.

Noise, poor sound

- Place the chimes on a flat, level surface.
- **(YCH7018, YCHS7018 only)** When the floor is not a level surface, adjust the height of the four casters.
- When the wire cap is damaged, replace it with a wire cap which is not damaged. Please contact qualified Yamaha service personnel about the wire cap (sold separately) for replacement.

Maintenance grease

Apply a small amount of grease to the locations indicated below at least once a year, or as needed. A spray type lithium soap based grease is recommended.



Specifications

	YCH7018	YCH6018	YCHS7018	YCHS7006
Range	C52–F69	C52–F69	–	–
Tube diameter (mm)	38.1	31.8	–	–
Dimensions (cm) W × D × H	81 × 71 × 177–181	81 × 71 × 167	81 × 71 × 175–179	56 × 68 × 181
Pitch (Hz)	A=442	A=442	–	–
Damper	Yes	Yes	Yes	–
Height adjustment mechanism	Yes	–	Yes	–
Weight (kg)	85	63	30	15

* The contents of this manual apply to the latest specifications as of the publishing date. To obtain the latest manual, access the Yamaha website and then download the manual file. Since specifications, equipment or separately sold accessories may not be the same in every locale, please check with your Yamaha dealer.

雅马哈乐器音响（中国）投资有限公司

上海市静安区新闻路1818号云和大厦2楼

客户服务热线：4000517700

公司网址：<http://www.yamaha.com.cn>

制造商：雅马哈株式会社

制造商地址：日本静冈县滨松市中区中泽町10-1

进口商：雅马哈乐器音响（中国）投资有限公司

进口商地址：上海市静安区新闻路1818号云和大厦2楼

原产地：日本

Manual Development Group
©2019 Yamaha Corporation
Published 11/2021
2021年11月发行
POTO-B0

VFN6620