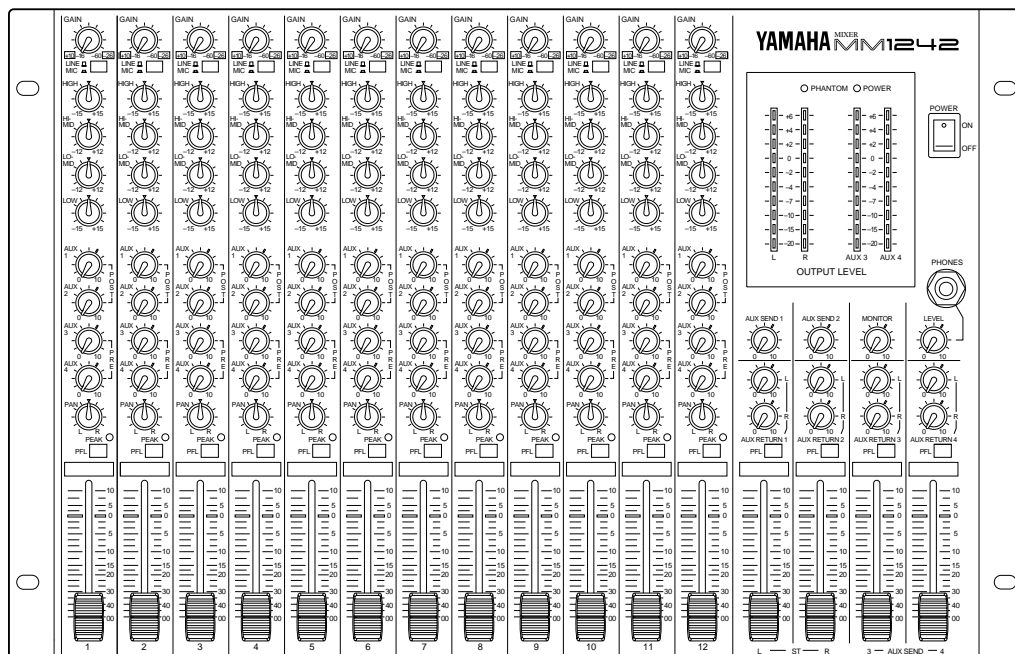


YAMAHA

MIXER MELANGEUR MISCHPULTE MEZCLA

MM1242

*Operation Manual
Manuel d'instructions
Bedienungsanleitung
Manual de Operación*



FCC INFORMATION (U.S.A.)

1. **IMPORTANT NOTICE: DO NOT MODIFY THIS UNIT!**

This product, when installed as indicated in the instructions contained in this manual, meets FCC requirements. Modifications not expressly approved by Yamaha may void your authority, granted by the FCC, to use the product.

2. **IMPORTANT:** When connecting this product to accessories and/or another product use only high quality shielded cables. Cable/s supplied with this product **MUST** be used. Follow all installation instructions. Failure to follow instructions could void your FCC authorization to use this product in the USA.

3. **NOTE:** This product has been tested and found to comply with the requirements listed in FCC Regulations, Part 15 for Class "B" digital devices. Compliance with these requirements provides a reasonable level of assurance that your use of this product in a residential environment will not result in harmful interference with other electronic devices. This equipment generates/uses radio frequencies and, if not installed and used according to the instructions found in the users manual, may cause interference harmful to the operation of other electronic devices. Compliance with FCC regulations does not guarantee that interference will not occur in all installations. If this product is found to be the source of interference, which can be determined by turning the unit "OFF" and "ON", please try to eliminate the problem by using one of the following measures:

Relocate either this product or the device that is being affected by the interference

Utilize power outlets that are on different branch (circuit breaker or fuse) circuits or install AC line filter/s.

In the case of radio or TV interference, relocate/reorient the antenna. If the antenna lead-in is 300 ohm ribbon lead, change the lead-in to coaxial type cable.

If these corrective measures do not produce satisfactory results, please contact the local retailer authorized to distribute this type of product. If you can not locate the appropriate retailer, please contact Yamaha Corporation of America, Electronic Service Division, 6600 Orangethorpe Ave, Buena Park, CA 90620

* This applies only to products distributed by YAMAHA CORPORATION OF AMERICA

Dette apparat overholder det gældende EF-direktiv vedtrørende radiostøj.

Cet appareil est conforme aux prescriptions de la directive communautaire 87/308/CEE.

Diese Geräte entsprechen der EG-Richtlinie 82/499/EWG und/oder 87/308/EWG.

This product complies with the radio frequency interference requirements of the Council Directive 82/499/EEC and/or 87/308/EEC.

Questo apparecchio è conforme al D.M.13 aprile 1989 (Direttiva CEE/87/308) sulla soppressione dei radiodisturbi.

Este producto está de acuerdo con los requisitos sobre interferencias de radio frecuencia fijados por el Consejo Directivo 87/308/CEE.

YAMAHA CORPORATION

CANADA

THIS DIGITAL APPARATUS DOES NOT EXCEED THE "CLASS B" LIMITS FOR RADIO NOISE EMISSIONS FROM DIGITAL APPARATUS SET OUT IN THE RADIO INTERFERENCE REGULATION OF THE CANADIAN DEPARTMENT OF COMMUNICATIONS.

LE PRESENT APPAREIL NUMERIQUE N'EMET PAS DE BRUITS RADIOELECTRIQUES DEPASSANT LES LIMITES APPLICABLES AUX APPAREILS NUMERIQUES DE LA "CLASSE B" PRESCRITES DANS LE REGLEMENT SUR LE BROUILLAGE RADIOELECTRIQUE EDICTE PAR LE MINISTERE DES COMMUNICATIONS DU CANADA.

* This applies only to products distributed by YAMAHA CANADA MUSIC LTD.

Litiumbatter!
Bör endast bytas av servicepersonal.
Explosionsfara vid felaktig hantering.

VAROITUS!
Lithiumparisto, Räjähdyksvaara.
Pariston saa vaihtaa ainoastaan aian ammattimies.

ADVARSEL!
Lithiumbatter!
Eksplussionsfare. Udskiftning må kun foretages af en sagkyndig, -og som beskrevet i servicemanualen.

IMPORTANT NOTICE FOR THE UNITED KINGDOM

Connecting the Plug and Cord

WARNING: THIS APPARATUS MUST BE EARTHED

IMPORTANT: The wires in this mains lead are coloured in accordance with the following code:

GREEN-AND-YELLOW : EARTH
BLUE : NEUTRAL
BROWN : LIVE

As the colours of the wires in the mains lead of this apparatus may not correspond with the coloured markings identifying the terminals in your plug, proceed as follows:

The wire which is coloured GREEN and YELLOW must be connected to the terminal in the plug which is marked by the letter E or by the safety earth symbol or coloured GREEN and YELLOW.

The wire which is coloured BLUE must be connected to the terminal which is marked with the letter N or coloured BLACK.

The wire which is coloured BROWN must be connected to the terminal which is marked with the letter L or coloured RED.

* This applies only to products distributed by YAMAHA KEMBLE MUSIC (U.K.) LTD.

Introduction

Congratulations! You are now the proud owner of a Yamaha MM1242 Mixer. Your Yamaha mixing console is a high-quality product which combines ease of operation, functionality, and convenience and will give you superior performance in a wide range of applications. MM1242 also features the great sound for which Yamaha is famous. Please read this operation manual thoroughly in order to make the most of the mixer's many features and controls.

Features

- Twelve input channels and stereo mix output
- PFL (Pre Fader Listen) function allows you to monitor any channel input and ST L, R AUX 3, 4 output through monitor output or headphones.
- All input channels are available for both microphone level input and line-level input, making connections very easy.
- Built-in phantom power allows you to connect condenser microphones.
- Four AUX SEND connectors and four ST AUX RTN connectors allow you to connect up to four external effects units.

Contents

Precautions	1
Front Panel Controls	2
Input Channel	2
Master Section	4
Rear Panel	6
Application Example	7
Specifications	8
General Specifications	8
Input Specifications	9
Output Specifications	9
Dimensions	9
Block and Level Diagrams	10

Precautions

1. Location

Keep the unit away from locations where it is likely to be exposed to high temperatures or humidity — such as near radiators, stoves, etc. Also avoid locations which are subject to excessive dust accumulation or vibration which could cause mechanical damage and locations subject to strong electromagnetic fields, such as close to broadcast equipment.

2. Ventilation

The unit has ventilation slots on the side and bottom panels. Do not block these vents.

3. Avoid Physical Shocks

Strong physical shocks to the unit can cause damage. Handle it with care.

4. Do Not Open the Case or Attempt Repairs or Modifications Yourself

This product contains no user-serviceable parts. Refer all maintenance to qualified Yamaha service personnel. Opening the case and/or tampering with the internal circuitry voids the warranty.

5. Always power off before making connections

Always turn the power OFF before connecting or disconnecting cables. This is important to prevent damage to the unit itself as well as other connected equipment.

6. Handle Cables Carefully

Always plug and unplug cables — including the AC power cord — by gripping the connector, not the cord.

7. Clean With a Soft Dry Cloth

Never use solvents such as benzine or thinner to clean the unit. Wipe clean with a soft, dry cloth.

8. Always Use the Correct Power Supply

Make sure that the power supply voltage specified on the rear panel matches your local AC mains supply. Also make sure that the AC mains supply can deliver more than enough current to handle all equipment used in your system.

Dette apparat overholder det gældende EF-direktiv vedrørende radiostøj.

Cet appareil est conforme aux prescriptions de la directive communautaire 87/308/CEE.

Diese Geräte entsprechen der EG-Richtlinie 82/499/EWG und/oder 87/308/EWG.

This product complies with the radio frequency interference requirements of the Council Directive 82/499/EEC and/or 87/308/EEC.

Questo apparecchio è conforme al D.M.13 aprile 1989 (Direttiva CEE/87/308) sulla soppressione dei radiodisturbi.

Este producto está de acuerdo con los requisitos sobre interferencias de radio frecuencia fijados por el Consejo Directivo 87/308/CEE.

YAMAHA CORPORATION

IMPORTANT NOTICE FOR THE UNITED KINGDOM

Connecting the Plug and Cord

IMPORTANT: The wires in this mains lead are coloured in accordance with the following code:

BLUE	: NEUTRAL
BROWN	: LIVE

As the colours of the wires in the mains lead of this apparatus may not correspond with the coloured markings identifying the terminals in your plug, proceed as follows:

The wire which is coloured BLUE must be connected to the terminal which is marked with the letter N or coloured BLACK.

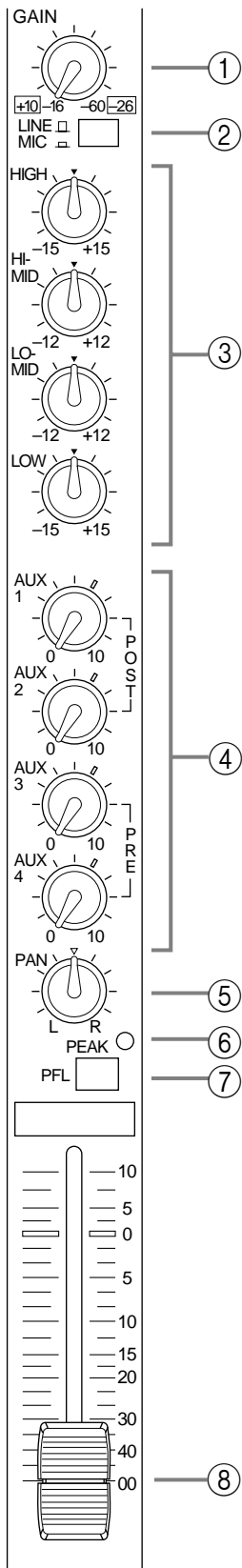
The wire which is coloured BROWN must be connected to the terminal which is marked with the letter L or coloured RED.

Making sure that neither core is connected to the earth terminal of the three pin plug.

* This applies only to products distributed by YAMAHA KEMBLE MUSIC (U.K.) LTD.

Front Panel Controls

Input Channel



① GAIN control

This control adjusts the input sensitivity of each input channel from -16dB to -60dB for microphone source through the XLR input connectors, and from $+10\text{dB}$ to -26dB for line source through the phone jack input connectors. For optimum performance, adjust this GAIN control so that the PEAK indicator LED lights occasionally.

② LINE/MIC switch

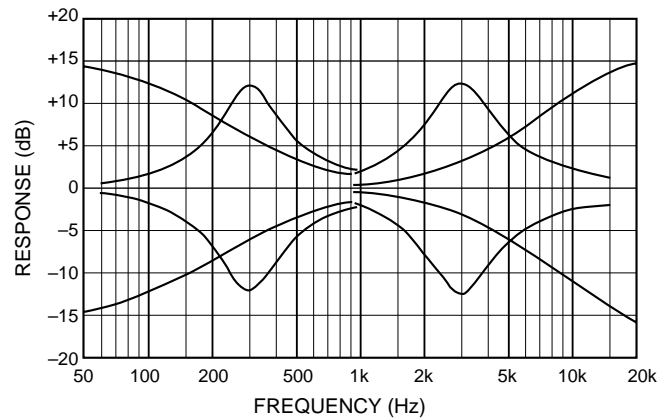
This switch toggles between MIC IN. Push this switch in (to MIC) when a microphone is connected to the MIC IN connector. Set this switch to LINE when a line source is connected to the LINE IN connector.

③ EQ

The equalizer section provided on each input channel consists of LOW, LO-MID, HI-MID and HIGH controls at the following frequencies with the maximum range of $\pm 15\text{dB}$.

HIGH	: 12kHz
HI-MID	: 3kHz
LO-MID	: 300Hz
LOW	: 80Hz

Frequency response will be flat when each control is set to the center.



④ AUX send controls

Each AUX control determines the level of the signal sent from the input channels to the correspondingly-numbered AUX mixing bus.

- AUX 1 and AUX 2 are factory pre-wired for post-fader operation, so the AUX 1 and AUX 2 signals are affected by the setting of the channel fader.
- AUX 3 and AUX 4 are factory pre-wired for pre-fader operation, so the AUX 3 and AUX 4 signals are not affected by the setting of the channel fader. Therefore, the signal can be output either to AUX 3 or AUX 4 as an auxiliary output, instead of using the stereo outputs.

⑤ **PAN control**

The PAN control determines the position in the stereo sound field at which the sound from that channel is heard, by distributing signal from each channel to STEREO L and R buses.

⑥ **PEAK indicator**

The PEAK indicator LED lights in red when the pre-EQ, post-EQ, or post-fader signal of the corresponding channel's input reaches a level 3dB below the clipping level.

⑦ **PFL switch**

Press this switch to monitor the pre-fader input channel signal through the MONITOR OUT or the PHONES connector.

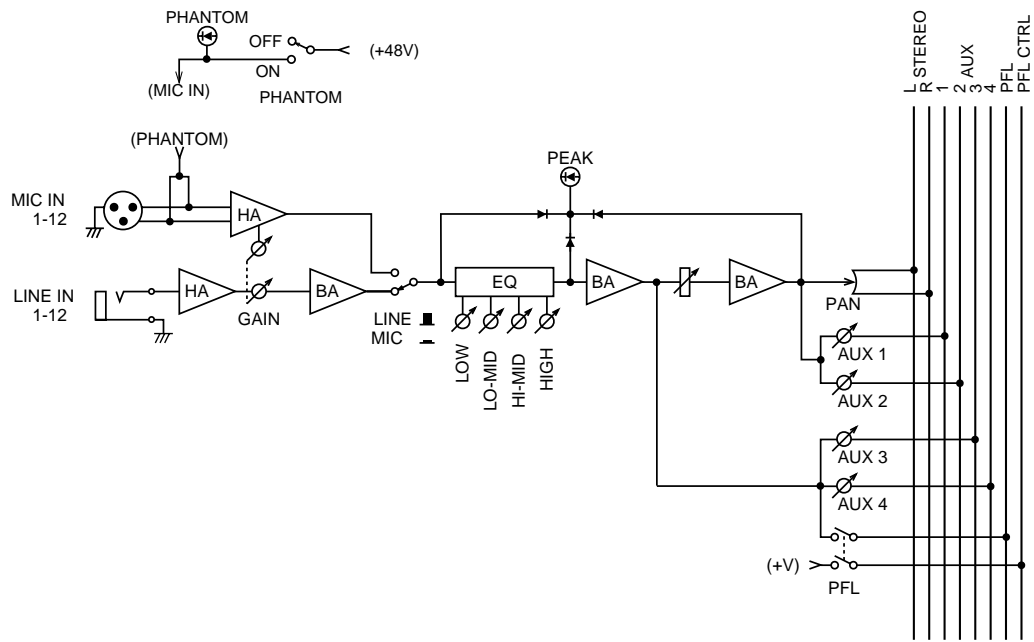
This is useful when you wish to monitor only the signal

from a particular channel, or take a countermeasure for a problem.

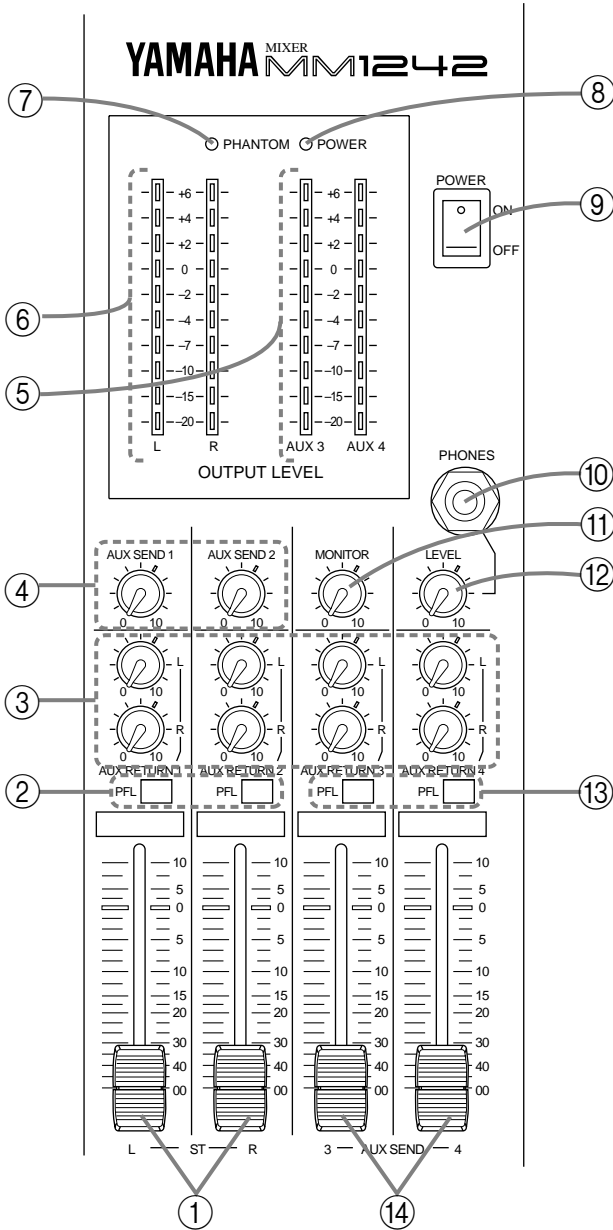
⑧ **Fader**

This is the main level control for each input channel. It determines the level of the signal sent from the corresponding input channel to the master stereo bus. The settings of the input channel faders determine the “mix” or balance of sound levels between the instruments or other sources connected to the inputs.

Lower the faders of unused channels to the bottom.



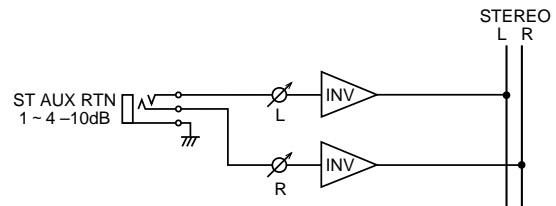
■ Master Section



① **ST faders**
The stereo master faders independently adjust the level of the left and right channel main stereo buss signals appearing at the STEREO OUT connectors. The OUTPUT LEVEL L, R meters allow you to monitor the L and R outputs.

② **ST PFL switches**
Turning this switch ON sends the pre-fader ST L and R signals to the MONITOR OUT and PHONES.

③ **AUX RETURN controls**
These controls adjust the level of the L and R signals that are received at the rear-panel ST AUX RTNs 1–4. (Use a stereo-type phone plug connector for ST AUX RTN 1–4.) After this controls, the signals are sent to the L and R stereo bus (STEREO OUT). Therefore, you can use the ST AUX RTN as auxiliary inputs, as well as effects returns.



④ **AUX SEND controls**
These adjust the overall output level appearing at AUX SEND1 and 2.

⑤ **OUTPUT LEVEL AUX 3, 4 meters**
These meters show the level of output signal appearing at the AUX SEND 3 and 4.

⑥ **OUTPUT LEVEL L, R meters**
These meters show the level of output signal appearing at the STEREO OUT connector.

⑦ **PHANTOM indicator**
The PHANTOM indicator LED lights when the Phantom power is ON.

⑧ **POWER indicator**
The POWER indicator LED lights when the power is ON.

⑨ **POWER switch**
Flip up to turn the power ON.
It is a rule that first you turn off the power to the devices (a power amplifier, in many cases) closest to the speakers before turning off the power to the console.

⑩ **PHONES jack**

Connect the headphones here.
You can monitor the following signals:

— **Signals available for monitoring** —

1. Post-EQ signal
(when the corresponding channel PFL switch is ON)
2. Pre-fader ST signal
(when the corresponding stereo L/R PFL switch is ON)
3. Pre-AUX SEND 3/4-fader signal
(when the corresponding AUX send 3/4 PFL switch is ON)

⑪ **MONITOR control**

This control adjusts the level of the signal output from the MONITOR OUT.

⑫ **PHONES LEVEL control**

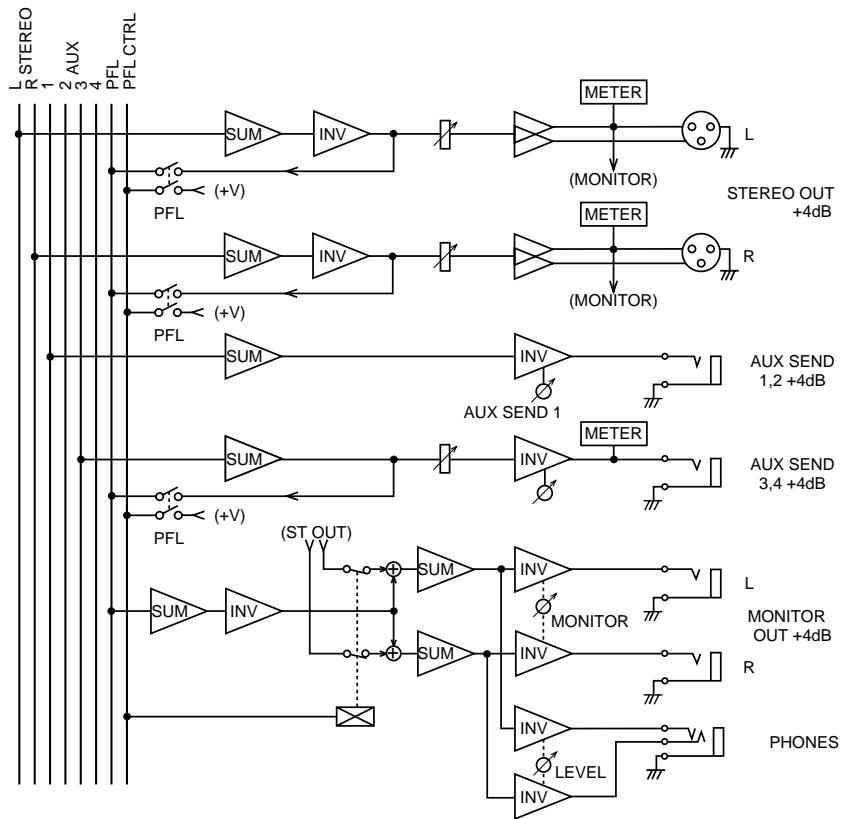
The PHONES control adjusts the level of the signal sent to the PHONES jack.

⑬ **AUX SEND 3, 4 PFL switches**

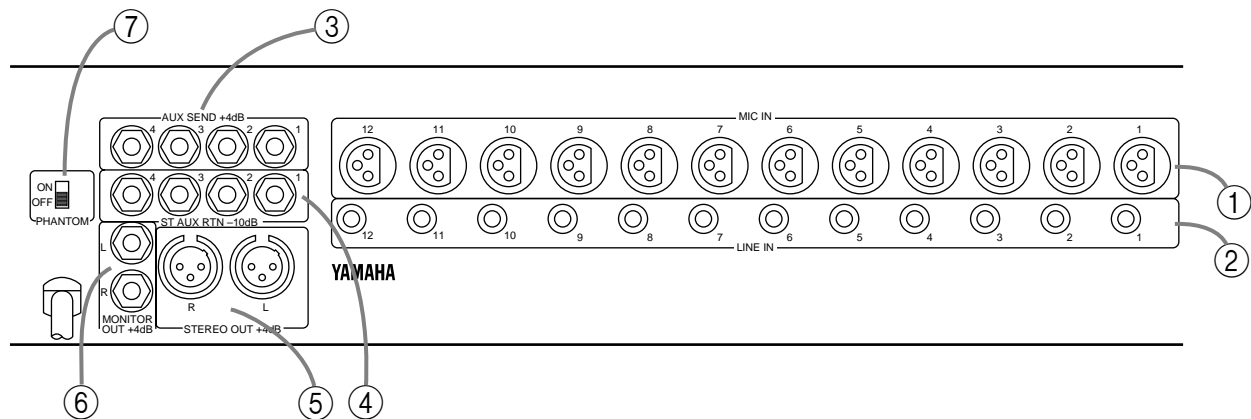
Turning this switch ON will allow you to monitor the signal output to AUX SEND 3 and 4 via the MONITOR OUT or headphones.

⑭ **AUX SEND 3, 4 faders**

These faders adjust the AUX SEND 3 and 4 output levels. You can also use these to adjust the level of an auxiliary output.



■ Rear Panel



① MIC IN connectors

These are XLR-type connectors to connect microphones. (Pin assignment - 1: GND, 2: hot, 3: cold)
Impedance range is 50Ω to 600Ω.
Turn the PHANTOM switch ON to apply +48V DC to Pin 2 and 3 of these connectors.

② LINE IN

These are unbalanced phone jacks used to connect line sources. (Impedance: 600Ω)

③ AUX send jacks

These are unbalanced phone jacks.
(T: hot, R: cold, S: GND)
Nominal output level and impedance is +4dB/600Ω.

④ ST AUX RTN jacks

These are stereo type phone jacks.
Nominal output level and impedance is -10dB/600Ω.
Usually, the output from effects units such as delay and reverb are returned to the main stereo mix via these jacks. However, you can use these as auxiliary inputs.

⑤ STEREO OUT

These are XLR type connectors used to connect a power amplifier. (Pin assignment - 1: GND, 2: hot, 3: cold)

⑥ MONITOR OUT

These are unbalanced phone jacks used to connect monitor speakers.
You can monitor the following signals:

— Signals available for monitoring —

1. Post-EQ signal
(when the corresponding channel PFL switch is ON)
2. Pre-fader ST signal
(when the corresponding stereo L/R PFL switch is ON)
3. Pre-AUX SEND 3/4-fader signal
(when the corresponding AUX send 3/4 PFL switch is ON)

⑦ PHANTOM switch

This switch is used to turn on/off all channels' phantom power simultaneously. Set this switch to ON when using condenser microphones to apply +48V DC to Pin 2 and 3 of all the MIC IN connectors 1-12.

Be sure to turn this switch OFF when the phantom power is not in use.

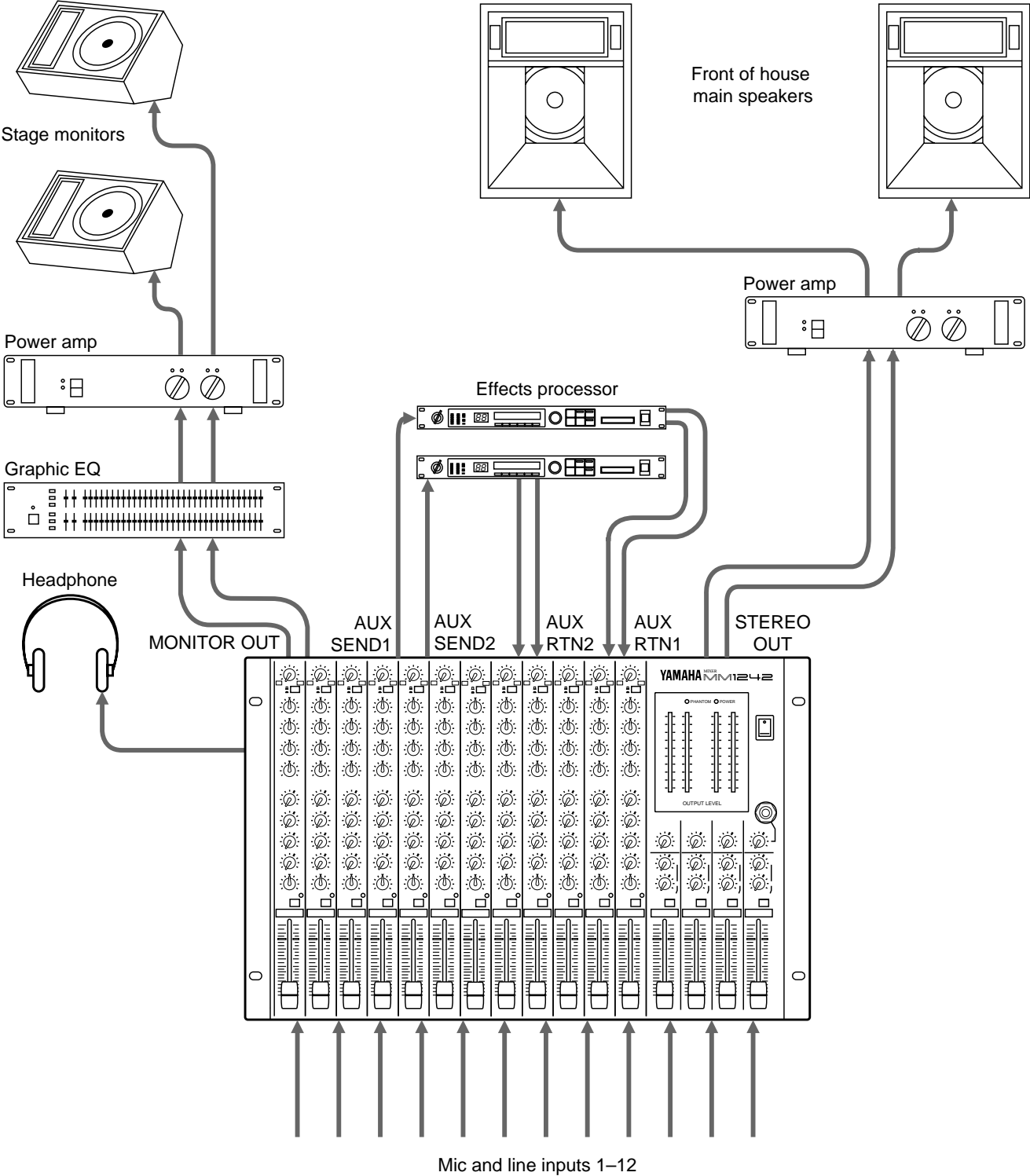
* You may connect balanced dynamic microphones or line sources when this switch is ON. However, connecting, unbalanced devices, or devices in which the center of the transformer is grounded may cause hum noise or malfunction.

The phantom power supply can provide a maximum of 40 mA of current. Check the specifications of your condenser mics, and make sure that the total current consumption is no more than 40 mA.

MICROPHONE CABLES AND MICROPHONES CONNECTION

TO PREVENT HAZARD OR DAMAGE, ENSURE THAT ONLY MICROPHONE CABLES AND MICROPHONES DESIGNED TO THE IEC268-15A STANDARD ARE CONNECTED.

Application Example



Specifications

■ General Specifications

Maximum output level	+24dB* (ST OUT L/R) @600Ω, 0,5% THD at 1kHz (Balanced) +20dB* (AUX SEND 1-4) @600Ω, 0,5% THD at 1kHz (Unbalanced)		
Total harmonic distortion	0.1% @+14dB* 20Hz-20kHz (ST OUT L/R @600Ω, AUX SEND 1-4 @600Ω)		
Frequency response	20Hz-20kHz +1dB, -2dB @+4dB* (MIC *IN=GAIN MIN) (ST OUT L/R @600Ω, AUX SEND 1-4 @600Ω)		
Hum and noise (Average, Rs=150Ω) (Measured With DIN AUDIO)	-127dB* Equivalent input noise -95dB* Residual output noise (ST OUT L/R @600Ω, AUX SEND 1-4 @600Ω)		
	-78dB*(ST OUT L/R)	Master fader: All channel fader:	nominal minimum
	-63dB*(67dB S/N)(ST OUT L/R)	Master fader: One channel fader:	nominal nominal
	-78dB*(AUX SEND 1-4)	Master level control: All channel AUX level control:	nominal minimum
	-63dB*(67dB S/N)(AUX SEND 1-4)	Master level control: One channel fader: One channel AUX control:	nominal nominal nominal
Maximum voltage gain	84dB MIC IN → ST OUT 50dB LINE IN → ST OUT 86dB MIC IN → AUX SEND1, 2 80dB MIC IN → AUX SEND3, 4 90dB MIC IN → MONITOR OUT 30dB AUX RETURN → ST OUT		
Crosstalk	-70dB adjacent input channels -60dB input to output (except between ST L and R) -55dB input to output (between ST L and R)		
Gain control (MIC IN)	44dB variable range		
Gain control (LINE IN)	36dB variable range		
Input channel equalization	HIGH ±12dB 12kHz shelving (max. ±15dB) HI-MID ±12dB 3kHz peaking LO-MID ±12dB 300Hz peaking LOW ±12dB 80Hz shelving (max. ±15dB)		
LED meters	0dB=+4dB* Output level		
Channel PEAK indicators	Red LED on each channel lights when pre-EQ, post-EQ, or post-fader signal reaches 3dB below clip level.		
Phantom power	+48V, DC		
Power requirements	US & Canadian Models: AC 120V, 60Hz General Model: AC 230V, 50Hz British Model: AC 240V, 50Hz		
Power consumption	US & Canadian Models: 45W General Model: 55W British Model: 55W		
Dimensions (W × H × D)	483 × 130.2 × 320.6 mm (19" × 5.1" × 12.6")		
Weight	8.5kg		

* 0dB=0.775Vrms.

■ Input Specifications

Input	Gain Trim	Input impedance	Nominal impedance	Input level			Connector type
				Sensitivity	Nominal level	Maximum non-clipping level	
MIC IN (1-12)	MAX	4k Ω	50-600 Ω microphone	-80dB (77.5 μ V)	-60dB (775 μ V)	-40dB (7.75mV)	XLR-3-31 type Balanced
	MIN			-36dB (12.3mV)	-16dB (123mV)	+4dB (1.23V)	
LINE IN (1-12)	MAX	10k Ω	600 Ω line	-46dB (3.88mV)	-26dB (38.8mV)	-6dB (388mV)	Phone jack Unbalanced
	MIN			-10dB (245mV)	+10dB (2.45V)	+20dB (7.75V)	
AUX RETURN (1-4)		10k Ω	600 Ω line	-26dB (38.8mV)	-10dB (245mV)	—	Stereo phone jack

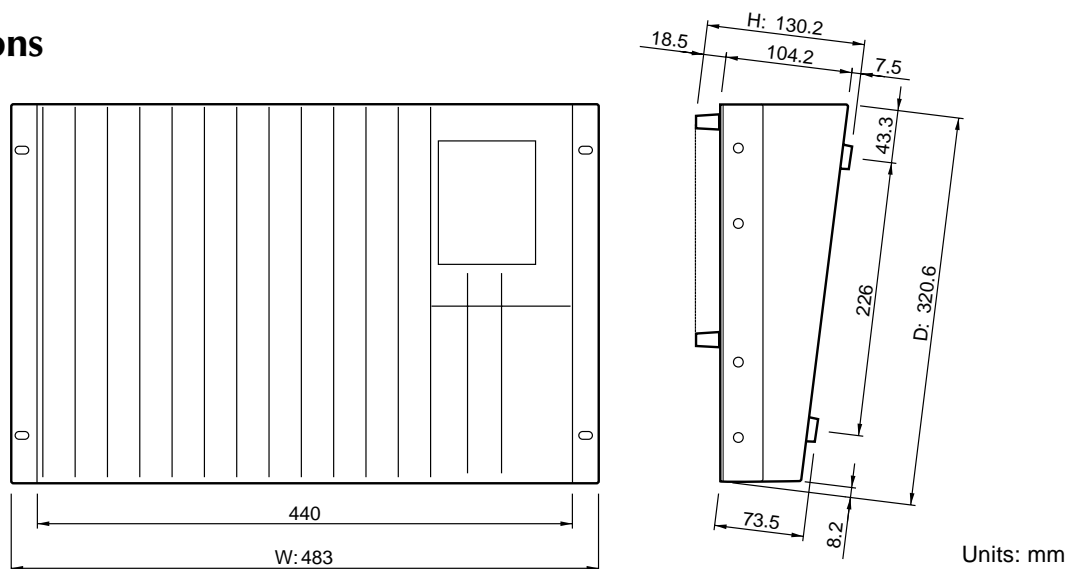
0dB=0.775V_{rms}.

■ Output Specifications

Output	Output impedance	Nominal impedance	Output level		Connector type
			Nominal level	Maximum non-clipping level	
ST OUT (L/R)	150 Ω	600 Ω Lines	+4dB (1.23V)	+24dB (12.3V)	XLR-3-32 type (Balanced)
AUX SEND (1-4)	75 Ω	600 Ω Lines	+4dB (1.23V)	+19dB (6.91V)	Phone jack (Unbalanced)
MONITOR OUT (L/R)	75 Ω	600 Ω Lines	+4dB (1.23V)	+19dB (6.91V)	Phone jack (Unbalanced)
HEAD PHONE	100 Ω	40 Ω Phones	3mW	120mW	Stereo phone jack (Unbalanced)

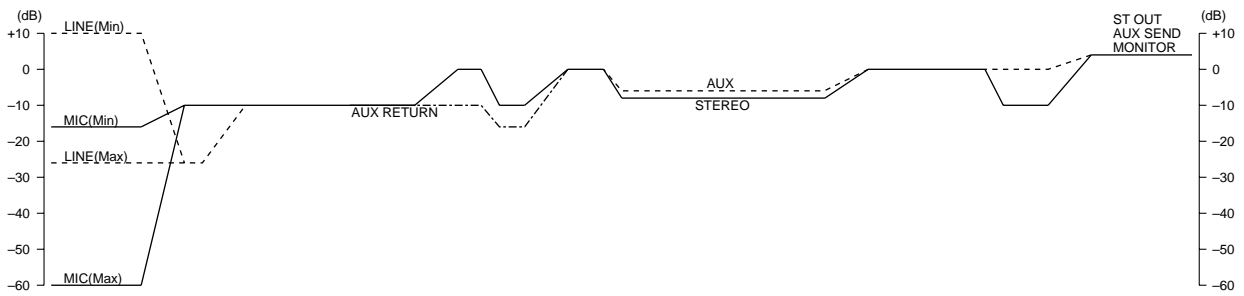
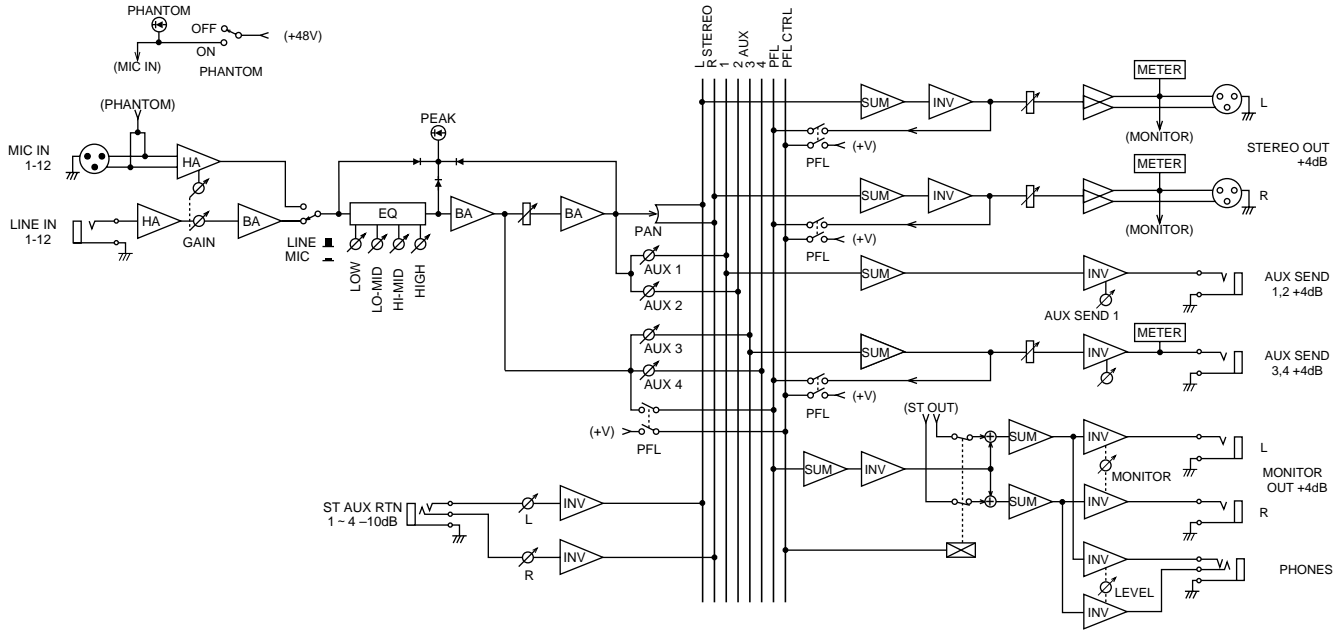
0dB=0.775V_{rms}.

■ Dimensions



Specifications and appearance subject to change without notice.

Block and Level Diagrams



MELANGEUR

MM1242

MANUEL D'INSTRUCTIONS

Introduction

Félicitations! Vous voilà maintenant le fier détenteur d'une mélangeur MM1242 de Yamaha. C'est un produit de grande qualité qui allie facilité d'emploi, fonctionnalité et convivialité. Ses performances sont exceptionnelles dans un grand nombre de domaines. Quant à sa sonorité, seule toute l'expérience de Yamaha pouvait l'obtenir. Veuillez lire ce manuel attentivement afin de pouvoir tirer le meilleur parti des nombreuses caractéristiques et fonctions de cette console de mixage.

Caractéristiques

- Douze canaux d'entrée et sortie stéréo mix
- Fonction PFL (Pre Fader Listen/écoute avant curseur): elle vous permet de contrôler n'importe quel canal d'entrée ainsi que les sorties ST L, R, AUX 3, 4 via moniteur ou casque.
- Tous les canaux d'entrée acceptent une entrée micro ou une entrée ligne ce qui facilite considérablement les connexions.
- L'alimentation fantôme vous permet de brancher des microphones à condensation.
- Quatre connecteurs AUX SEND et quatre connecteurs ST AUX RTN vous permettent de brancher jusqu'à quatre processeurs d'effets externes.

Table des matières

Précautions	1
Commandes du panneau avant	2
Canal d'entrée	2
Section Master	4
Panneau arrière	6
Exemple d'utilisation	7
Caractéristiques	8
Caractéristiques générales	8
Caractéristiques d'entrée	9
Caractéristiques de sortie	9
Dimensions	9
Schémas de connexions et de niveaux	10

Précautions

1. Emplacement

Ne placez pas l'appareil dans un endroit où il risque d'être exposé à des températures élevées ou une forte humidité (évituez la proximité de radiateurs, poêles, etc). Evitez également les endroits poussiéreux ou soumis à des vibrations qui peuvent être à l'origine de dommages mécaniques ainsi que les endroits sujets à des champs magnétiques importants, tels que la proximité de matériel de transmission.

2. Ventilation

L'appareil est pourvu de fentes d'aération sur les panneaux latéraux et inférieur. Ne bloquez jamais ces fentes.

3. Evitez tout choc

Un choc relativement important peut endommager l'appareil. Maniez-le donc avec soin.

4. N'ouvrez pas le boîtier et n'essayez pas d'effectuer des réparations vous-même

Cet appareil ne contient pas d'élément pouvant être réparé par l'utilisateur. Veuillez donc confier toute réparation à un technicien Yamaha qualifié. Toute tentative d'ouverture du boîtier et de manipulation des circuits internes se soldera par la perte du bénéfice de la garantie.

5. Coupez toujours l'alimentation avant de procéder à des branchements

N'oubliez jamais de mettre les appareils hors tension avant de brancher ou de débrancher des câbles afin de ne pas endommager l'appareil lui-même ainsi que le matériel qui y est branché.

6. Manipulez les câbles avec soin

Pour brancher et débrancher des câbles (y compris le câble d'alimentation), prenez-le toujours par la prise et non par le câble.

7. Nettoyez avec un chiffon doux et sec

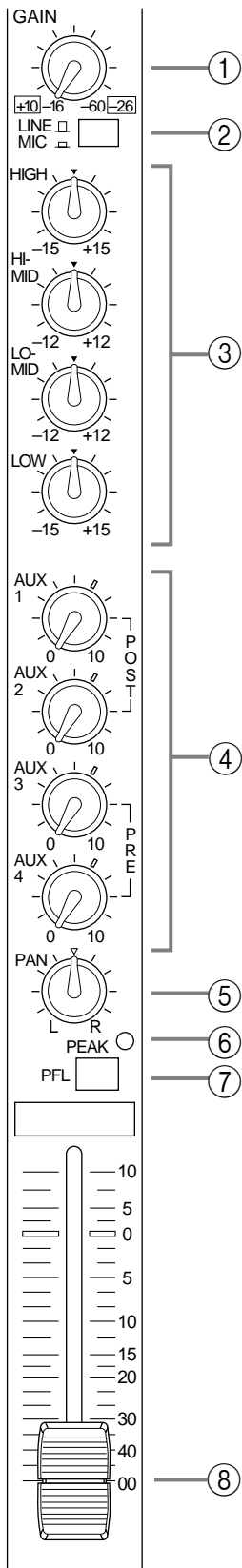
N'utilisez jamais de solvants, tels que du benzène ou un diluant pour nettoyer l'appareil. Prenez les poussières avec un chiffon doux et sec.

8. Utilisez toujours une source d'alimentation adéquate

Assurez-vous que la tension spécifiée sur l'arrière de l'appareil correspond bien à celle de votre secteur et que les prises utilisées peuvent assurer le courant nécessaire pour faire fonctionner tout votre système.

Commandes du panneau avant

■ Canal d'entrée



① Commande GAIN

Cette commande permet de régler la sensibilité d'entrée de chaque canal d'entrée sur une plage allant de -16dB à -60dB pour une source microphone passant via des fiches XLR et de $+10\text{dB}$ à -26dB pour une source ligne passant via des fiches casques. Pour obtenir une performance optimale, réglez cette commande GAIN de telle sorte que le témoin de l'indicateur PEAK s'allume occasionnellement.

② Commutateur LINE/MIC

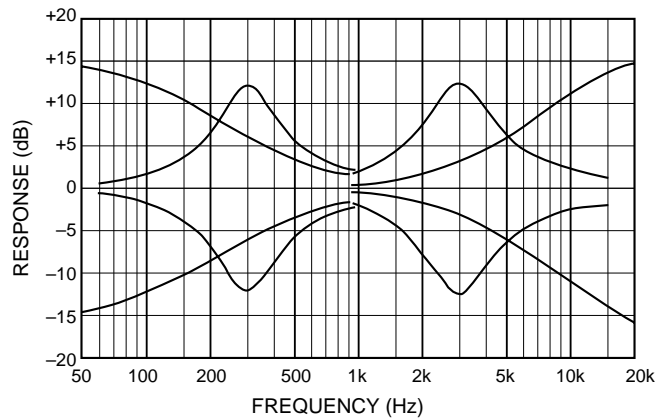
Enfoncez ce bouton (MIC) lorsqu'un microphone est branché au connecteur MIC IN. Choisissez LINE si vous branchez une source ligne au connecteur LINE IN.

③ EQ

La section égaliseur disponible pour chaque canal d'entrée contient des commandes LOW, LO-MID, HI-MID et HIGH pour les fréquences suivantes avec une plage maximale de $\pm 15\text{dB}$.

HIGH	: 12kHz
HI-MID	: 3kHz
LO-MID	: 300Hz
LOW	: 80Hz

La réponse en fréquence sera plate si vous réglez chaque commande au centre.



④ Commandes des allers AUX

Chaque commande AUX détermine le niveau du signal envoyé des canaux d'entrée au bus de mixage AUX au numéro correspondant.

- AUX1 et AUX2 ont un circuit permettant une utilisation après curseur; leurs signaux sont donc affectés par le réglage du curseur du canal.
- AUX3 et AUX4 sont conçus pour une opération avant curseur; leurs signaux ne sont donc pas touchés par le réglage du curseur du canal. AUX3 ou AUX4 peuvent donc servir de sortie auxiliaire au lieu des sorties stéréo.

⑤ **Commande PAN**

La commande PAN détermine la position du son de ce canal dans l'image stéréo en distribuant le signal de chaque canal entre les bus STEREO L et R.

⑥ **Témoin PEAK**

Le témoin de l'indicateur PEAK (crête) s'allume en rouge lorsque le niveau du signal avant égalisation, après égalisation ou après curseur du canal correspondant atteint 3dB sous le niveau de saturation.

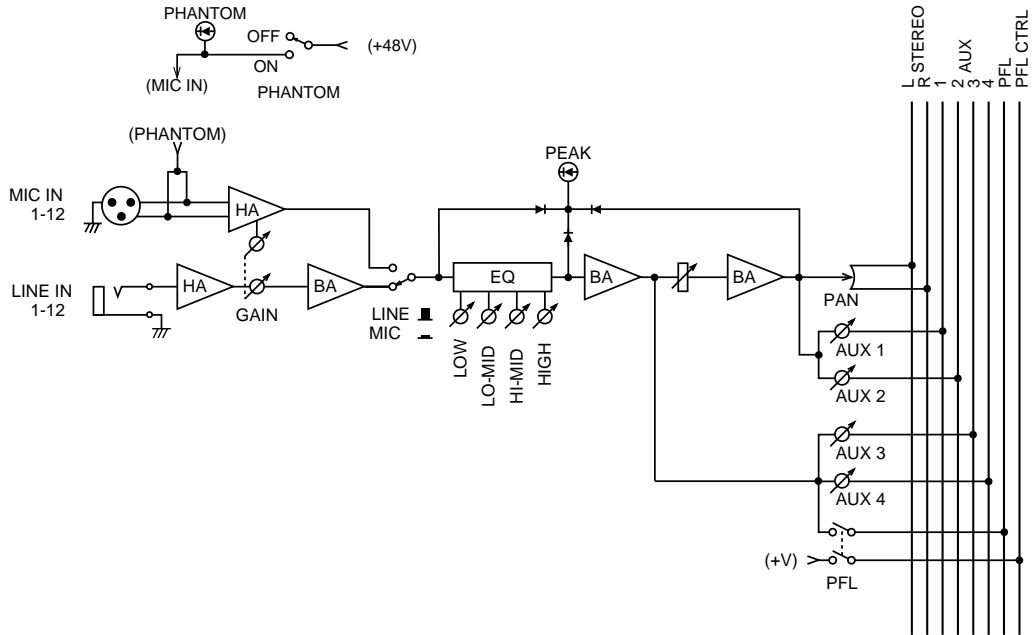
⑦ **Commutateur PFL**

Appuyez sur ce commutateur pour écouter le signal du canal d'entrée avant curseur via la borne MONITOR OUT ou PHONES. Cela vous permet de contrôler le signal d'un canal donné ou de prendre une mesure pour résoudre un problème particulier.

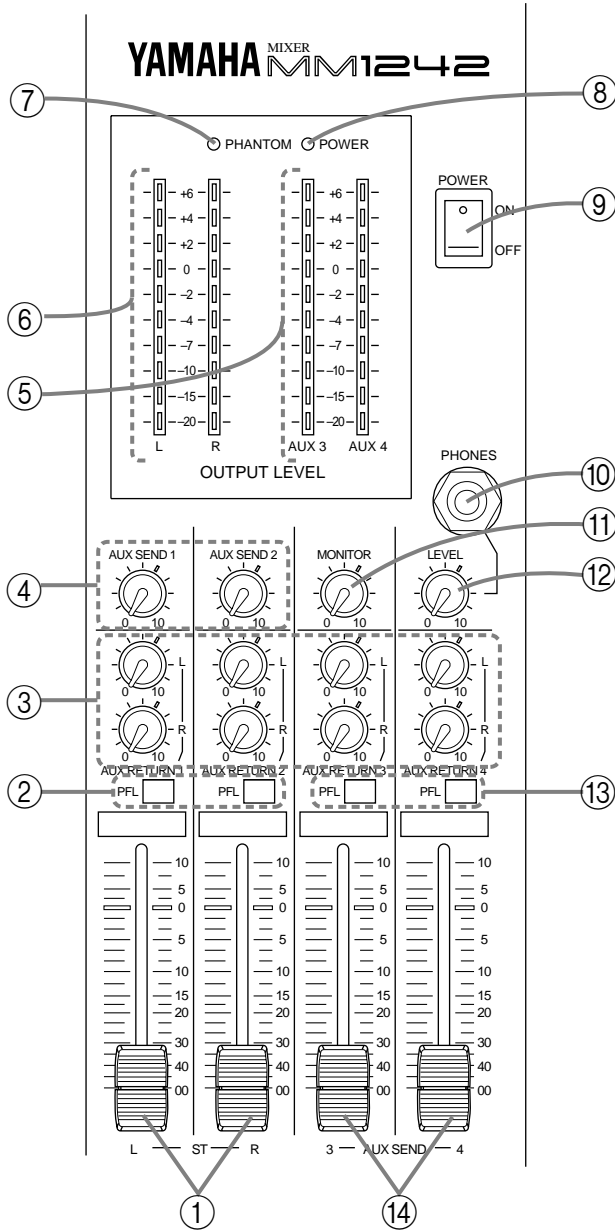
⑧ **Curseur**

C'est la commande de niveau principale pour chaque canal d'entrée. Elle détermine le niveau du signal envoyé du canal d'entrée correspondant vers le bus stéréo. Les réglages des curseurs des canaux d'entrée déterminent le mix ou la balance des niveaux entre les instruments ou autres sources branchées aux entrées.

Baissez les curseurs des canaux inutilisés au maximum.



■ Section Master



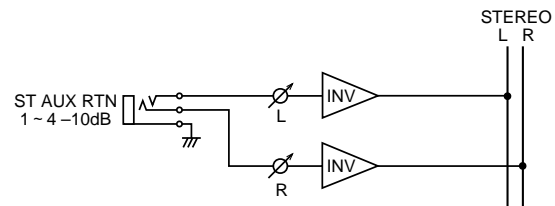
① **curseurs ST**
Les curseurs stéréo master règlent indépendamment le niveau des signaux du canal droit et gauche apparaissant aux bornes STEREO OUT.

Les indicateurs OUTPUT LEVEL L, R vous permettent de contrôler le niveau des sorties gauche et droite.

② **Commutateurs ST PFL**
Si vous enclenchez ce commutateur, vous envoyez les signaux stéréo gauche et droit avant curseur aux sorties MONITOR OUT et PHONES.

③ **Commandes AUX RETURN**
Ces commandes règlent le niveau des signaux gauche et droit reçus via les retours ST AUX RTN 1~4 du panneau arrière. (Utilisez une fiche stéréo pour les bornes ST AUX RTN 1~4).

Après ces commandes, les signaux sont envoyés au bus stéréo gauche et droit (STEREO OUT). Si vous n'utilisez que deux effets, vous pouvez vous servir des retours comme canaux d'entrée supplémentaires.



④ **Commandes AUX SEND**
Ces commandes déterminent le niveau de sortie du bus AUX SEND 1 et 2.

⑤ **Indicateurs OUTPUT LEVEL AUX 3, 4**
Ces indicateurs donnent le niveau du signal sortant par les bus AUX SEND 3 et 4.

⑥ **Indicateurs OUTPUT LEVEL L/R**
Ces indicateurs donnent le niveau du signal sortant par les bus STEREO OUT.

⑦ **Témoin PHANTOM**
Ce témoin s'allume lorsque vous avez recours à l'alimentation fantôme.

⑧ **Témoin POWER**
Ce témoin s'allume lorsque le MM1242 est sous tension.

⑨ **Commutateur POWER**
Enfonchez ce témoin du côté ON pour mettre l'appareil sous tension.

Avant de mettre le MM1242 hors tension, éteignez d'abord les appareils situés les plus près des haut-parleurs dans la chaîne du signal (il s'agit en général d'un amplificateur).

⑩ **Borne PHONES**

Vous pouvez y brancher un casque.
Cela vous permet de contrôler les signaux suivants:

— **Signaux pouvant être contrôlés** —

- 1 Signal après EQ
(lorsque le commutateur PFL du canal correspondant est enfoncé.)
- 2 Signal ST avant curseur
(vous devez pour cela enfoncer un voire les deux commutateurs PFL du bus stéréo.)
- 3 Signal avant curseur AUX SEND 3/4
(vous devez pour cela enfoncer un voire les deux commutateurs PFL des bus AUX SEND 3/4.)

⑪ **Commande MONITOR**

Cette commande règle le niveau du signal sortant de MONITOR OUT.

⑫ **Commande PHONES LEVEL**

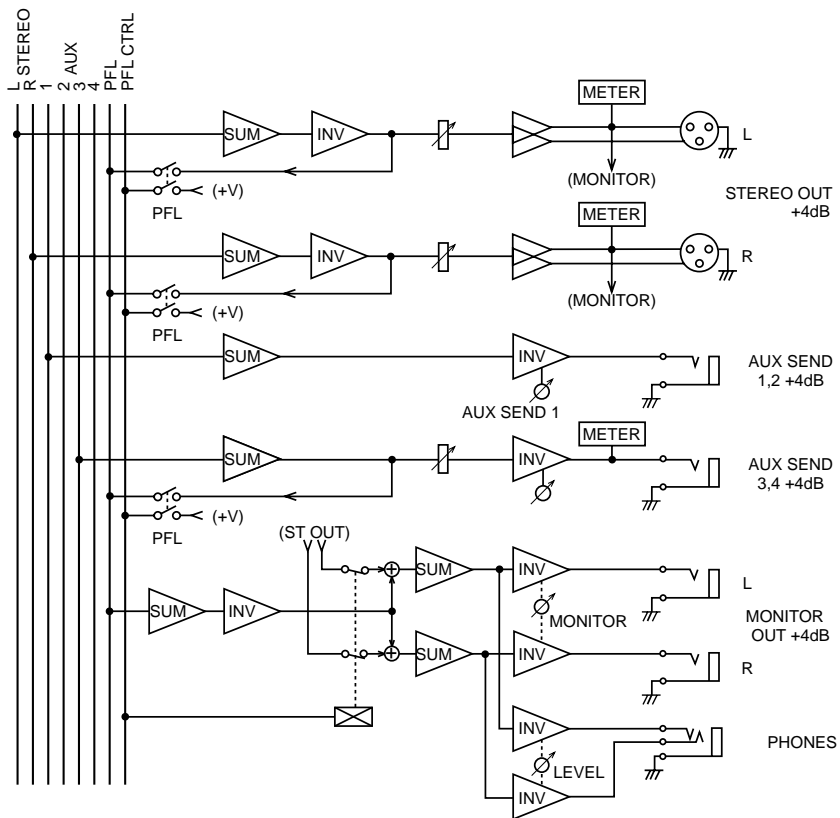
Cette commande détermine le volume du signal envoyé au casque par la borne PHONES.

⑬ **Commutateur PFL AUX SEND 3/4**

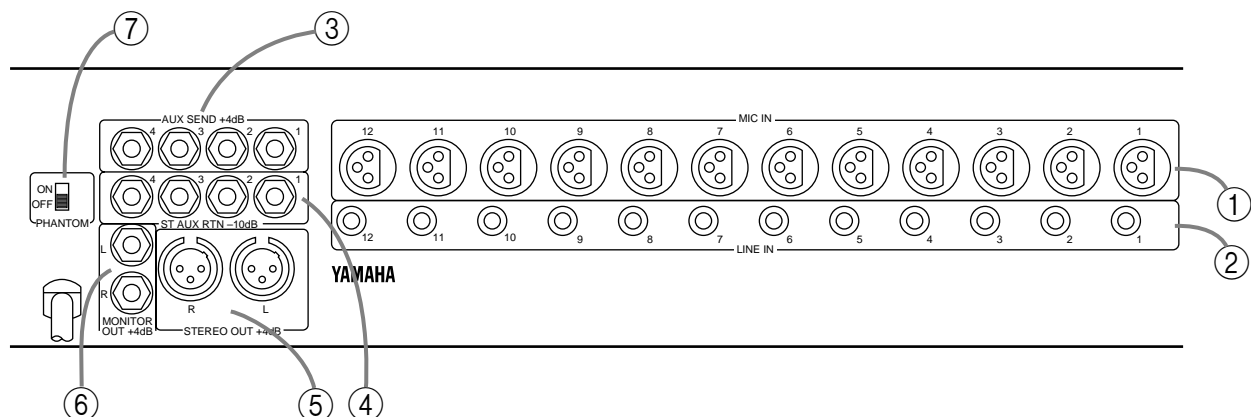
Lorsque vous enfonchez ce commutateur, le signal des bus AUX SEND 3 et 4 est envoyé aux bornes PHONES et MONITOR OUT.

⑭ **Curseurs AUX SEND 3/4**

Ces curseurs vous permettent de régler le niveau de sortie de AUX SEND 3 et 4. Cela présente l'avantage que vous disposez de curseurs lorsque vous utilisez ces bus comme sorties supplémentaires.



■ Panneau arrière



① Connecteurs MIC IN

Ces bornes XLR vous permettent de brancher des microphones. (Assignation des broches: 1: masse, 2: chaud, 3: froid). La plage d'impédance va de 50Ω à 600Ω. Activez le commutateur PHANTOM pour envoyer 48V aux broches 2 et 3 des ces connecteurs.

② LINE IN

Il s'agit de bornes asymétriques pouvant recevoir des signaux de niveau ligne (Impédance: 600Ω).

③ Bornes AUX SEND

Il s'agit également de bornes asymétriques (Pointe=signal, gaine=masse). Le niveau de sortie nominal et l'impédance de ces bornes sont de +4dB/600Ω.

④ Bornes ST AUX RTN

Notez qu'il s'agit ici de bornes stéréo. Le niveau de sortie nominal et l'impédance de ces bornes sont de -10dB/600Ω. En règle générale, vous y brancherez les entrées des effets (Delay, Hall, etc.) afin d'envoyer leur signal au bus stéréo. Vous pouvez néanmoins également utiliser ces bornes comme entrées supplémentaires.

⑤ Bornes STEREO OUT

Ces sorties stéréo sont de type XLR. Vous devez les brancher aux entrées de l'amplificateur. (Assignation des broches: 1=masse, 2=chaud, 3=froid).

CONNEXIONS DES MICROPHONES ET DE LEURS CÂBLES

POUR ÉVITER TOUT ENDOMMAGEMENT, S'ASSURER DE BRANCHER UNIQUEMENT DES MICROPHONES ET DES CÂBLES DE MICROPHONES CONCUS SELON LA NORME IEC268-15A.

⑥ Bornes MONITOR OUT

Ces bornes asymétriques vous permettent de brancher l'amplificateur du retour de scène. Vous pouvez y écouter les signaux suivants:

— Signaux pouvant être contrôlés —

1. Signal après EQ
(lorsque le commutateur PFL du canal correspondant est enfoncé.)
2. Signal ST avant curseur
(vous devez pour cela enfoncer un voire les deux commutateurs PFL du bus stéréo.)
3. Signal avant curseur AUX SEND 3/4
(vous devez pour cela enfoncer un voire les deux commutateurs PFL des bus AUX SEND 3/4.)

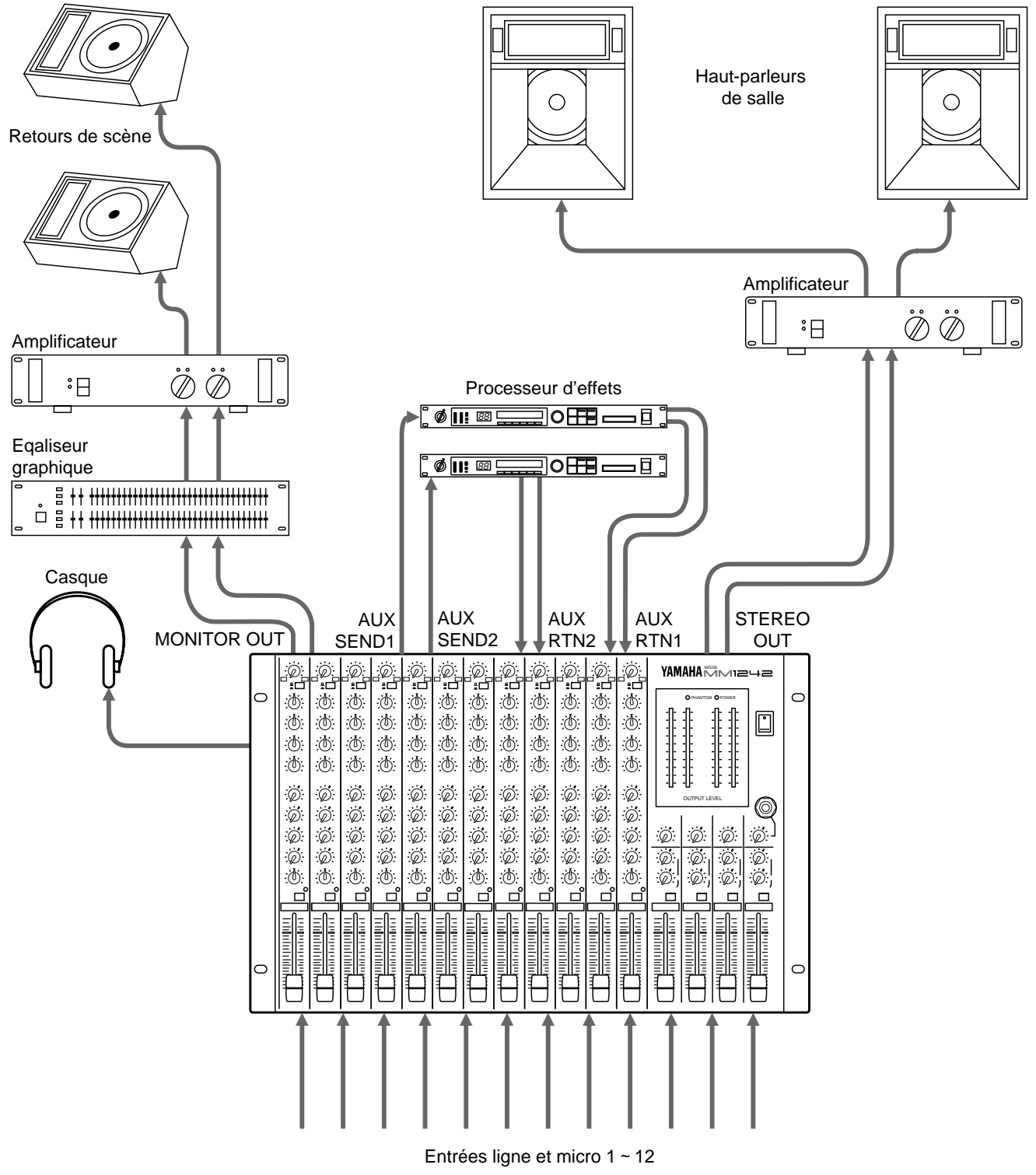
⑦ Commutateur PHANTOM

Ce commutateur vous permet de couper ou d'allumer l'alimentation fantôme de tous les canaux simultanément. Choisissez la position ON si vous avez besoin d'alimentation fantôme. Dans ce cas, une tension de +48V sera envoyée aux broches 2 et 3 des bornes MIC IN 1~12. Choisissez la position OFF si vous n'avez pas besoin d'alimentation fantôme.

* Si vous choisissez la position ON, vous pouvez brancher des microphones dynamiques ou amener des signaux de niveau ligne aux canaux d'entrée. Cependant, vous risquez un bruit de fond ou un mauvais fonctionnement si vous branchez des appareils asymétriques ou des appareils dont le milieu du transformateur est mis à la masse.

L'alimentation fantôme peut fournir un courant de 40 mA maximum. Vérifier les spécifications des microphones à condensateur et s'assurer que la consommation totale de courant ne dépasse pas 40 mA.

Exemple d'utilisation



Caractéristiques

■ Caractéristiques générales

Niveau de sortie maximal	+24dB* (ST OUT L/R) @600Ω, 0,5% distors., à 1kHz (symétrique) +20dB* (AUX SEND 1~4) @600Ω, 0,5% distors., à 1kHz (asymétrique)		
Distorsion	0,1% @+14dB* 20Hz~20kHz (ST OUT L/R @600Ω, AUX SEND 1~4 @600Ω)		
Réponse en fréquences	20Hz~20kHz +1dB, -2dB @+4dB* (MIC *IN=GAIN MIN) (ST OUT L/R @600Ω, AUX SEND 1~4 @600Ω)		
Bruit (Moyenne, Rs= 150Ω) (Mesuré avec DIN AUDIO)	-127dB* Bruit d'entrée équivalent -95dB* Bruit de sortie résiduel (ST OUT L/R @600Ω, AUX SEND 1~4 @600Ω)		
	-78dB*(ST OUT L/R)	Curseur Master:	Niveau nominal
		Tous les curseurs de canal:	Minimum
	-63dB*(67dB S/B.)(ST OUT L/R)	Curseur Master:	Niveau nominal
		Un curseur de canal:	Niveau nominal
	-78dB*(AUX SEND 1~4)	Commande de niveau Master:	Niveau nominal
		Toutes les commandes AUX:	Minimum
	-63dB*(67dB S/B.)(AUX SEND 1~4)	Commande de niveau Master:	Niveau nominal
		Un curseur de canal:	Niveau nominal
		Une commande de canal AUX:	Niveau nominal
Gain maximum	84dB MIC IN → ST OUT 50dB LINE IN → ST OUT 86dB MIC IN → AUX SEND1, 2 80dB MIC IN → AUX SEND3, 4 90dB MIC IN → MONITOR OUT 30dB AUX RTN → ST OUT		
Séparation des canaux	-70dB pour des canaux adjacents -60dB Entrée à sortie (sauf entre ST L et R) -55dB Entrée à sortie (entre ST L et R)		
Commande GAIN (MIC IN)	44dB Plage variable		
Commande GAIN (LINE IN)	36dB Plage variable		
Egalisation des canaux d'entrée	HIGH ±12dB 12kHz plateau (max. ±15dB) HI-MID ±12dB 3kHz crête LO-MID ±12dB 300Hz crête LOW ±12dB 80Hz plateau (max. ±15dB)		
Indicateurs	0dB=+4dB* Niveau de sortie		
Témoins PEAK des canaux	Le témoin rouge de chaque canal s'allume lorsqu'un signal pré EQ, post EQ ou post curseur atteint 3dB avant le niveau de saturation.		
Alimentation fantôme	+48V courant continu		
Alimentation	Modèles USA & canadiens: 120V, 60Hz Modèle général: 230V, 50Hz Modèle britannique: 240V, 50Hz		
Consommation	Modèles USA & canadiens: 45W Modèle général: 55W Modèle britannique: 55W		
Dimensions (W × H × D)	483 × 130,2 × 320,6 mm		
Poids	8,5kg		

*0dB=0,775 Vrms

■ Caractéristiques d'entrée

Entrée	Gain Trim	Impédance d'entrée	Impédance nominale	Niveau d'entrée			Type de connecteur
				Sensibilité	Niveau nominal	Niveau maximum avant saturation	
MIC IN (1~12)	MAX	4kΩ	50~600Ω microphone	-80dB (77.5μV)	-60dB (775μV)	-40dB (7.75mV)	XLR-3-31 type Symétrique
	MIN			-36dB (12.3mV)	-16dB (123mV)	+4dB (1.23V)	
LINE IN (1~12)	MAX	10kΩ	600Ω line	-46dB (3.88mV)	-26dB (38.8mV)	-6dB (388mV)	Fiche Asymétrique
	MIN			-10dB (245mV)	+10dB (2.45V)	+20dB (7.75V)	
AUX RETURN (1~4)		10kΩ	600Ω line	-26dB (38.8mV)	-10dB (245mV)	—	Fiche stéréo

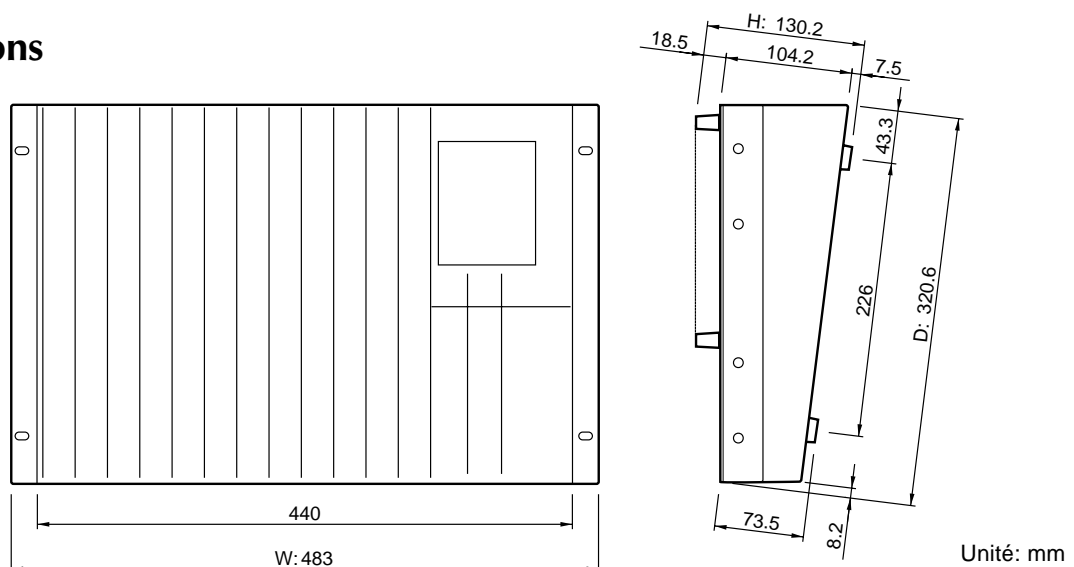
0db=0,775 Vrms

■ Caractéristiques de sortie

Sortie	Impédance de sortie	Impédance nominale	Niveau de sortie		Type de connecteur
			Niveau nominal	Niveau maximum avant saturation	
ST OUT (L/R)	150Ω	600Ω Lines	+4dB (1.23V)	+24dB (12.3V)	XLR-3-32 type (Symétrique)
AUX SEND (1~4)	75Ω	600Ω Lines	+4dB (1.23V)	+19dB (6.91V)	Fiche (Asymétrique)
MONITOR OUT (L/R)	75Ω	600Ω Lines	+4dB (1.23V)	+19dB (6.91V)	Fiche (Asymétrique)
HEAD PHONE	100Ω	40Ω Phones	3mW	120mW	Fiche stéréo (Asymétrique)

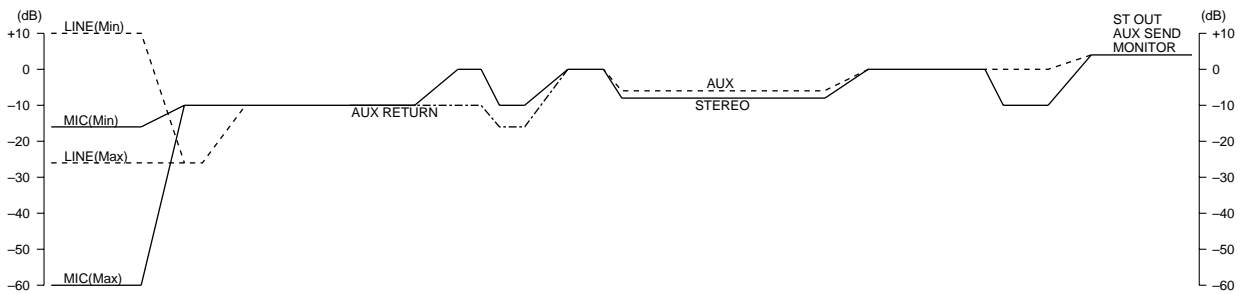
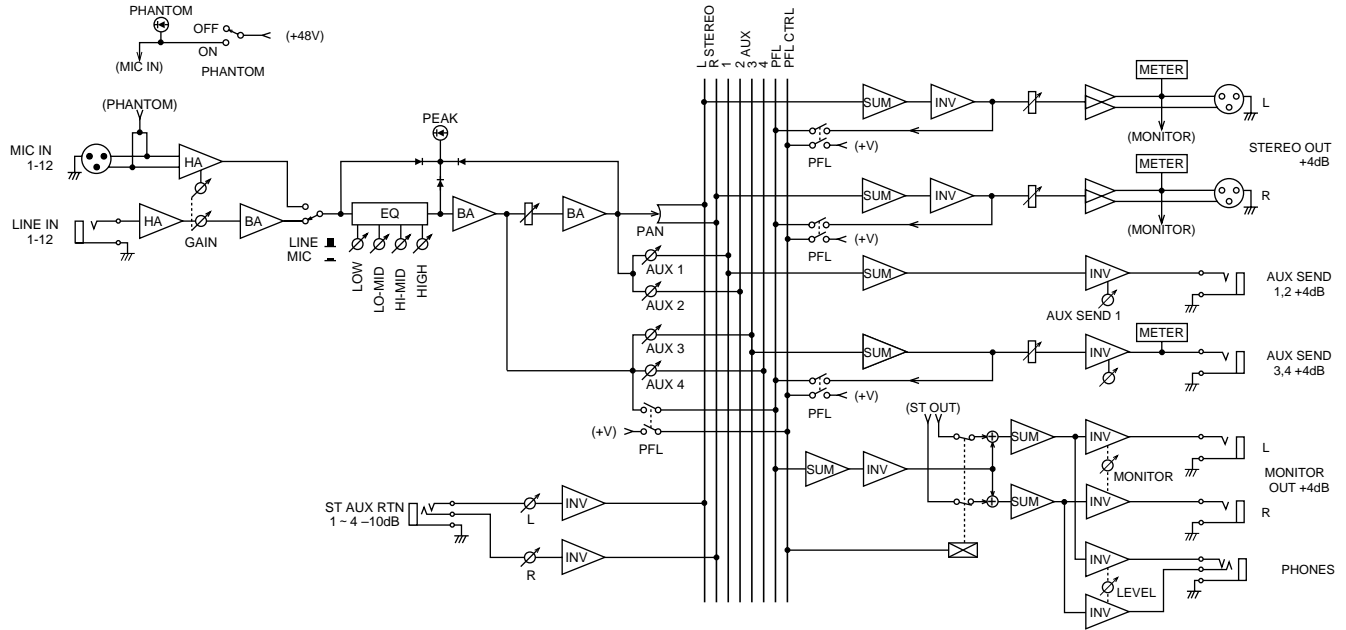
0db=0,775 Vrms

■ Dimensions



Ces caractéristiques ainsi que l'apparence de l'appareil peuvent être modifiés sans avis préalable.

■ Schémas de connexions et de niveaux



MISCHPULTE

MM1242

BEDIENUNGSANLEITUNG

Deutsch

Bescheinigung des importeurs

Hiermit wird bescheinigt, daß der / die / das

MIXER, Typ: MM1242

(Gerät, Typ, Bezeichnung)

in Übereinstimmung mit den Bestimmungen der

82/499/EWG

(EG-Richtlinie)

funktentstört ist.

Der Deutschen Bundespost wurde das Inverkehrbringen dieses Gerätes angezeigt und die Berechtigung zur Überprüfung der Serie auf Einhaltung der Bestimmungen eingeräumt.

YAMAHA Europa GmbH

Name des Importeurs

Herzlichen Glückwunsch und vielen Dank, daß Sie sich für ein MM1242 Mischpult von Yamaha entschieden haben. Ihr neues Mischpult ist ein hochwertiges Arbeitsinstrument und außerdem benutzerfreundlich, vielseitig und angenehm im Einsatz, so daß Sie es für ganz unterschiedliche Aufgaben verwenden können. Außerdem bietet das MM1242 natürlich die Klangqualität, die Yamaha inzwischen berühmt gemacht hat. Bitte lesen Sie sich diese Bedienungsanleitung vor dem Einsatz durch, damit Sie alle Features kennenlernen.

Wichtigste Merkmale

- Zwölf Eingangskanäle und eine Stereo-Ausgangssumme
- PFL (Pre-Fader Kontrollfunktion), mit der Sie das Eingangssignal jedes beliebigen Kanals (Eingangskanäle, ST L, R sowie AUX 3 und 4) abhören können. Das Signal des betreffenden Kanals wird dann an MONITOR OUT und PHONES angelegt.
- Alle Eingangskanäle eignen sich sowohl für Mikrofone als auch Line-Pegelquellen, so daß Sie sich das Pult ganz nach Wunsch einteilen können.
- Dank der vorhandenen Phantomspeisung kann man auch Kondensatormikrofone an das MM1242 anschließen.
- Vier AUX SEND-Anschlüsse und vier ST AUX RTN-Buchsen, so daß man bis zu vier Stereo-Effektgeräte verwenden kann.

Inhaltsverzeichnis

Vorsichtsmaßnahmen	1
Bedienelemente	2
Eingangskanalzüge	2
Master-Sektion	4
Rückseite	6
Anwendungsbeispiel	7
Spezifikationen	8
Allgemeine Spezifikationen	8
Eingangsspezifikationen	9
Ausgangsspezifikationen	9
Abmessungen	9
Block- und Pegelregelungsschaltbild	10

Vorsichtsmaßnahmen

1. **Aufstellung**

Stellen Sie das Pult niemals an einen extrem warme oder feuchten Ort – also niemals in die Nähe eines Heizkörpers, Ofens usw. Meiden Sie außerdem staubige Orte sowie Orte, an denen das Pult starken Vibrationen ausgesetzt ist, die zu mechanischen Schäden führen könnten. Stellen Sie das Pult niemals an Orte, die starken elektromagnetischen Strahlungen ausgesetzt sind, wie z.B. Sendeparaten.

2. **Lüftung**

Dieses Pult ist an den Seiten sowie an der Unterseite mit Lüftungsschlitzen ausgerüstet, die niemals abgedeckt werden dürfen.

3. **Umsichtig behandeln**

Lassen Sie das Pult niemals fallen und behandeln Sie die Bedienelemente mit der gebührenden Umsicht.

4. **Öffnen Sie niemals das Gehäuse und versuchen Sie erst recht nicht, das MM1242 selbst zu reparieren**

Dieses Pult enthält keinerlei Teile, die vom Anwender selbst gewartet werden dürfen. Überlassen Sie alle Wartungsarbeiten dem qualifizierten Yamaha-Kundendienst. Bitte bedenken Sie, daß beim Öffnen des Gehäuses automatisch der Garantieanspruch erlischt.

5. **Schalten Sie das Pult aus, bevor Sie die Anschlüsse vornehmen oder ändern**

Schalten Sie das MM1242 immer AUS, bevor Sie Kabel anschließen oder abtrennen. Das ist sehr wichtig, damit weder das Pult, noch die daran angeschlossenen Geräte beschädigt werden.

6. **Behandeln Sie die Kabel mit der gebotenen Umsicht**

Daß man Kabelanschlüsse nur herstellen bzw. lösen darf, indem man an dem Stecker statt an der Schnur zieht (was auch für das Netzkabel gilt), wissen Sie bestimmt bereits.

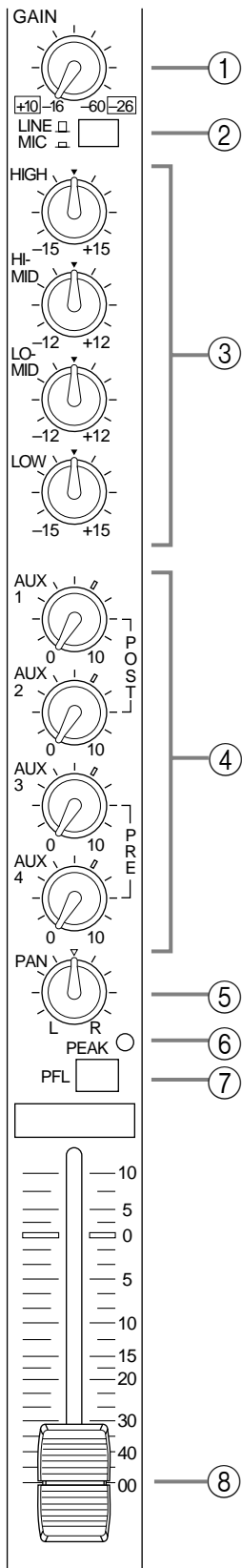
7. **Mit einem trockenen weichen Tuch abwischen**

Verwenden Sie niemals Lösungsmittel oder Waschbenzin zum Reinigen des Pults. Wischen Sie es ausschließlich mit einem trockenen weichen Tuch ab.

8. **Achten Sie auf die richtige Netzspannung**

Schauen Sie vor der Inbetriebnahme jeweils nach, ob die Netzspannung, die Sie an das MM1242 anlegen, den Angaben auf dem rückseitigen Typenschild entspricht. Außerdem muß der verwendete Stromkreis genügend Strom liefern, um alle verwendeten Geräte zu speisen. Nach Möglichkeit sollte sogar noch eine Reserve vorhanden sein.

■ Eingangskanalzüge



① GAIN-Regler

Mit diesem Regler können Sie die Eingangsempfindlichkeit der Kanalzüge einstellen. Der Einstellungsbereich beträgt $-16\text{dB} \sim -60\text{dB}$ für Mikrofonquellen mit XLR-Anschlüssen bzw. $+10\text{dB} \sim -26\text{dB}$ für Line-Signalquellen mit Klinkensteckern. Den besten Fremdspannungsabstand erzielt man, indem man den GAIN-Regler so einstellt, daß die PEAK-Diode bei Pegelspitzen kurz aufblinkt.

② LINE/MIC-Taster

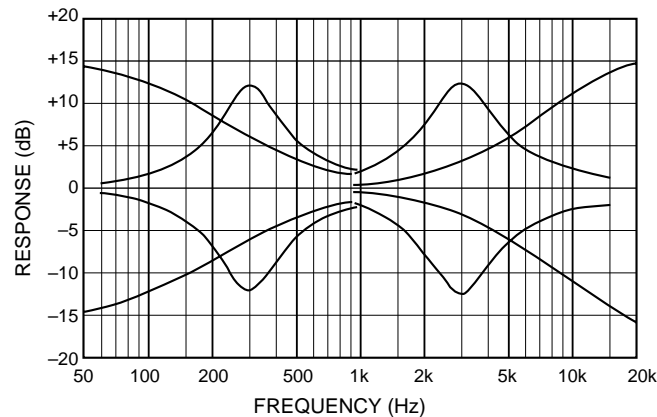
Mit diesem Taster wählen Sie die Signalquelle (MIC= Mikrofon oder LINE) an. Drücken Sie ihn (um MIC anzuwählen), wenn Sie ein Mikrofon an die MIC IN-Buchse des betreffenden Kanalzuges angeschlossen haben. Wählen Sie jedoch die LINE-Position, wenn Sie eine Signalquelle an die LINE IN-Buchse angeschlossen haben.

③ Entzerrung

Die Entzerrung der Eingangskanäle besteht aus vier Elementen, nämlich LOW (Baß), LO-MID (tiefe Mitten), HI-MID (hohe Mitten) und HIGH (Höhen). Die Anhebung/Absenkung dieser Frequenzbänder beträgt jeweils $\pm 15\text{dB}$.

HIGH	: 12kHz
HI-MID	: 3kHz
LO-MID	: 300Hz
LOW	: 80Hz

Wenn sich ein Regler in der Mitte (auf dem Punkt) befindet, wird das betreffende Frequenzband weder angehoben noch abgesenkt.



④ AUX-Regler

Mit den AUX-Reglern bestimmen Sie jeweils den Pegel des Kanalsignals, das an die betreffende AUX-Summe angelegt wird.

- AUX1 und AUX2 befinden sich ab Werk hinter den Schieberegler, was also bedeutet, daß sich der AUX1- und AUX2-Pegel der Kanalzüge auch nach dem mit dem Schieberegler eingestellten Pegel richtet.
- AUX3 und AUX4 befinden sich ab Werk vor den Schieberegler, so daß der AUX3- und AUX4-Pegel eines Kanalzuges ausschließlich mit dem betreffenden AUX-Regler eingestellt werden kann. Daher könnten Sie AUX3 und AUX4 auch als zusätzliche Ausgänge verwenden (für die Bühnenmonitore usw.).

⑤ **PAN-Regler**

Mit dem PAN-Regler bestimmen Sie die Stereoposition des betreffenden Kanals. Das wird dadurch erzielt, daß Sie mit diesem Regler die Lautstärke des Signals für den rechten und linken Kanal der STEREO-Summe bestimmen.

⑥ **PEAK-Diode**

Die PEAK-Diode leuchtet jeweils rot auf, wenn das Pre-EQ, Post-EQ oder Post-Fader Signal des betreffenden Kanalzuges einen Wert erreicht, der sich 3dB unter der Verzerrungsgrenze befindet.

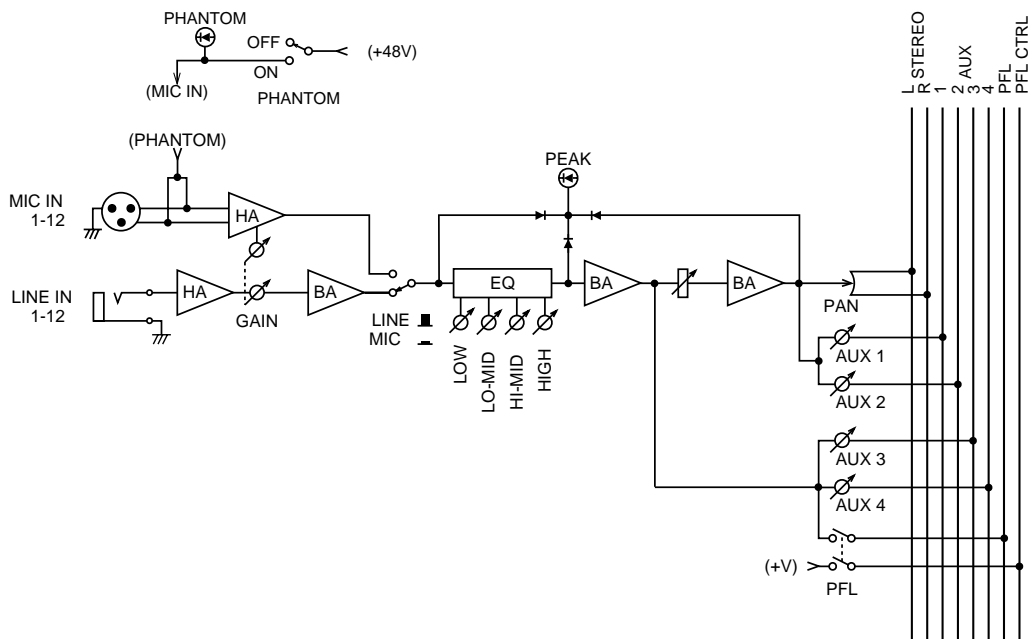
⑦ **PFL-Taster**

Drücken Sie diesen Taster, um das Pre-Fader Signal des betreffenden Kanalzuges der MONITOR OUT- oder PHONES-Summe zuzuordnen. Das ist z.B. sinnvoll, wenn Sie das Signal eines Kanals getrennt abhören möchten, um eventuelle Korrekturen durchzuführen.

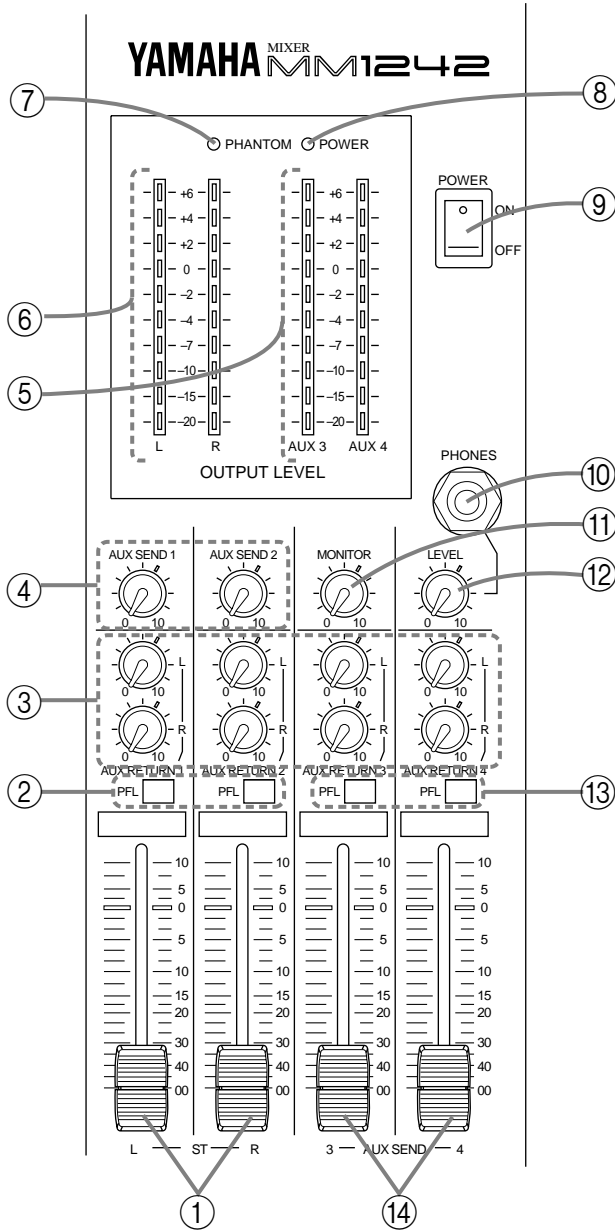
⑧ **Schieberegler (Fader)**

Dies ist der Hauptpegelregler eines Kanalzuges, mit dem Sie den Pegel des Signals in der Haupt-Stereosumme einstellen. Die Einstellung dieses Faders bestimmt demnach die "Abmischung" oder Balance des Signalpegels im Gesamtbild.

Am besten stellen Sie die Fader nicht verwendeter Kanäle jeweils auf Null (00).



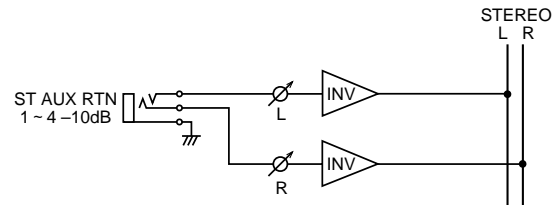
■ Master-Sektion



- ① **ST-Schieberegler**
Mit den ST-Schiebereglern können Sie das Ausgangssignal des linken (L) und rechten (R) Kanals der Stereosumme einstellen. Das Signal dieser Kanäle liegt an den STEREO OUT-Buchsen an.
Die OUTPUT LEVEL L/R-Meter zeigen jeweils den Ausgangspegel dieser beiden Kanäle an.

- ② **ST PFL-Taster**
Wenn Sie diesen Taster drücken, wird das Pre-Fader Signal des betreffenden Kanals der MONITOR OUT- und PHONES-Summe zugeordnet.

- ③ **AUX RETURN-Regler**
Mit diesem Regler können Sie den Pegel des linken und rechten Kanals der an die ST AUX RTN 1~4 Buchsen angelegten Signale einstellen. (Die Effektrückwege ST AUX RTN 1~4 sind mit Stereo-Klinken ausgestattet; verwenden Sie also das richtige Kabel).
Hinter diesen Reglern wird das Signal des Effektrückwegs dann in die Haupt-Stereosumme eingeschleift, so daß es ebenfalls an den STEREO OUT L/R-Buchsen anliegt. Wenn Sie nur zwei Effekte verwenden, könnten Sie die nicht verwendeten Effektrückwege also als zusätzliche Eingangskanäle einsetzen.



- ④ **AUX SEND-Regler**
Mit diesen Reglern bestimmen Sie den Ausgangspegel der AUX SEND 1- und 2-Summe.

- ⑤ **OUTPUT LEVEL AUX 3/4-Meter**
Diese Meter zeigen den Pegel des Signals an, das an den Buchsen AUX SEND 3 und 4 anliegt.

- ⑥ **OUTPUT LEVEL L/R-Meter**
Diese Meter zeigen den Pegel des Signals an, das an den STEREO OUT-Buchsen anliegt.

- ⑦ **PHANTOM-Diode**
Die PHANTOM-Diode leuchtet, wenn die Phantomspannung eingeschaltet ist.

- ⑧ **POWER-Diode**
Die POWER-Diode leuchtet, wenn das MM1242 eingeschaltet ist.

- ⑨ **POWER-Schalter**
Drücken Sie diesen Schalter an der ON-Seite, um das Pult einzuschalten.
Bitte merken Sie sich, das man vor dem Ausschalten des Pultes erst einmal die Geräte ausschalten muß, die sich in der Signalkette am nächsten bei den Lautsprechern befinden (in der Regel handelt es sich dabei um eine Endstufe).

⑩ **PHONES-Buchse**

Hier können Sie einen Kopfhörer anschließen, mit dem sich folgende Signale überwachen lassen:

— **Signale, die abgehört werden können** —

- 1. Post-EQ-Signal
(Wenn der PFL-Taster des betreffenden Kanalzuges eingeschaltet ist.)
- 2. Pre-Fader ST-Signal
(Hierfür müssen einen oder beide PFL-Taster der Stereosumme einschalten.)
- 3. Pre-AUX SEND 3/4 Fader-Signal
(Hierfür müssen einen oder beide PFL-Taster der AUX Send 3/4-Summe einschalten.)

⑪ **MONITOR-Regler**

Mit diesem Regler können Sie den Ausgangspegel der MONITOR OUT-Buchsen bestimmen.

⑫ **PHONES LEVEL-Regler**

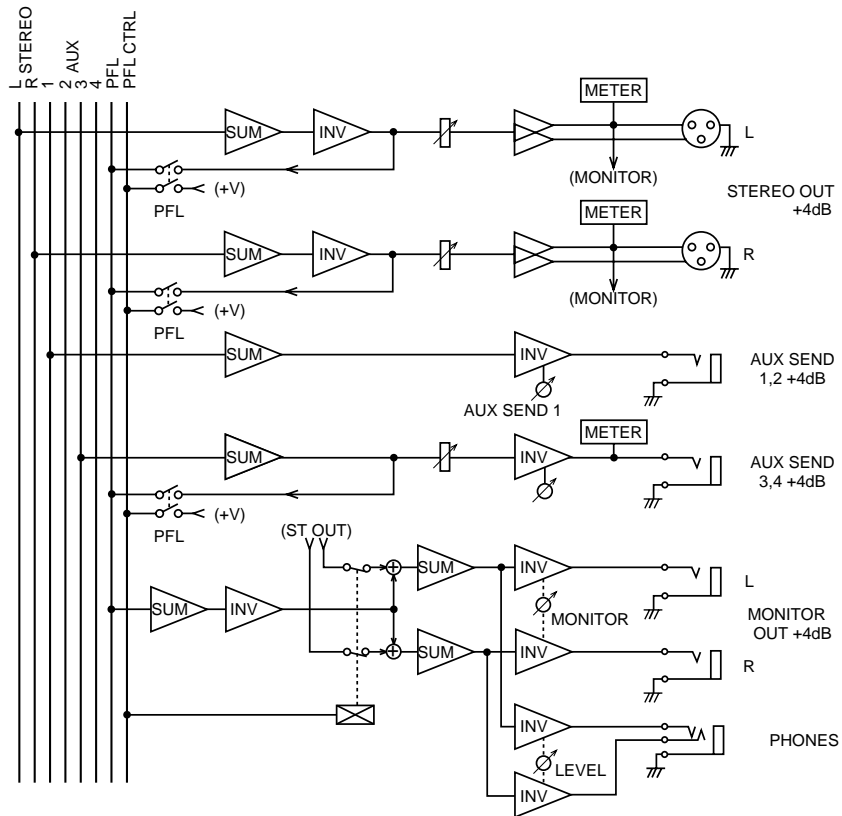
Mit dem PHONES-Regler können Sie den Ausgangspegel der PHONES-Buchse einstellen.

⑬ **AUX SEND 3/4 PFL-Taster**

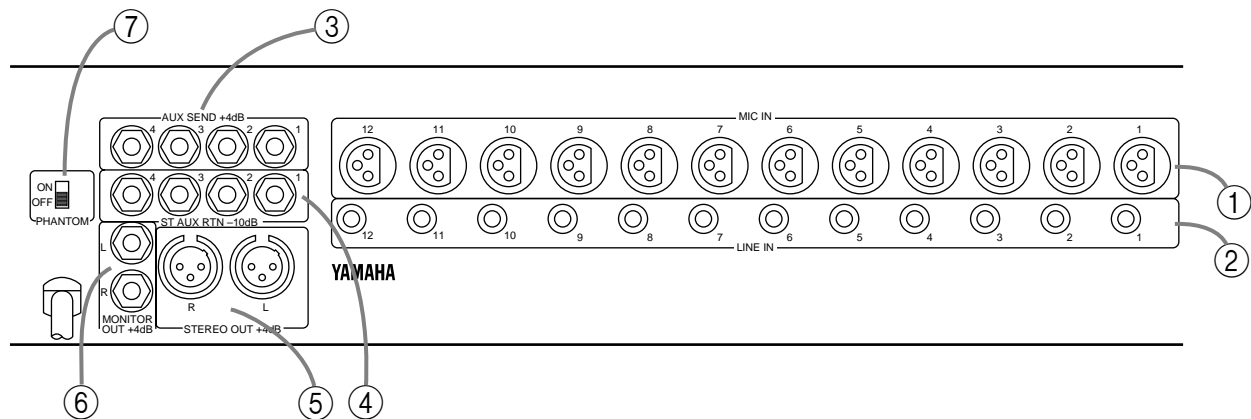
Wenn Sie diese Taster drücken, wird das Signal der AUX SEND 3- und 4-Summe an die MONITOR OUT- und PHONES-Buchse angelegt.

⑭ **AUX SEND 3/4-Schieberegler**

Mit diesen Schieberegler bestimmen Sie den Ausgangspegel der AUX SEND 3- und 4-Summe. Das hat den Vorteil, daß für einen etwaigen Zusatzausgang ebenfalls Schieberegler zur Verfügung stehen.



■ Rückseite



① MIC IN-Anschlüsse

An diese XLR-Buchsen können Sie Mikrofone anschließen. (Stiftbelegung: 1= Masse, 2= heiß, 3= kalt). Der Impedanzbereich dieser Eingänge beträgt $50\Omega\sim 600\Omega$.

Wenn Sie die PHANTOM-Speisung einschalten, wird eine Spannung von +48V an Stift 2 und 3 dieser Buchsen angelegt.

② LINE IN

Dies sind asymmetrische Klinkenbuchsen, an die man Signale mit Line-Pegel anlegen kann (Impedanz: 600Ω).

③ AUX SEND-Buchsen

Auch hierbei handelt es sich um asymmetrische Klinkenbuchsen. (Spitze= Signal, Mantel= Masse). Der Nennausgangspegel und die Impedanz dieser Buchsen betragen +4dB/ 600Ω .

④ ST AUX RTN-Buchsen

Bitte beachten Sie, dass es sich hier um Stereo-Klinkenbuchsen handelt.

Der Nenneingangspegel und die Impedanz betragen -10dB/ 600Ω .

In der Regel werden Sie hier wohl die Ausgänge der Effekte (Delay, Hall usw.) anschließen, damit deren Signal in die Stereosumme eingeschleift wird. Sie könnten diese Buchsen jedoch auch als Zusatzeingänge verwenden.

⑤ STEREO OUT-Buchsen

Die Stereo-Ausgänge sind als XLR-Buchsen ausgelegt, die Sie mit den Eingängen der Endstufe verbinden müssen. (Stiftbelegung: 1= Masse, 2= heiß, 3= kalt).

⑥ MONITOR OUT-Buchsen

An diese asymmetrischen Klinkenbuchsen können Sie die Endstufe der Bühnenbeschallung anschließen. Es können folgende Signale abgehört werden:

— Signale, die abgehört werden können —

1. Post-EQ-Signal
(Wenn der PFL-Taster des betreffenden Kanalzuges eingeschaltet ist.)
2. Pre-Fader ST-Signal
(Hierfür müssen einen oder beide PFL-Taster der Stereosumme einschalten.)
3. Pre-AUX SEND 3/4 Fader-Signal
(Hierfür müssen einen oder beide PFL-Taster der AUX Send 3/4-Summe einschalten.)

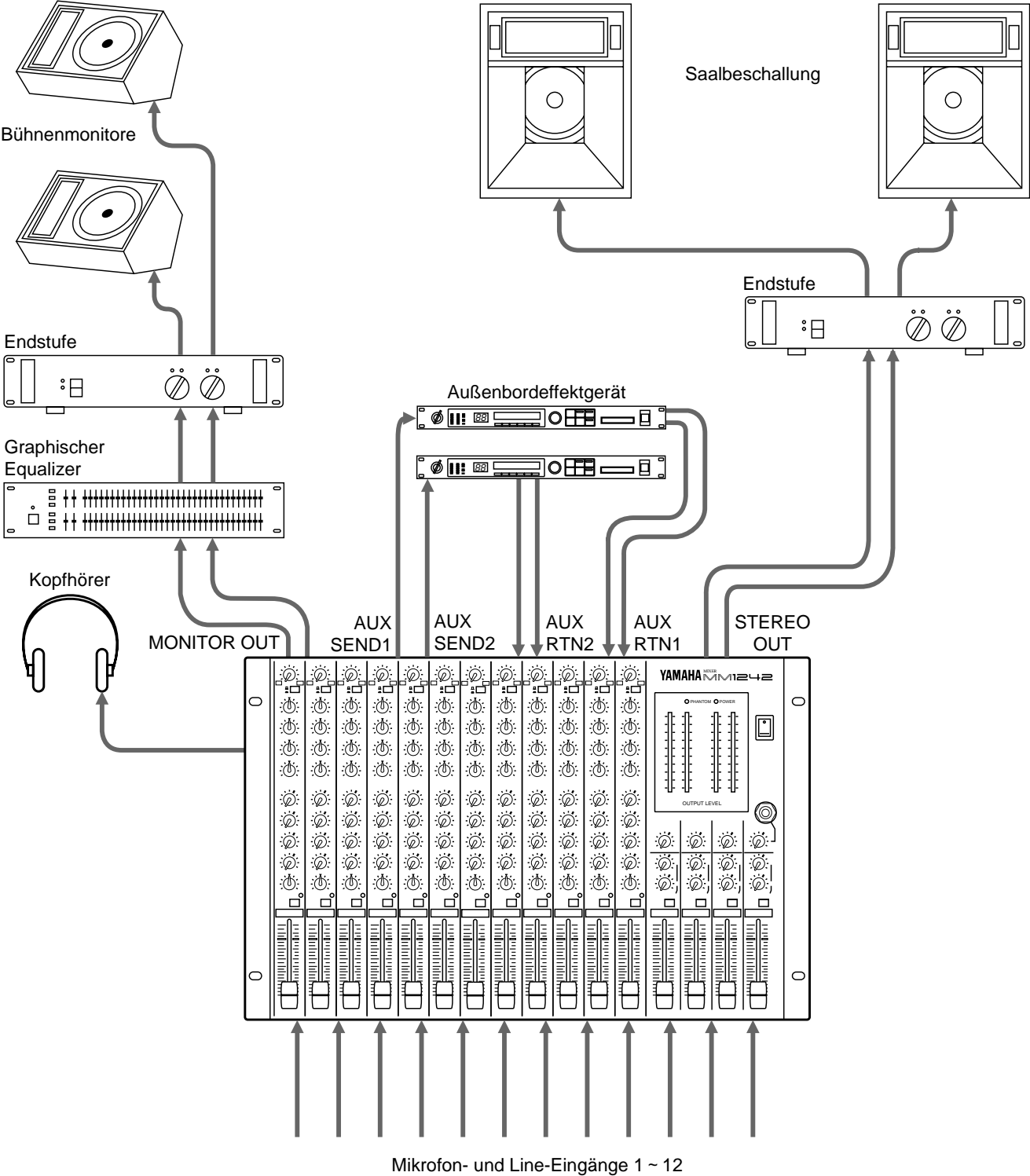
⑦ PHANTOM-Schalter

Mit diesem Schalter können Sie die Phantomspeisung aller Eingangskanäle gleichzeitig ein- bzw. ausschalten. Wählen Sie die ON-Position, wenn Sie die Phantomspeisung brauchen. In dem Fall wird eine Spannung von +48V an Stift 2 und 3 der MIC IN 1~12-Buchsen angelegt.

Wählen Sie die OFF-Position, wenn Sie die Phantomspeisung nicht brauchen.

* In Stellung ON können auch symmetrische Dynamikmikrofone oder Hochpegelquellen angeschlossen werden, ohne daß Probleme auftreten. Werden jedoch unsymmetrische Quellen oder Geräte mit Neutralerdung angeschlossen, kommt es zu Brummen oder anderen Störungen. Die Phantomstromversorgung liefert einen Strom von maximal 40 mA. Überprüfen Sie die Daten Ihrer Kondensatormikrofone und vergewissern Sie sich, daß die Stromaufnahme nicht 40 mA überschreitet.

Anwendungsbeispiel



Spezifikationen

■ Allgemeine Spezifikationen

Maximaler Ausgangspegel	+24dB* (ST OUT L/R) @600Ω, 0,5% Klirrf., bei 1kHz (symmetrisch) +20dB* (AUX SEND 1~4) @600Ω, 0,5% Klirrf., bei 1kHz (asymmetrisch)		
Klirrfaktor	0,1% @+14dB* 20Hz~20kHz (ST OUT L/R @600Ω, AUX SEND 1~4 @600Ω)		
Frequenzgang	20Hz~20kHz +1dB, -2dB @+4dB* (MIC *IN=GAIN MIN) (ST OUT L/R @600Ω, AUX SEND 1~4 @600Ω)		
Störspannungen (Durchschnitt, Rs= 150Ω) (Gemessen mit DIN AUDIO)	-127dB* Äquivalentes Eingangsrauschen		
	-95dB* Restrauschen der Ausgänge (ST OUT L/R @600Ω, AUX SEND 1~4 @600Ω)		
	-78dB*(ST OUT L/R)	Master Fader: Alle Kanal-Fader:	Nennpegel Minimum
	-63dB*(67dB Fremdsp.)(ST OUT L/R)	Master Fader Ein Kanal-Fader:	Nennpegel Nennpegel
	-78dB*(AUX SEND 1~4)	Master-Pegelregler: Alle AUX-Regler:	Nennpegel Minimum
	-63dB* (67dB Fremdsp.)(AUX SEND 1~4)	Master-Pegelregler: Ein Kanal-Fader Ein AUX-Kanalregler:	Nennpegel Nennpegel
Maximale Spannungsanhebung	84dB MIC IN → ST OUT 50dB LINE IN → ST OUT 86dB MIC IN → AUX SEND1, 2 80dB MIC IN → AUX SEND3, 4 90dB MIC IN → MONITOR OUT 30dB AUX RTN → ST OUT		
Kanaltrennung	-70dB bei nebeneinanderliegenden Kanälen -60dB Eingang zu Ausgang (ausgenommen zwischen ST L und R) -55dB Eingang zu Ausgang (zwischen ST L und R)		
GAIN-Regler (MIC IN)	44dB variabel einstellbar		
GAIN-Regler (LINE IN)	36dB variabel einstellbar		
Entzerrung der Eingangskanäle	HIGH ±12dB 12kHz Kuhschwanz (max. ±15dB) HI-MID ±12dB 3kHz Glocke LO-MID ±12dB 300Hz Glocke LOW ±12dB 80Hz Kuhschwanz (max. ±15dB)		
LED-Meter	0dB=+4dB* Ausgangspegel		
PEAK-Dioden der Kanäle	Die Rote Diode der Eingangskanäle leuchtet, wenn der Pegel des Pre-EQ, Post-EQ oder Post-Fader Signals 3dB unter der Verzerrungsgrenze liegt.		
Phantomspannung	+48V Gleichstrom		
Stromanforderungen	Modell für die USA und Kanada: 120V, 60Hz Allgemeines Modell: 230V, 50Hz Britisches Modell: 240V, 50Hz		
Leistungsaufnahme	Modell für die USA und Kanada: 45W Allgemeines Modell: 55W Britisches Modell: 55W		
Abmessungen (W × H × D)	483 × 130,2 × 320,6 mm		
Gewicht	8,5kg		

*0dB= 0.775Vrms

■ Eingangsspezifikationen

Eingang	Anhebung Absenkung	Eingangs- impedanz	Nenn impedanz	Eingangsspegel			Anschlußtyp
				Empfindlichkeit	Nennpegel	Maximalpegel vor Verzerrung	
MIC IN (1~12)	MAX	4k Ω	50~600 Ω microphone	-80dB (77.5 μ V)	-60dB (775 μ V)	-40dB (7.75mV)	XLR-3-31 Typ Symmetrisch
	MIN			-36dB (12.3mV)	-16dB (123mV)	+4dB (1.23V)	
LINE IN (1~12)	MAX	10k Ω	600 Ω line	-46dB (3.88mV)	-26dB (38.8mV)	-6dB (388mV)	Klinkenbuchse Asymmetrisch
	MIN			-10dB (245mV)	+10dB (2.45V)	+20dB (7.75V)	
AUX RETURN (1~4)		10k Ω	600 Ω line	-26dB (38.8mV)	-10dB (245mV)	—	Stereo- Klinkenbuchse

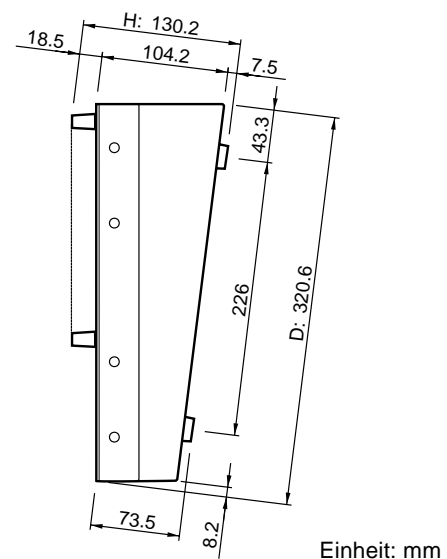
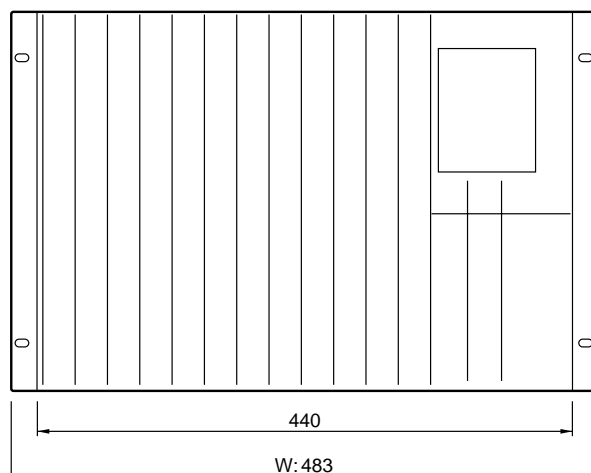
0dB=0.775V_{rms}.

■ Ausgangsspezifikationen

Ausgang	Ausgangs- impedanz	Nenn impedanz	Ausgangspegel		Anschlußtyp
			Nennpegel	Maximalpegel vor Verzerrung	
ST OUT (L/R)	150 Ω	600 Ω Lines	+4dB (1.23V)	+24dB (12.3V)	XLR-3-32 Typ (Symmetrisch)
AUX SEND (1~4)	75 Ω	600 Ω Lines	+4dB (1.23V)	+19dB (6.91V)	Klinkenbuchse (Asymmetrisch)
MONITOR OUT (L/R)	75 Ω	600 Ω Lines	+4dB (1.23V)	+19dB (6.91V)	Klinkenbuchse (Asymmetrisch)
HEAD PHONE	100 Ω	40 Ω Phones	3mW	120mW	Stereo-Klinkenbuchse (Asymmetrisch)

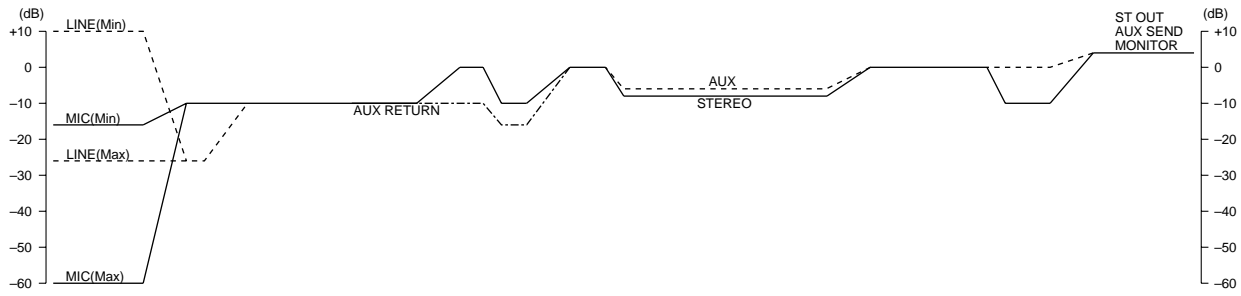
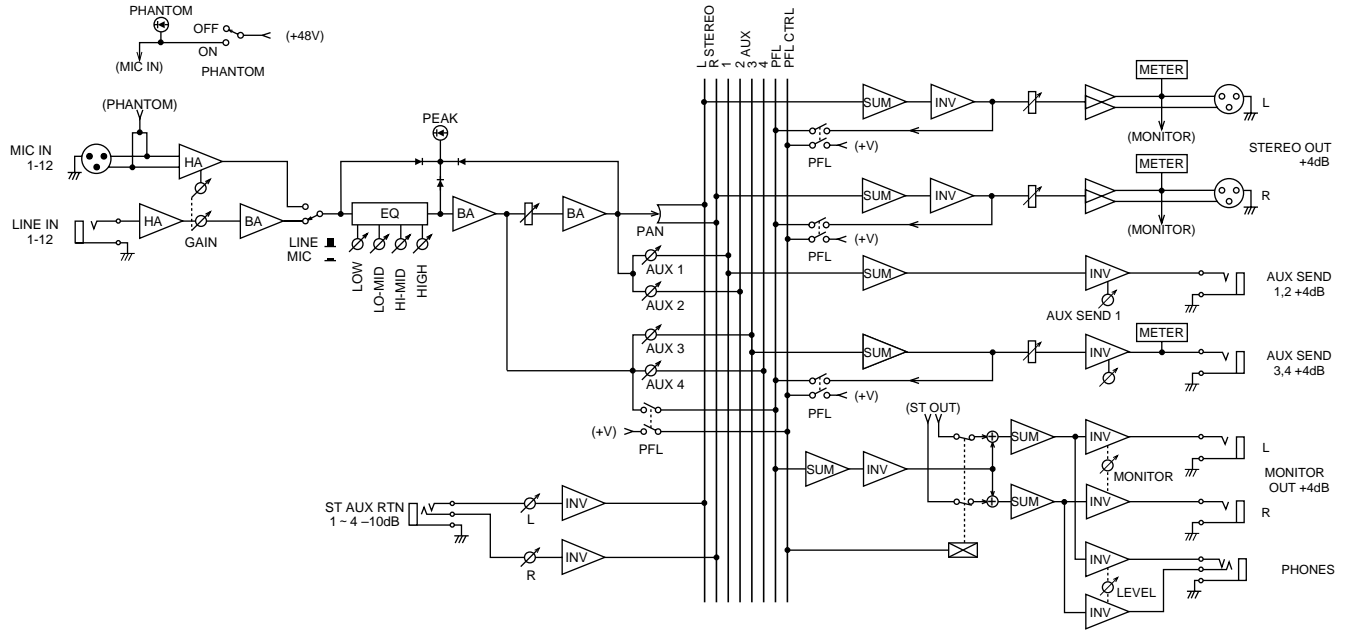
0dB=0.775V_{rms}.

■ Abmessungen



Änderungen der Spezifikationen und Bestückung ohne Vorankündigung jederzeit vorbehalten.

■ Block- und Pegelregelungsschaltbild



MEZCLA

MM1242

MANUAL DE OPERACIÓN

Introducción

¡Felicidades! Es usted el orgulloso propietario de una mezcladora Yamaha MM1242. Su consola de mezclas Yamaha es un producto de extraordinaria calidad que combina un sencillo funcionamiento con características funcionales y es muy práctico. Su funcionamiento será excelente para una gama de aplicaciones muy extensa. La MM1242 puede ofrecer también la gran calidad de sonido que ha hecho famosa a la marca Yamaha. Lea detenidamente este manual de funcionamiento en su totalidad si quiere obtener las mayores ventajas de los controles y las prestaciones de la consola de mezclas.

Prestaciones

- Doce canales de entrada y salida estereofónica de mezclas
- La función PFL (Escucha al Pre-Atenuador) le permite controlar cualquier entrada de canal y salida STL, R AUX3, 4 a través de la salida de monitorización o de los auriculares.
- Todos los canales de entrada se pueden utilizar, tanto para nivel de entrada de micrófono como para nivel de entrada de línea, facilitando mucho las conexiones.
- La alimentación incorporada phantom le permite conectar los micrófonos de condensador.
- Cuatro conectores de Envío Auxiliar (AUX SEND) y cuatro conectores Auxiliares Estereofónicos de Retorno (ST AUX RTN) le permitirán conectar hasta cuatro unidades de efectos externos.

Contenido

PRECAUCIONES	1
Controles del panel frontal	2
Canal de entrada	2
Sección Principal	4
Panel Trasero	6
Ejemplo aplicable	7
Especificaciones	8
Especificaciones Generales	8
Especificaciones de Entrada	9
Especificaciones de Salida	9
Dimensiones	9
Diagramas de bloque y de nivel	10

PRECAUCIONES

1. Ubicación

Mantenga el aparato alejado de lugares donde pueda quedar expuesto a elevadas temperaturas o grados de humedad, como por ejemplo cerca de radiadores, estufas, etc. Evite también los lugares que estén sometidos a una excesiva acumulación de polvo o existencia de vibraciones que puedan causar desperfectos mecánicos y los lugares sometidos a campos electromagnéticos fuertes, tal como un lugar cerca de un equipo de difusión.

2. Ventilación

El aparato tiene rendijas de ventilación en los paneles laterales y trasero. Procure no bloquear la ventilación del aparato.

3. Evite las sacudidas

Si el aparato se ve sometido a fuertes sacudidas se puede ver dañado. Manéjelo con cuidado.

4. No abra la cubierta ni intente personalmente hacer reparaciones ni modificaciones

Este producto no contiene piezas que puedan ser reparadas por el usuario. Cuando necesite labores de reparación o mantenimiento avise a personal cualificado de Yamaha. Si abre la cubierta y/o intenta forzar los circuitos internos la garantía quedará anulada.

5. Apague siempre el aparato antes de hacer las conexiones

Apague siempre el aparato (OFF) antes de ponerse a conectar o desconectar los cables. Acuérdesse siempre de hacerlo para evitar dañar el aparato u otros equipos que puedan estar conectados a él.

6. Maneje los cables con cuidado

Al enchufar y desenchufar los cables - incluyendo el cable de alimentación de CA - tire del conector, no del cable.

7. Limpie el aparato con un trapo suave y seco

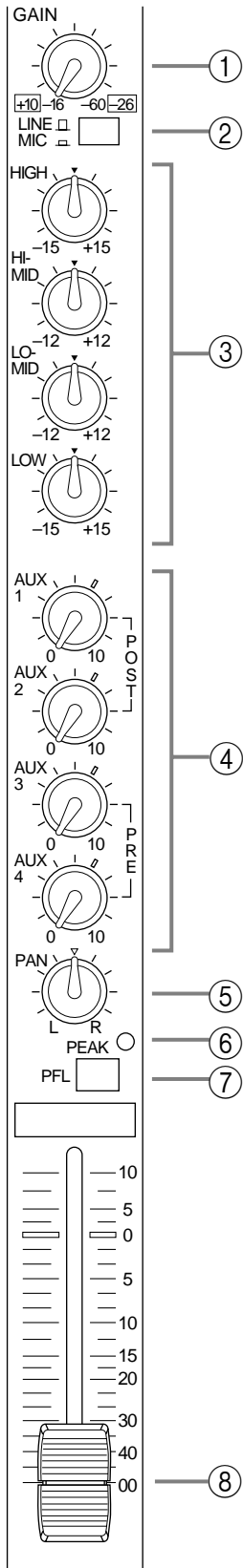
No utilice nunca disolventes, tales como la bencina ni diluyentes para limpiar el aparato. Para limpiar o secar el aparato utilice un trapo seco y suave.

8. Emplee siempre la alimentación correcta

Asegúrese de que el voltaje especificado en el panel trasero se corresponda con la alimentación de CA de la red local. Asegúrese también de que el suministro de la red local sea capaz de proporcionar suficiente corriente para alimentar todo el equipo que utilice en su sistema.

Controles del panel frontal

■ Canal de entrada



① Control de Ganancia (GAIN)

Este control sirve para ajustar la sensibilidad de entrada de cada canal de entrada, desde -16dB hasta -60dB para cada fuente de micrófono mediante los conectores de entrada XLR, y desde +10dB hasta -26dB para cada fuente de línea mediante los conectores de entrada de la toma de auriculares. Para conseguir un rendimiento óptimo, ajuste el control de Ganancia (GAIN) para que el diodo fotoemisor indicador de Máximo (PEAK) se ilumine de vez en cuando.

② Interruptor Línea/Micrófono (LINE/MIC)

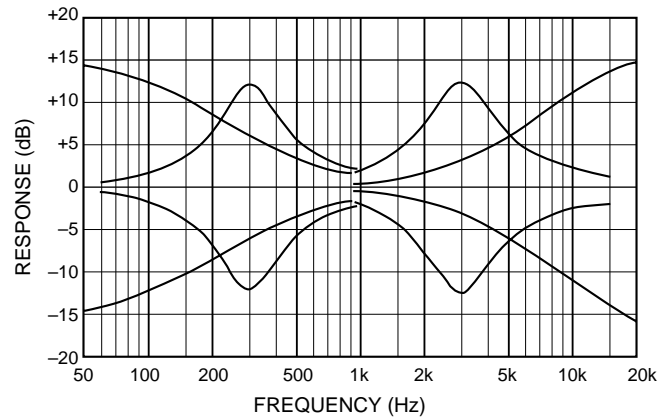
Este interruptor permite cambiar la entrada de micrófono (MIC IN). Empuje este interruptor hacia adentro (hacia Micrófono (MIC)) cuando haya un micrófono conectado al conector de entrada de micrófono (MIC IN). Coloque el interruptor en Línea (LINE) cuando haya una fuente de línea conectada al conector de entrada de línea (LINE IN).

③ EQ

La sección equalizador que hay en cada canal de entrada consiste en controles de nivel Bajo (LOW), Bajo Medio (LO-MID), Alto Medio (HI-MID) y Alto (HIGH) que pertenecen a las siguientes frecuencias con una amplitud máxima de +15dB.

Alto (HIGH)	: 12kHz
Alto Medio (HI-MID)	: 3kHz
Bajo Medio (LO-MID)	: 300kHz
Bajo (LOW)	: 80Hz

La respuesta en frecuencia será plana cuando cada control esté fijado en el centro.



④ Controles de Envío Auxiliar (AUX send)

Cada control auxiliar (AUX) determina el nivel de la señal enviada desde los canales de entrada hacia el bus de mezclas auxiliar numerado de forma correspondiente a los canales de entrada.

- El AUX1 y el AUX2 vienen preconfigurados de fábrica para su funcionamiento post-atenuador, de forma que las señales AUX1 y AUX2 se ven afectadas por el ajuste del atenuador de canal.
- El AUX3 y el AUX4 vienen preconfigurados de fábrica para su funcionamiento pre-atenuador, de forma que las señales AUX3 y AUX4 no se ven afectadas por el ajuste del atenuador de canal. Por lo tanto, la señal puede salir o bien hacia el AUX3 o hacia el AUX4 como salida auxiliar, en lugar de utilizar las salidas estéreo.

⑤ **Control PAN**

El control PAN determina la posición del campo de sonido estereofónico en la cual se escucha el sonido de ese canal, distribuyendo la señal de cada canal hacia los buses Estereofónicos Izquierdo y Derecho (STEREO L, R).

⑥ **Indicador de Máximo (PEAK)**

El diodo fotoemisor indicador de Máximo (PEAK) se ilumina en color rojo cuando la señal pre-equalizador, post-equalizador o post-atenuador de las entradas de los canales correspondientes alcanzan un nivel de 3dB por debajo del nivel de corte.

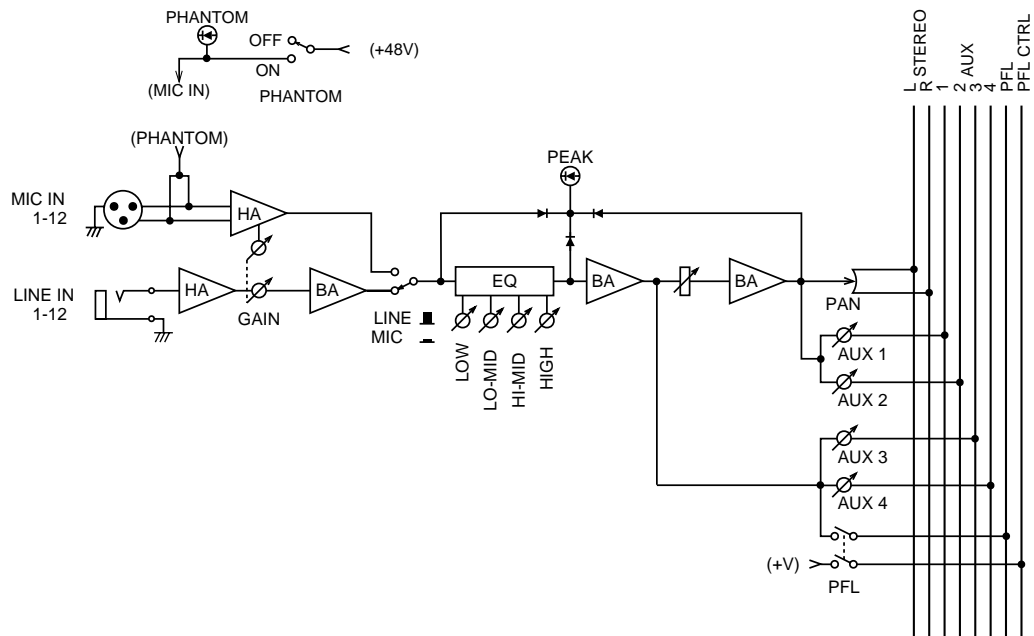
⑦ **Interruptor PFL (de escucha al pre-atenuador)**

Presione este interruptor para controlar la señal del canal de entrada pre-atenuador mediante el conector de Salida de Monitorización (MONITOR OUT) o de Auriculares (PHONES). Resulta útil cuando se desea controlar únicamente la señal que proviene de un canal en particular, o adoptar una medida para intentar solucionar un fallo.

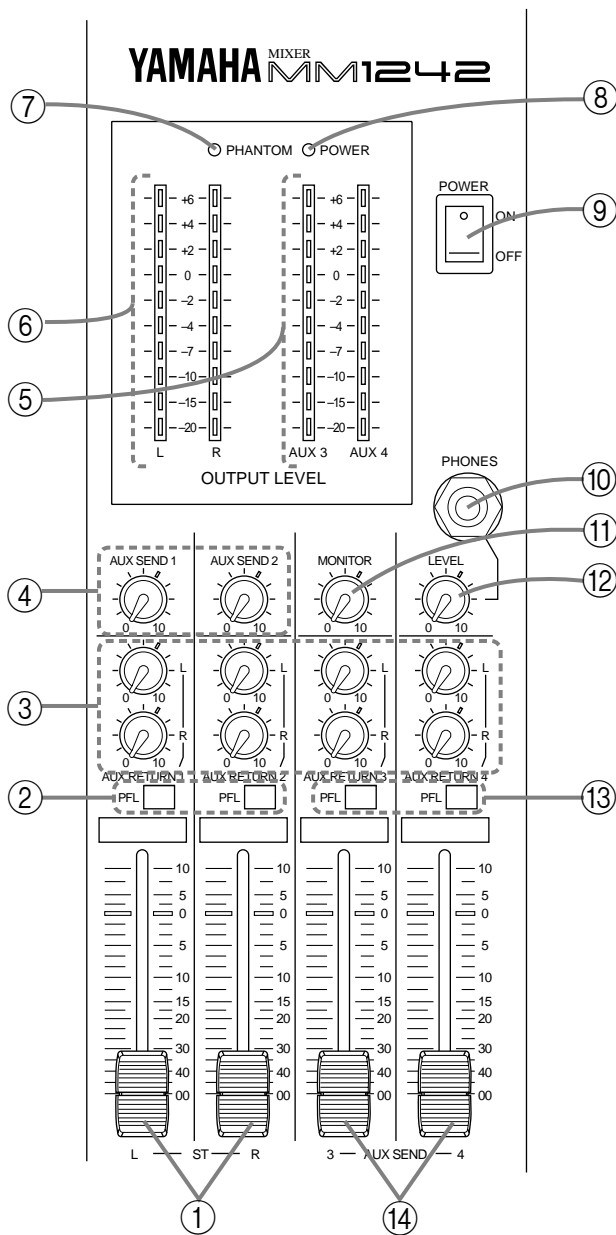
⑧ **Atenuador**

Es el principal control de nivel para cada uno de los canales de entrada. Determina el nivel de la señal enviada desde el canal de entrada correspondiente hacia el bus estereofónico principal. El ajuste de los atenuadores del canal de entrada determina la mezcla “mix” o el balance de los niveles de sonido entre los instrumentos, u otras fuentes conectadas a las entradas.

Rebaje los atenuadores de aquellos canales que no se estén utilizando hasta la posición más baja.



■ Sección Principal



① Atenuadores estereofónicos

Los atenuadores estereofónicos principales ajustan independientemente el nivel de las señales de los buses estereofónicos principales de los canales izquierdo y derecho que aparecen en los conectores de Salida Estereofónica (STEREO OUT).

Los medidores de Nivel de Salida Izquierdo, Derecho (OUTPUT LEVEL L,R) le permitirán controlar las salidas Izquierda y Derecha.

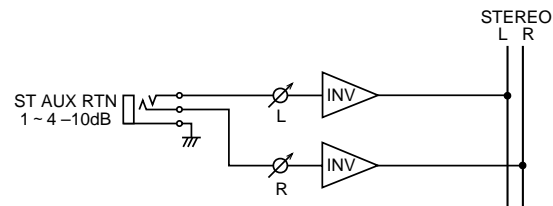
② Interruptores de Escucha al Pre-Atenuador Estereofónicos (ST PFL)

Al activar el interruptor se envían las señales estereofónicas pre-atenuador de izquierda y de derecha hacia la Salida de Monitorización (MONITOR OUT) y hacia los Auriculares (PHONES).

③ Controles Auxiliares de Retorno (AUX RETURN)

Estos controles ajustan el nivel de las señales Izquierda (L) y Derecha (R) que son recibidas en los Controles Auxiliares Estereofónicos de Retorno 1-4 (ST AUX RTNs 1-4) del panel trasero. (Utilice un conector de clavija de auriculares tipo estereofónico para los Controles Auxiliares Estereofónicos de Retorno 1-4 (ST AUX RTNs 1-4).

Después de pasar por estos controles, las señales se enviarán hacia los buses estereofónicos izquierdo y derecho (Salida Estereofónica (STEREO OUT)). Por lo tanto, puede usted utilizar los Controles Auxiliares Estereofónicos de Retorno (ST AUX RTN) como entradas auxiliares, al igual que como retornos de efectos.



④ Controles de Envío Auxiliar (AUX SEND)

Ajustan el nivel de salida global que aparece en los Envíos Auxiliares 1 y 2 (AUX SEND 1, 2).

⑤ Medidores de Nivel de Salida Auxiliar 3, 4 (OUTPUT LEVEL AUX 3,4)

Estos medidores muestran el nivel de la señal de salida que aparece en el conector de Envíos Auxiliares 3 y 4.

⑥ Medidores de Nivel de Salida Izquierdo y Derecho (OUTPUT LEVEL L,R)

Estos medidores muestran el nivel de la señal de salida que aparece en el conector de Salida Estereofónica (STEREO OUT).

⑦ Indicador PHANTOM

El diodo fotoemisor del indicador PHANTOM se ilumina cuando la alimentación de Phantom está activada.

⑧ Indicador de Alimentación (POWER)

El diodo fotoemisor del indicador de Alimentación (POWER) se ilumina cuando el aparato está encendido (ON).

⑨ Interruptor de Alimentación (POWER)

Empuje hacia arriba el interruptor para encender el aparato.

Como norma se deben apagar primero los dispositivos (amplificadores de potencia en muchos casos) que se encuentren más cerca de los altavoces antes de apagar la consola.

⑩ **Toma de Auriculares (PHONES)**

Conecte los auriculares aquí.

Usted podrá controlar las siguientes señales:

— Señales que se pueden controlar —

1. Señal post-equalizador
(cuando está conectado el interruptor PFL (de escucha al pre-atenuador) del canal correspondiente)
2. Señal pre-atenuador y estereofónica
(cuando está conectado el interruptor L/R PFL (de escucha al pre-atenuador izquierdo, derecho) estereofónico correspondiente)
3. Señal pre-atenuador de envíos auxiliares 3 y 4 (AUX SEND 3,4)
(cuando está conectado el interruptor PFL (de escucha al pre-atenuador) de los envíos auxiliares 3/4 correspondientes).

⑪ **Control de MONITORIZACION**

Este control ajusta el nivel de la salida de la señal desde la Salida de Monitorización (MONITOR OUT).

⑫ **Control de Nivel de Auriculares (PHONES LEVEL)**

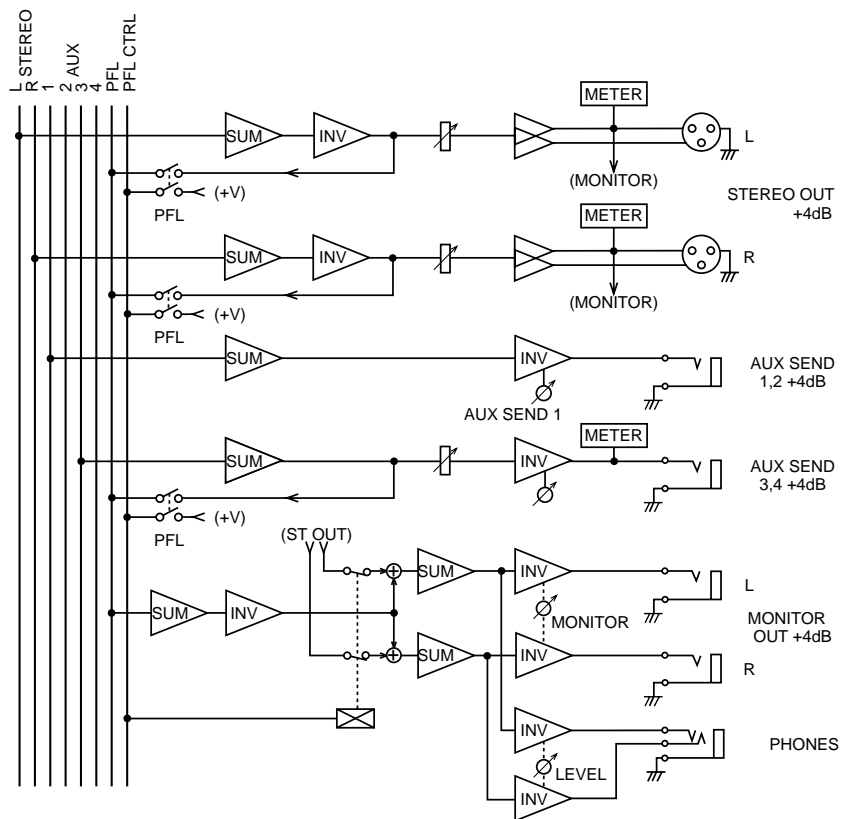
El control de Auriculares (PHONES) ajusta el nivel de la señal enviada hacia las tomas de Auriculares (PHONES).

⑬ **Interruptores PFL (de Escucha al Pre-Atenuador) de Envíos Auxiliares 3,4 (AUX SEND)**

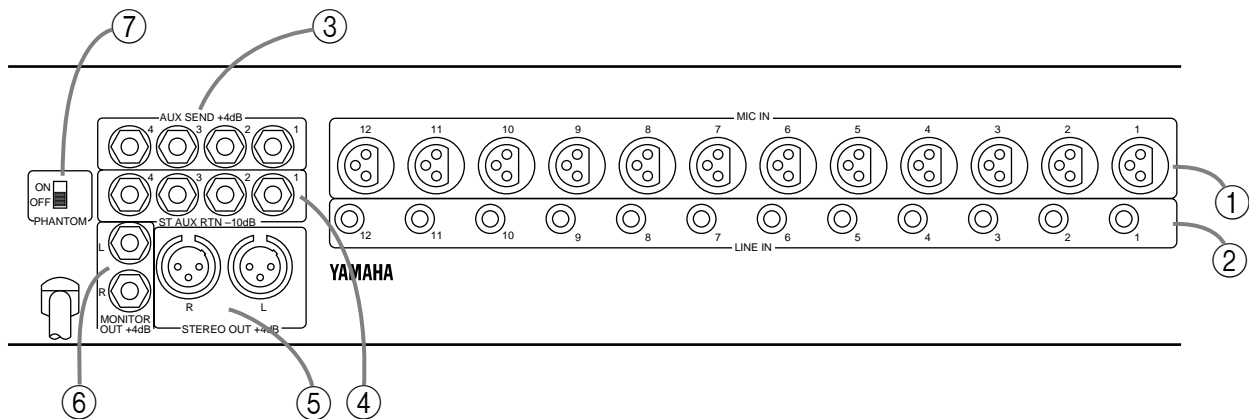
Al conectar este interruptor podrá controlar la salida de la señal hacia los Envíos Auxiliares (AUX SEND) 3 y 4 a través de la Salida de Monitorización (MONITOR OUT) o de los Auriculares.

⑭ **Atenuadores de los Envíos Auxiliares (AUX SEND) 3 y 4**

Estos atenuadores ajustan los niveles de salida de los Envíos Auxiliares (AUX SEND) 3 y 4. También puede utilizarlos para ajustar el nivel de una salida auxiliar.



■ Panel Trasero



- ① **Conectores de Entrada de Micrófono (MIC IN)**
Se trata de conectores tipo XLR que sirven para conectar micrófonos.
(Asignación de pines - 1: manguito, 2: caliente, 3: frío)
El rango de la impedancia es de 50Ω a 600Ω .
Conecte el interruptor de PHANTOM para aplicar +48V CC a los pines 2 y 3 de estos conectores.

- ② **Entrada de Línea (LINE IN)**
Se trata de tomas de auriculares no simétricas que se utilizan para conectar fuentes de línea. (Impedancia: 600Ω).

- ③ **Tomas de Envío Auxiliares (AUX send)**
Se trata de tomas de auriculares no simétricas.
(T: caliente, R: frío, S: manguito)
El nivel de salida nominal y la impedancia nominal es de +4dB/ 600Ω .

- ④ **Tomas de Controles Auxiliares Estereofónicos de Retorno (ST AUX RTN)**
Se trata de tomas de auriculares tipo estereofónico.
El nivel de salida nominal y la impedancia nominal es de -10dB/ 600Ω .
Normalmente, las salidas de las unidades de efectos, como por ejemplo el retraso y la reverberación son devueltas a la mezcla principal estereofónica a través de estas tomas. Sin embargo, se pueden utilizar como entradas auxiliares.

- ⑤ **Salidas Estereofónicas (STEREO OUT)**
Se trata de conectores tipo XLR que se utilizan para conectar un amplificador de potencia. (Asignación de pines - 1: manguito, 2: caliente, 3: frío)

- ⑥ **Salida de Monitorización (MONITOR OUT)**
Se trata de tomas de auriculares no simétricas que se utilizan para conectar los altavoces de monitorización.
Se pueden monitorizar las siguientes señales:

— Señales que se pueden monitorizar —

1. Señal Post-4-Equalizador
(cuando está conectado el interruptor correspondiente PFL (de escucha al pre-atenuador) de canal)
2. Señal Pre-Atenuador Estereofónica
(cuando está conectado el interruptor correspondiente L/R PFL (de escucha al pre-atenuador - izquierda/derecha) estereofónico)
3. Señal Pre-Atenuador Envío Auxiliar 3/4 (AUX SEND 3/4)
(cuando está conectado el interruptor correspondiente PFL (de escucha al pre-atenuador) de envío auxiliar 3/4 (AUX send 3/4))

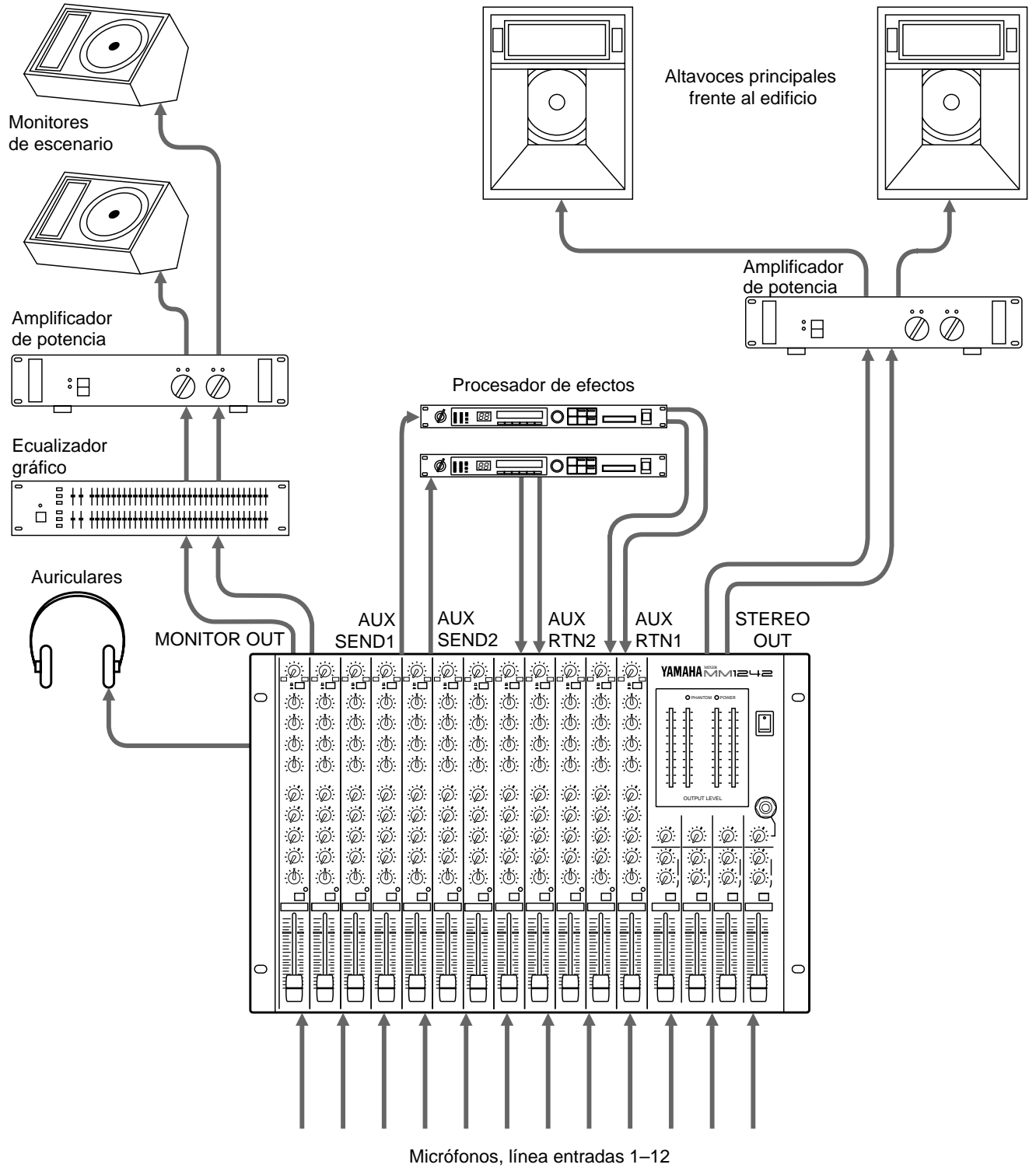
- ⑦ **Interruptor PHANTOM**
Este interruptor se utiliza para encender y apagar la alimentación PHANTOM de todos los canales simultáneamente. Conecte este interruptor (ON) cuando esté utilizando micrófonos de condensador para aplicar +48V CC a los pines 2 y 3 de todos los conectores de Entrada de Micrófono (MIC IN) 1-12.

Asegúrese de apagar este interruptor (OFF) cuando no esté utilizando la alimentación PHANTOM.

* Cuando este interruptor esté conectado (ON) usted podrá conectar micrófonos dinámicos simétricos o fuentes de línea. Sin embargo, al conectar dispositivos no simétricos, o dispositivos en los cuales el centro del transformador esté conectado a tierra se pueden producir ruidos, zumbidos o un funcionamiento inadecuado.

La alimentación Phantom puede proporcionar un máximo de 40 mA de corriente. Compruebe las especificaciones de sus micrófonos de condensador, y asegúrese de que el consumo total de corriente no sea superior a 40 mA.

Ejemplo aplicable



■ Especificaciones Generales

Nivel máximo de salida	+24dB* (ST OUT L/R) @600Ω, 0,5% THD a 1kHz (Simétrico) +20dB* @600Ω, 0,5% THD a 1kHz (No Simétrico)
Distorsión armónica total	0,1% @+14dB* 20Hz–20kHz (ST OUT L/R @600Ω, AUX SEND 1–4 @600Ω)
Respuesta en frecuencia	20Hz–20kHz + 1dB, –2dB @+4dB* MIC *IN = GAIN MIN (ST OUT L/R @600Ω, AUX SEND 1–4 @600Ω)
Zumbido y ruido (Promedio, Rs=150Ω) (Medido con DIN AUDIO)	–127dB* Ruido de entrada equivalente –95dB* Ruido de salida residual (ST OUT L/R @600Ω, AUX SEND 1–4 @600Ω)
	–78dB* (ST OUT L/R) Atenuador principal: nominal Atenuador de todos los canales: mínimo
	–63dB* (67dB S/N) (ST OUT L/R) Atenuador principal: nominal Atenuador de un canal: nominal
	–78dB* (AUX SEND 1–4) Control de nivel principal: nominal Control de nivel AUXILIAR de mínimo todos los canales:
	–63dB* (67dB S/N)(AUX SEND 1–4) Control de nivel principal: nominal Atenuador de un canal: nominal Control AUXILIAR de un canal: nominal
Ganancia Máxima de Voltaje	84dB MIC IN → Salida Estereofónica (ST OUT) 50dB LINE IN → ST OUT 86dB MIC IN → AUX SEND 1,2 80dB MIC IN → AUX SEND 3,4 90dB MIC IN → MONITOR OUT 30dB AUX RETURN → ST OUT
Interferencia entre canales	–70dB canales de entrada adyacentes –60dB entrada a salida (excepto entre los canales izquierdo y derecho, estéreo) –55dB entrada a salida (entre los canales izquierdo y derecho, estéreo)
Control de Ganancia MIC IN	44dB rango variable
Control de Ganancia LINE IN	36dB rango variable
Equalización de canal de entrada	HIGH ±12dB 12kHz tendencia descendiente (máx. ±15dB) HI-MID ±12dB 3kHz tendencia ascendiente LO-MID ±12dB 300Hz tendencia ascendiente LOW ±12dB 80Hz tendencia descendiente (máx. ±15dB)
Medidores de diodos fotoemisores	0dB=+4dB* Nivel de salida
Indicadores de Máximo (PEAK) de canal	El diodo fotoemisor rojo de cada canal se ilumina cuando la señal pre-equalizador, post-equalizador, o post-atenuador llega a ser de 3dB inferior al nivel de corte.
Alimentación PHANTOM	+48V, CC
Necesidades energéticas	EE.UU. y Canadá: 120V CA 60Hz General: 230V CA 50Hz Gran Bretaña: 240V CA 50Hz
Consumo de Potencia	EE.UU. y Canadá: 45W General: 55W Gran Bretaña: 55W
Dimensiones (W × H × D)	483 × 130,2 × 320,6 mm (19" × 5,1" × 12,6")
Peso	8,5kg

* 0dB=0,775 Vrms

■ Especificaciones de Entrada

Entrada	Equilibrio del la Ganancia	Impedancia de entrada	Impedancia nominal	Nivel de entrada			Tipo de Conector
				Sensibilidad	Nivel Nominal	Nivel Máximo no de corte	
MIC IN (1-12)	MAX	4k Ω	50-600 Ω microphone	-80dB (77.5 μ V)	-60dB (775 μ V)	-40dB (7.75mV)	Tipo XLR 3-31 Simétrico
	MIN			-36dB (12.3mV)	-16dB (123mV)	+4dB (1.23V)	
LINE IN (1-12)	MAX	10k Ω	600 Ω line	-46dB (3.88mV)	-26dB (38.8mV)	-6dB (388mV)	Toma de auriculares No simétrica
	MIN			-10dB (245mV)	+10dB (2.45V)	+20dB (7.75V)	
AUX RETURN (1-4)		10k Ω	600 Ω line	-26dB (38.8mV)	-10dB (245mV)	—	Toma de auriculares estereofónica

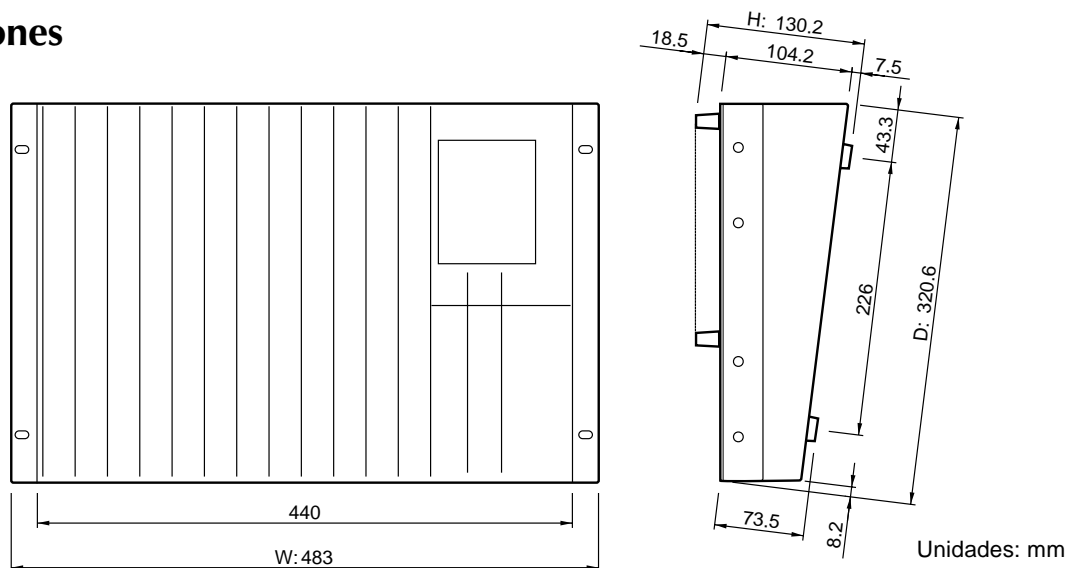
0dB=0,775 V_{rms}

■ Especificaciones de Salida

Salida	Impedancia de Salida	Impedancia Nominal	Nivel de Salida		Tipo de Conector
			Nivel Nominal	Nivel Máximo no de corte	
ST OUT (L/R)	150 Ω	600 Ω Lines	+4dB (1.23V)	+24dB (12.3V)	Tipo XLR 3-32 (Simétrico)
AUX SEND (1-4)	75 Ω	600 Ω Lines	+4dB (1.23V)	+19dB (6.91V)	Toma de auriculares (no simétrico)
MONITOR OUT (L/R)	75 Ω	600 Ω Lines	+4dB (1.23V)	+19dB (6.91V)	Toma de auriculares (no simétrico)
HEAD PHONE	100 Ω	40 Ω Phones	3mW	120mW	Toma de auriculares estereofónica (no simétrica)

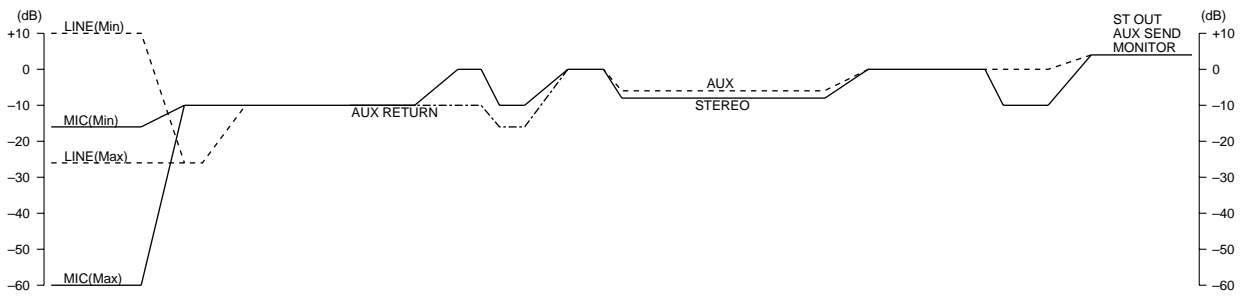
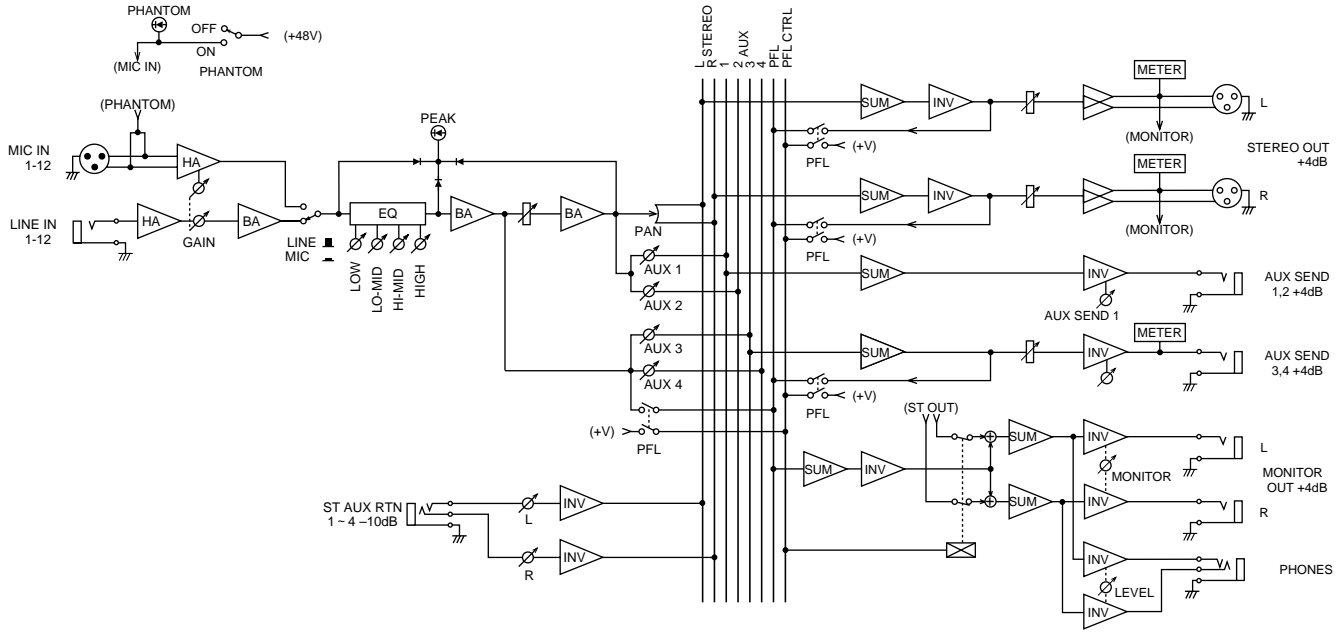
0dB=0.775V_{rms}.

■ Dimensiones



Las especificaciones y el aspecto están sujetos a cambio sin previo aviso.

■ Diagramas de bloque y de nivel



YAMAHA