

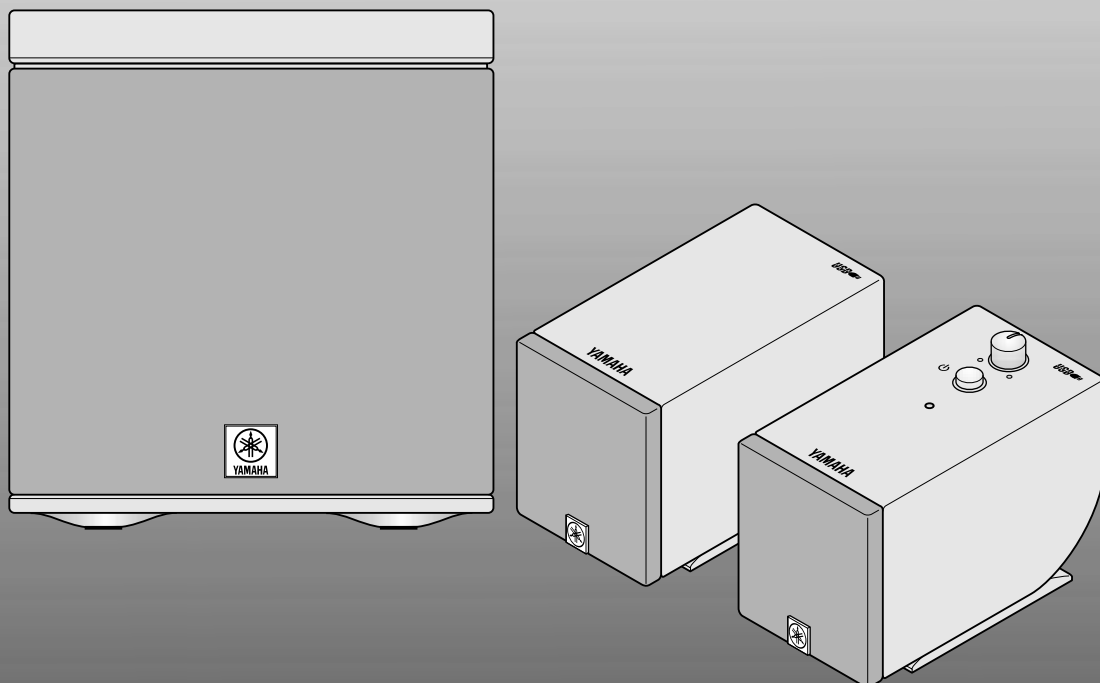


POWERED MULTIMEDIA SPEAKERS

# YST-MS35D



OWNER'S MANUAL  
MODE D'EMPLOI





**WARNING**  
TO REDUCE THE RISK OF FIRE OR ELECTRIC SHOCK, DO NOT EXPOSE THIS UNIT TO RAIN OR MOISTURE.

• Explanation of Graphical Symbols




The lightning flash with arrowhead symbol, within an equilateral triangle, is intended to alert you to the presence of uninsulated "dangerous voltage" within the product's enclosure that may be of sufficient magnitude to constitute a risk of electric shock to persons.



The exclamation point within an equilateral triangle is intended to alert you to the presence of important operating and maintenance (servicing) instructions in the literature accompanying the appliance.

**IMPORTANT!**  
Please record the serial number of this unit in the space below.  
Model:  
Serial No.:  
The serial number is located on the rear of the unit.  
Retain this Owner's Manual in a safe place for future reference.

# SAFETY INSTRUCTIONS

- 1 Read Instructions — All the safety and operating instructions should be read before the unit is operated.
- 2 Retain Instructions — The safety and operating instructions should be retained for future reference.
- 3 Heed Warnings — All warnings on the unit and in the operating instructions should be adhered to.
- 4 Follow Instructions — All operating and other instructions should be followed.
- 5 Water and Moisture — The unit should not be used near water – for example, near a bathtub, wash-bowl, kitchen sink, laundry tub, in a wet basement, or near a swimming pool, etc.
- 6 Carts and Stands — The unit should be used only with a cart or stand that is recommended by the manufacturer.
- 6A An unit and cart combination should be moved with care. Quick stops, excessive force, and uneven surfaces may cause the unit and cart combination to overturn. 
- 7 Wall or Ceiling Mounting — The unit should be mounted to a wall or ceiling only as recommended by the manufacturer.
- 8 Ventilation — The unit should be situated so that its location or position does not interfere with its proper ventilation. For example, the unit should not be situated on a bed, sofa, rug, or similar surface, that may block the ventilation openings; or placed in a built-in installation, such as a bookcase or cabinet that may impede the flow of air through the ventilation openings.
- 9 Heat — The unit should be situated away from heat sources such as radiators, stoves, or other appliances that produce heat.
- 10 Power Sources — The unit should be connected to a power supply only of the type described in the operating instructions or as marked on the unit.
- 11 Power-Cord Protection — Power-supply cords should be routed so that they are not likely to be walked on or pinched by items placed upon or against them, paying particular attention to cords at plugs, convenience receptacles, and the point where they exit from the unit.
- 12 Cleaning — The unit should be cleaned only as recommended by the manufacturer.
- 13 Nonuse Periods — The power cord of the unit should be unplugged from the outlet when left unused for a long period of time.
- 14 Object and Liquid Entry — Care should be taken so that objects do not fall into and liquids are not spilled into the inside of unit.
- 15 Damage Requiring Service — The unit should be serviced by qualified service personnel when:
  - A. The power-supply cord or the plug has been damaged; or
  - B. Objects have fallen, or liquid has been spilled into the unit; or
  - C. The unit has been exposed to rain; or
  - D. The unit does not appear to operate normally or exhibits a marked change in performance; or
  - E. The unit has been dropped, or the enclosure damaged.
- 16 Servicing — The user should not attempt service the unit beyond those means described in the operating instructions. All other servicing should be referred to qualified service personnel.
- 17 Power Lines — An outdoor antenna should be located away from power lines.

- 18** Grounding or Polarization — Precautions should be taken so that the grounding or polarization is not defeated.

## COMPLIANCE INFORMATION STATEMENT (DECLARATION OF CONFORMITY PROCEDURE)

Responsible Party:	Yamaha Corporation of America
Address:	6600 Orangethorpe Ave. Buena Park, CA90622
Telephone:	714-522-9011
FAX:	714-527-5782
Type of Equipment:	Powered Multimedia Speakers
Model Name:	YST-MS35D

This device complies with Part 15 of the FCC Rules.

Operation is subject to the following conditions:

- 1) this device may not cause harmful interference, and
  - 2) this device must accept any interference received including interference that may cause undesired operation.
- See user manual instructions if interference to radio reception is suspected.

### FCC INFORMATION (U.S.A)

**1. IMPORTANT NOTICE: DO NOT MODIFY THIS UNIT!**

This product, when installed as indicated in the instructions contained in this manual, meets FCC requirements. Modifications not expressly approved by Yamaha may void your authority, granted by the FCC, to use the product.

**2. IMPORTANT:** When connecting this product to accessories and/or another product use only high quality shielded cables. Cable/s supplied with this product **MUST** be used. Follow all installation instructions. Failure to follow instructions could void your FCC authorization to use this product in the USA.

**3. NOTE:** This product has been tested and found to comply with the requirements listed in FCC Regulations, Part 15 for Class "B" digital devices. Compliance with these requirements provides a reasonable level of assurance that your use of this product in a residential environment will not result in harmful interference with other electronic devices. This equipment generates/uses radio frequencies and, if not installed and used according to the instructions found in the users manual, may cause interference harmful to the operation of other electronic devices. Compliance with FCC regulations does not guarantee that interference will not occur in all installations. If this product is found to be the source of interference, which can be determined by turning the product "OFF" and "ON", please try to eliminate the problem by using one of the following measures:

Relocate either this product or the device that is being affected by the interference.

Utilize power outlets that are on different branch (circuit breaker or fuse) circuits or install AC line filter/s.

In the case of radio or TV interference, relocate/reorient the antenna. If the antenna lead-in is 300 ohm ribbon lead, change the lead-in to coaxial type cable.

If these corrective measures do not produce satisfactory results, please contact the local retailer authorized to distribute this type of product. If you can not locate the appropriate retailer, please contact Yamaha Corporation of America 6600 Orangethorpe Ave. Buena Park, CA90622, U.S.A.

### FOR CANADIAN CUSTOMERS

TO PREVENT ELECTRIC SHOCK, MATCH WIDE BLADE OF PLUG TO WIDE SLOT AND FULLY INSERT.

THIS CLASS B DIGITAL APPARATUS COMPLIES WITH CANADIAN ICES-003.

### POUR LES CONSOMMATEURS CANADIENS

POUR ÉVITER LES CHOCs ÉLECTRIQUES, INTRODUIRE LA LAME LA PLUS LARGE DE LA FICHE DANS LA BORNE CORRESPONDANTE DE LA PRISE ET POUSSER JUSQU'AU FOND.

CET APPAREIL NUMÉRIQUE DE LA CLASSE B EST CONFORME À LA NORME NMB-003 DU CANADA.

## We Want You Listening For A Lifetime

YAMAHA and the Electronic Industries Association's Consumer Electronics Group want you to get the most out of your equipment by playing it at a safe level. One that lets the sound come through loud and clear without annoying blaring or distortion – and, most importantly, without affecting your sensitive hearing.

Since hearing damage from loud sounds is often undetectable until it is too late, YAMAHA and the Electronic Industries Association's Consumer Electronics Group recommend you to avoid prolonged exposure from excessive volume levels.



---

## Cautions

Please read the following operating precautions before use:

- When you disconnect the AC adaptor from the AC outlet, hold the plug, not the cord.
- If you plan not to use the YST-MS35Ds for a while, disconnect the AC adaptor from the AC outlet.
- Always disconnect the AC adaptor from the AC outlet before making any connections.
- The YST-MS35Ds do not contain any user serviceable parts. Refer all servicing to your Yamaha dealer.
- **Never open the cabinet.** If a foreign object drops into the set, contact your dealer, and do not use the YST-MS35Ds. Otherwise, you may cause a fire.
- Do not expose the YST-MS35Ds to temperature extremes, direct sunlight, excessive dust, humidity, or vibration.
- Position the YST-MS35Ds on a level, stable surface. Do not drop the YST-MS35Ds, apply excessive force to their controls, or put heavy items on top of them.
- Do not place small metal objects on the speakers. Otherwise, the object may fall, possibly causing an injury.
- To protect the YST-MS35D speakers, avoid microphone feedback, continuous and excessive output from electronic musical instruments, and excessive signal distortion.
- If the YST-MS35Ds are located close to fluorescent or neon lights, a slight hum may be heard. In this case, relocate the YST-MS35Ds away from the light.
- Although the YST-MS35D speakers are magnetically shielded, keep floppy disks and tapes away from them.
- The YST-MS35Ds may cause picture distortion when located close to a television or computer monitor. In this case, move them away a short distance.
- Avoid sources of hum (transformers, motors). To prevent fire or electrical shock, do not expose to rain and water.
- Do not use force on switches, knobs, or cables. When you move the YST-MS35D, first turn off the power to the speakers, then disconnect the AC adaptor from the AC outlet and the cables from the connected devices.
- Always turn the volume control counterclockwise to the minimum before starting to play the audio source: increase the volume gradually to an appropriate level after the playback has started.
- Though this speaker is a magnetically shielded type, there may be some influence on the monitor picture depending on the type of monitor or the placement of the speaker. In such a case, place the speaker further apart from the monitor until there is no influence on the monitor picture.
- When placing the provided AC adaptor on the desk, etc., be sure to fix the adaptor on the desk, etc. to prevent it from falling. If the adaptor falls, it may cause personal injury or damage to the adaptor and/or other equipment.

---

## Table of Contents

<b>Introducing the YST-MS35D Speaker System.....</b>	<b>1</b>	<b>Connecting to a non-USB system.....</b>	<b>8</b>
<b>Controls &amp; Connectors.....</b>	<b>2</b>	<b>Enjoying your YST-MS35D Speaker System .....</b>	<b>8</b>
<b>Installing USB driver .....</b>	<b>3</b>	Adjusting the Volume, Bass, and Treble .....	8
Microsoft Windows 98/98SE or Windows Me .....	4	<b>Troubleshooting.....</b>	<b>9</b>
Microsoft Windows 2000 Professional .....	6	<b>Speaker angle and Non skid pad.....</b>	<b>10</b>
Macintosh computer.....	8	<b>Specifications .....</b>	<b>10</b>

## Introducing the YST-MS35D Speaker System

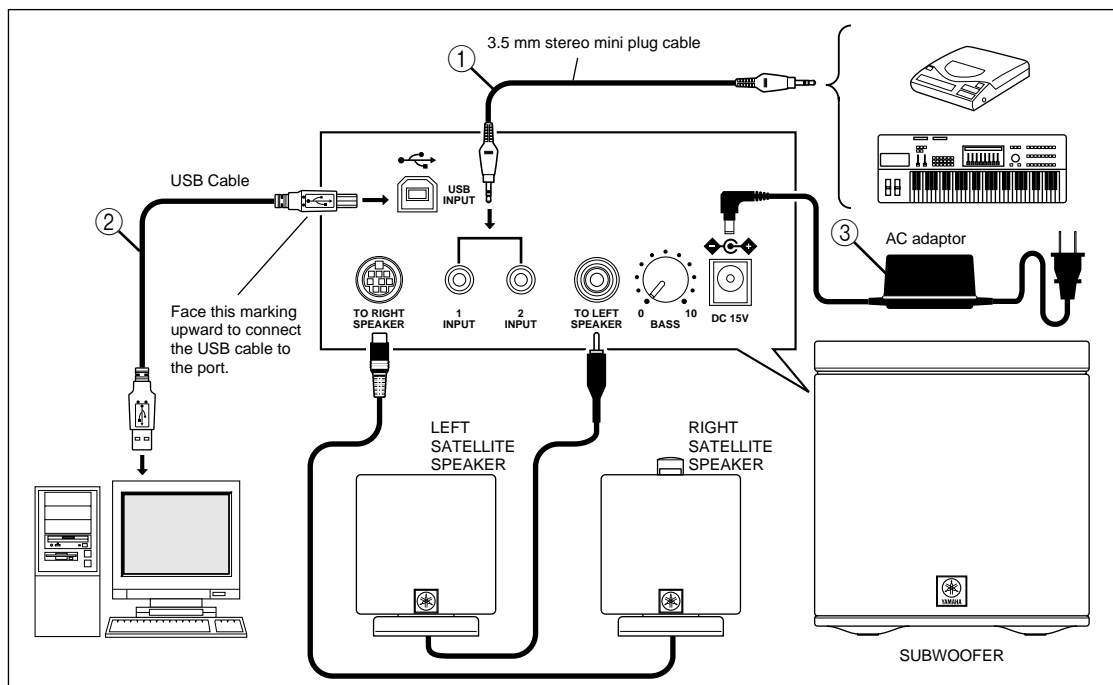
Thank you for purchasing the Yamaha YST-MS35D Powered Multimedia Speakers.

The YST-MS35D Multimedia Speakers utilize Advanced Yamaha Active Servo Technology, which offers exceptionally high performance, allowing these compact speakers to produce a rich bass sound. They also employ USB technology to create a computer-based listening environment that is far superior to conventional multimedia speakers. They reproduce a clearer sound, with less noise and distortion, and never require a soundcard!

The YST-MS35D includes three speaker components: a left satellite speaker, a right satellite speaker, and a subwoofer.

**Note:** Do not connect the PC using the USB cable before installing the USB driver.

Please inspect the package contents thoroughly for damage. If any item is missing or damaged, please contact the dealer from whom you purchased the YST-MS35D.

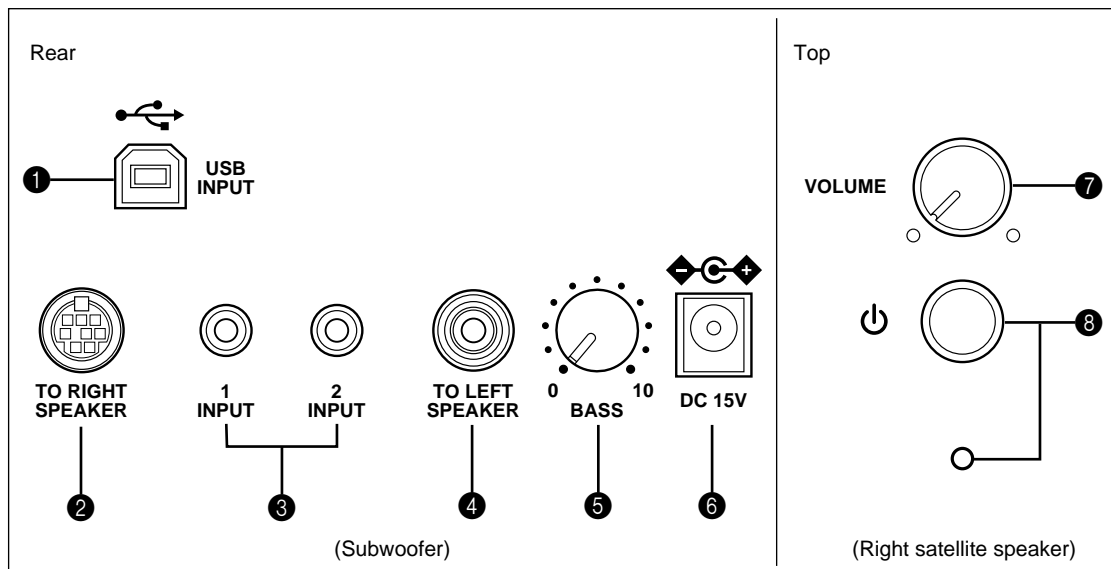


- ① 3.5 mm stereo mini plug cable × 1 (Accessory)
- ② USB cable × 1 (Accessory)
- ③ AC adaptor (PA-M30) × 1 (Accessory)

- The package also contains eight non-skid pads to attach to the bottom of the satellite speakers.

**Warning:** Be sure to use the included AC adaptor. Using another AC adaptor may damage the speakers or cause a fire.

## Controls & Connectors



### 1 USB INPUT

Use the included USB cable to connect this port to the USB port on the computer.

### 2 TO RIGHT SPEAKER

Connect the 8-pin cable from the right satellite speaker to this connector.

### 3 INPUT 1/2

You can input two audio sources to the speaker system from these input jacks. For example, you can connect the output of a CD-ROM player and a personal computer here. The two audio sources are mixed together by the speaker system.

### 4 TO LEFT SPEAKER

Connect the RCA pin plug cable from the left satellite speaker to this connector.

### 5 BASS control

Allows you to adjust the volume level of the subwoofer.

A typical (recommended) setting is the position between one o'clock and two o'clock.

Rotating the control clockwise will increase the volume level, and rotating the control counter-clockwise will decrease the level.

### 6 DC connector

Connect the included AC adaptor to this connector. Press the ⏻ (standby/on) button on the right satellite speaker to turn the power on or standby.

### 7 VOLUME control

Allows you to adjust the volume level of the entire speaker system.

Rotating the control clockwise will increase the volume level, and rotating the control counter-clockwise will decrease the level.

### 8 ⏻ (standby/on) button/indicator

Press this button to turn on the power to the speaker system. Its indicator lights up. Press the button again to turn the speaker system to standby mode.

Before pressing this button, make sure that the VOLUME control setting is lowered. A small electrical current flows through the speaker system even if the standby/on button is turned off.

## Installing USB driver

When connecting this unit and your computer with the USB cable and controlling this unit from the computer, you must install the following software on your computer.

- **USB driver software:** Necessary for this unit to communicate with your computer ..... Use the software originally supplied with the OS (Operating System) running on your computer

This section explains how to install the software. The installation method differs from the OS running on your computer.

Refer to the instructions suitable for your OS below.

- \* This manual uses terms utilized by the English operating system as shown on the computer monitor. If the operating system you are using is in another language, please replace the English terms with the terms used in your computer's operating system.

## Preparations before installation

- Make sure that the USB cable is not connected to this unit and that your computer is not activated.
- Make sure that your computer meets the system requirements listed below.  
If your computer does not meet the system requirements, you can use the computer as an input source by connecting it to the analog or digital input(s) of this unit. In that case, however, the supplied Application Software cannot be used.
- You may be requested to insert your OS's CD-ROM during the installation, so please have it ready before commencing.
- The installing method may differ from the instructions below depending on the operating environment of your computer. In such a case, follow the instructions shown on the monitor. If you still have any question, inquire at the manufacturer of your computer or a computer dealer.

## System requirements

Your computer must meet the following system requirements to use the supplied Application Software.

### Microsoft Windows 98/98SE, Windows Me or Windows 2000 Professional

#### Operating System

Microsoft Windows 98/98SE, Windows Me or Windows 2000 Professional

#### Computer

A computer with a USB port as a standard equipment and preinstalled with the above OS.

Windows is a registered trademark of Microsoft Corporation in the United States and/or other countries.

### Macintosh

#### Operating System

Mac OS 9.0.4 or greater (USB Driver 1.4 or greater)

#### Computer

Macintosh computer with a USB port as a standard equipment

Macintosh is a trademark of Apple Computer, Inc., registered in the U.S. and other countries.

# Installing the software

## Microsoft Windows 98/98SE or Windows Me

### ■ Installing and checking the USB driver

1. Turn on your computer and, if it's not running already, start Windows 98/98SE or Windows Me.

2. Connect the power cord (or AC adaptor) to a suitable AC outlet.

This unit can be on or in standby mode when installing the driver.

3. Connect this unit to a USB port on the computer using the supplied USB cable.

Windows automatically detects this unit and installs the necessary driver software. Make operations as indicated in the dialog box. You may be requested to insert your Windows OS CD-ROM.

\* The installation may take a longer time depending on the system environment. After the installation dialog box disappears, wait several minutes.

Check that the USB driver has been installed successfully by following the procedure below.

4. Click the Windows "Start" button and select "Settings", and then "Control Panel".

The Control Panel window appears.

5. Double-click the "System" icon.

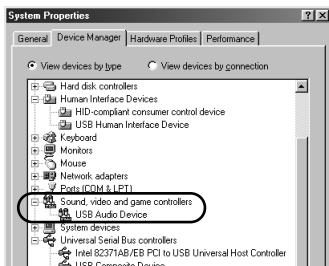
The System Properties window appears.

6. Click the "Device Manager" tab.

The Device Manager window appears.

7. Click the "View devices by type" option button.

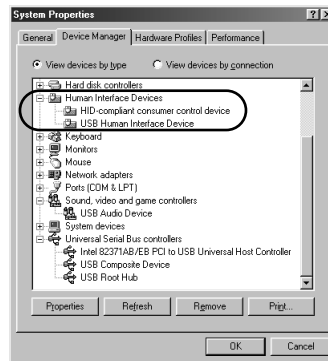
8. Click the "+" symbol next to "Sound, video and game controllers," and make sure that "USB Audio Device" appears in the list, as shown.



\* The screen image is for Windows 98SE.

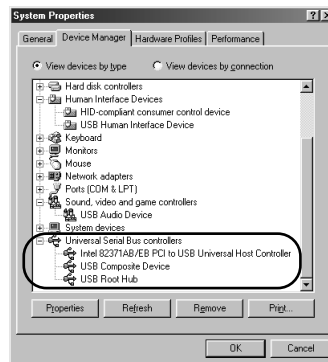
\* When using Windows Me, "?" may be shown at the head of "USB Copposite Device" in green. This means the USB driver has been installed with the Generic ID supplied with the operating system. (This is not an error message.)

9. Click the "+" symbol next to "Human Interface Devices", and make sure that "HID-compliant consumer control device" and "USB Human Interface Device" appear in the list, as shown.



\* The screen image is for Windows 98SE.

10. Click the "+" symbol next to "Universal Serial Bus controllers" and make sure that "USB Composite Device" appears in the list, as shown.



\* The screen image is for Windows 98SE.

### Note:

- The device list on your computer may differ to that shown here.
- If "!" or "?" is shown at the head of the device name, check the followings:
  - \* The USB cable is firmly connected.
  - \* The AC power cord of this unit is plugged into an AC outlet.
- If the driver has not been successfully installed, disconnect the USB cable and connect it again. Then try to install the driver again. If installation still fails, restart Windows and try again.



Make the following settings on your computer after the installation of the driver is finished.

### Setting of Audio and Audio CD

[Windows 98/98SE only]

- Terminate all the activated applications.
  - When using Windows 98SE, restart Windows, first.
1. Click the Windows “Start” button and select “Settings”, and then “Control Panel”.
  2. Double-click the “Multimedia” icon.
  3. Click the “Audio” tab and select “USB Audio Device” at “Preferred device” of “Playback”.
    - \* Usually, this setting is automatically made.
    - \* If “USB Audio Device” does not appear, restart Windows.
  4. Click the “CD Music” tab and select the CD-ROM drive for playing audio CDs.
  5. Click the check box of “Enable digital CD audio for this CD-ROM device” to enter the check mark.
    - \* It may happen that the check box cannot be clicked because some CD-ROM drives cannot be used for playing audio CDs.
  6. Click “OK” and close the “Multimedia” setting panel.
  7. Restart Windows.

**Note:** When using two or more drives, you must make the above setting for each drive.

### Checking the Audio setting

[Windows Me only]

1. Click the Windows Me “Start” button and select “Settings”, and then “Control Panel”.
2. Double-click the “Sounds and Multimedia” icon.
3. Click the “Audio” tab and select “USB Audio Device” at “Preferred device” of “Sound Playback”.
  - \* Usually, this setting is automatically made.
  - \* If “USB Audio Device” does not appear, restart Windows.

### Checking sound output and adjusting volume

[Windows 98/98SE and Windows Me]

1. Make the following operations on the front panel of this unit.
  - a) Press  $\odot$  button to turn on this unit.
  - b) Use the volume control to adjust the volume.
2. Adjust the volume on the computer as follows.
  - a) Double-click the speaker icon on the task tray, or select “Start”, “Programs”, “Accessories”, “Entertainment” in this order and click “Volume Control”.
    - (The volume adjustment window appears.)
  - b) Adjust the volume by dragging the “Volume” slider. Set the slider between the center and max. positions.
    - \* Do not enter the check mark in the “Mute” check box. If entered, sound output will stop.
3. Click the Windows “Start” button and select “Settings”, and then “Control Panel”.
4. Double-click the “Sounds” (or “Sounds and Multimedia”) icon.
5. Click the “Sounds” tab.
6. Check that the sound is output normally by outputting “Default sound”, etc. from “Events” (or “Sound Events”).

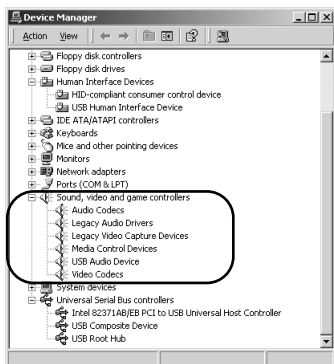
\* If no sound is heard, restart Windows and check again.

## ■ Installing and checking the USB driver

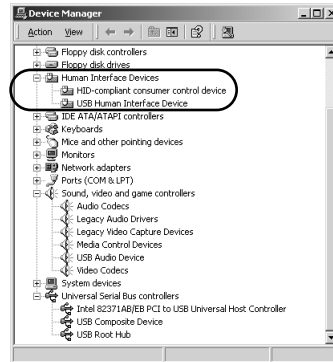
1. Turn on your computer and, if it's not running already, start Windows 2000 Professional, and log in with Administrator.
2. Connect the power cord (or AC adaptor) to a suitable AC outlet.  
This unit can be on or in the standby mode when installing the driver.
3. Connect this unit to a USB port on the computer using the supplied USB cable.  
Windows automatically detects this unit and installs the necessary driver software.  
\* The installation may take a longer time depending on the system environment. After the dialog box for installation disappears, wait several minutes.

Check that the USB driver has been installed successfully by following the procedure below.

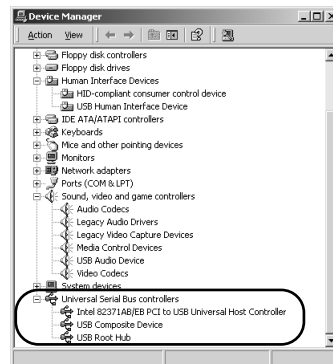
4. Click the Windows "Start" button and select "Settings", and then "Control Panel".  
The Control Panel window appears.
5. Double-click the "System" icon.  
The System Properties window appears.
6. Select the "Hardware" tab, and click the "Device Manager".  
The Device Manager window appears.
7. Select the "View" tab, and click the "Devices by type" option button.
8. Click the "+" symbol next to "Sound, video and game controllers," and make sure that "USB Audio Device" appears in the list, as shown.



9. Click the "+" symbol next to "Human Interface Devices", and make sure that "HID-compliant consumer control device" and "USB Human Interface Device" appear in the list, as shown.



10. Click the "+" symbol next to "Universal Serial Bus controllers" and make sure that "USB Composite Device" appears in the list, as shown.



### Note:

- The device list on your computer may differ to that shown here.
- If "!" or "?" is shown at the head of the device name, check the followings:
  - \* The USB cable is firmly connected.
  - \* The AC power cord of this unit is plugged into an AC outlet.
- If the driver has not been successfully installed, disconnect the USB cable and connect it again. Then try to install the driver again. If installation still fails, restart Windows and try again.

Make the following settings on your computer after the installation of the driver is finished.

### Setting of Audio and Audio CD

1. Click the Windows “Start” button and select “Settings”, and then “Control Panel”.
2. Double-click the “Sounds and Multimedia” icon.
3. Click the “Audio” tab and select “USB Audio Device” at “Preferred device” of “Sound Playback”.  
\* Usually, this setting is automatically made.
4. Click the “Hardware” tab and double-click the item of the DVD or CD-ROM to be used in the “Devices”.
5. Click the “Properties” tab, and click the check box of “Enable digital CD audio for this CD-ROM device” to enter the check mark.  
\* It may happen that the check box cannot be clicked because some CD-ROM drives cannot be used for playing audio CDs.
6. Restart Windows, and log in with Administrator.

**Note:** When using two or more drives, you must make the above setting for each drive.

### Checking sound output and adjusting volume

1. Make the following operations on the front panel of this unit.
  - a) Press  $\odot$  button to turn on this unit.
  - b) Use the volume control to adjust the volume.
2. Adjust the volume on the computer as follows.
  - a) Double-click the speaker icon on the task tray, or select “Start”, “Programs”, “Accessories”, “Entertainment” in this order and click “Volume Control”.  
(The volume adjustment window appears.)
  - b) Adjust the volume by dragging the “Volume” slider. Set the slider between the center and max. position.  
\* Do not enter the check mark in the “Mute” check box. If entered, sound output will stop.
3. Click the Windows “Start” button and select “Settings”, and then “Control Panel”.
4. Double-click the “Sounds and Multimedia” icon.
5. Click the “Sounds” tab.
6. Check that the sound is output normally by outputting “Default Beep”, etc. from “Sound Events”.  
  
\* If no sound is heard, restart Windows and check again.

### ■ Connections and setup

1. **Connect the power cord (or AC adaptor) to a suitable AC outlet.**
2. **Start the Macintosh.**
3. **Connect this unit to a USB port on the computer using the supplied USB cable.**  
The driver software for USB audio is automatically installed.
4. **Press  $\odot$  button to turn on this unit.**

#### Checking sound output and adjusting volume

1. **Make the following operations on the front panel of this unit.**
  - a) Press  $\odot$  button to turn on this unit.
  - b) Use the volume control to adjust the volume.
2. **Check that the sound is output normally by outputting “Alert Sounds”, etc. from “Sound” on the “Control Panels” on the Macintosh.**
3. **Adjust the volume by dragging the “Sound” tab on the “Control Panels”. Set the tab between the center and max. position.**

#### Note:

- The sound output destination cannot be changed from “Choose a device for sound output” on the “Control Panels”. When using the internal speaker of the Macintosh as the sound output destination, disconnect the USB cable connecting this unit and the Macintosh.
- When using headphones with this unit connected to the USB port on the Macintosh, use the headphone jack on this unit, not the jack on the Macintosh.
- Since the Macintosh issues a start-up sound at power-on before the sound signal via the USB connection is activated, the start-up sound cannot be issued via the USB connection. To play the start-up sound via this unit, you need a separate analog connection between this unit and the Macintosh. (When USB MIX is set to “ON” from the Setup Panel of the Application Software, you can mix the start-up sound via the analog connection with the same sound via the USB connection without making any change in the input selector settings.)

---

## Connecting to a non-USB system

You can input analog audio signals into Inputs 1 and 2 (3.5 mm stereo mini plug input jacks) on the rear of subwoofer and use the YST-MS35D system like conventional multimedia speakers. (For example, you can connect the outputs from a soundcard.)

Some games software does not support USB. In this case, instead of using the USB connection, connect Input 1 or 2 on the rear of subwoofer to the audio output jack on your computer using a 3.5 mm stereo mini plug cable, and specify your card type. (For more information on setting, consult your computer manual or computer dealer.)

---

## Enjoying your YST-MS35D Speaker System

---

### Adjusting the Volume, Bass, and Treble

First adjust the volume levels, bass, and treble using software controls (such as the Windows 98 Volume Control panel). After adjustment, use the VOLUME control on the right speaker to set the volume level of the speakers.

## Troubleshooting

Refer to the chart below if this system does not function properly. If the problem you are experiencing is not listed below or if the instructions given below do not help, disconnect the AC adaptor and contact your authorized YAMAHA dealer or service center.

PROBLEM	CAUSE	REMEDY
The speakers are recognized as an "unknown device" by the computer.	The USB cable is not connected securely.	Remove the USB cable from the speaker and computer, then re-connect it securely. Also, turn off and on the power to the speakers.
	You did not complete the USB Driver Install procedure correctly.	Turn off the power to the speakers, remove the USB cable, then turn on the power to the speaker again. If the USB Driver is still not recognized, re-install it.
No sound comes from the speakers.	The AC adaptor is not properly plugged into the AC outlet.	Insert the AC adaptor firmly into the AC outlet.
	The $\phi$ (standby/on) button is turned off or the AC adaptor is not plugged into the AC outlet and the DC connector completely.	Plug the AC adaptor completely into the AC outlet and DC connector, then turn on the $\phi$ (standby/on) button.
	The volume is set to minimum.	Turn the speaker VOLUME control to the right to increase the volume.
	The level of the input signal is too low.	Turn up the volume on the connected device.
	Connections are faulty or incomplete.	Make the connections again, firmly, or use a different cable.
	You are using a slow-speed USB cable.	Make sure you use the USB cable included in the package or an equivalent high-speed USB cable.
Playback sound is interrupted.	Playback is affected by other open applications.	Close other open applications.
Sound is distorted.	The level of the input signal is too high.	Turn down the volume on the connected device.
Noise.	Connections are faulty or incomplete.	Make the connections again, firmly, or use a different cable.

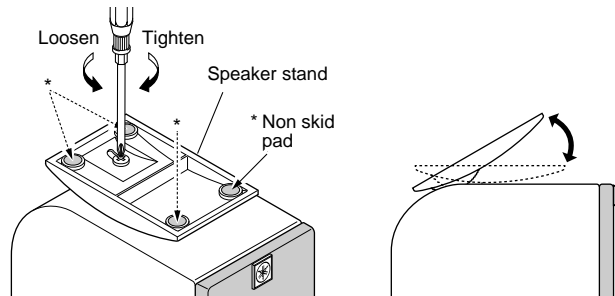
**Note 1:** USB ports are delicate. Handle them with care. Do not insert USB plugs forcefully or you may damage the port.

**Note 2:** For more information on issues related to OS, consult the your computer manual or your computer dealer.

## Speaker angle and Non skid pad

You can adjust the speaker angle. Loosen the screw on the bottom of the speaker stand as shown in the figure, adjust the angle of the stand, and tighten the screw to fix the stand.

To prevent the speakers from sliding around, attach the supplied pads to the four points on the bottom of each satellite speaker. Place the speaker on a stable, flat surface.



## Specifications

<b>Type</b>	Advanced Yamaha Active Servo Technology
<b>Driver</b>	Satellite ..... 5 cm (2") cone, magnetic shielding Subwoofer ..... 12 cm (5") cone, magnetic shielding
<b>Output power</b>	Satellite ..... 6 W + 6 W (1 kHz, 4Ω at T.H.D.=10%) Subwoofer ..... 18 W (100 Hz, 4Ω at T.H.D.=10%)
<b>Input sensitivity</b>	200 mV (1 kHz, 4Ω at 6 W)
<b>Input impedance</b>	20 kΩ
<b>Frequency response</b>	45 Hz to 20 kHz (Satellite + Subwoofer)
<b>Crossover Frequency</b>	Satellite/Subwoofer 180 Hz
<b>Input jack</b>	3.5 mm stereo mini jack for audio-signal × 2 USB digital × 1
<b>Power supply</b> (AC adaptor)	U.S.A. and Canada models ..... AC 120 V, 60 Hz Australia model ..... AC 240 V, 50 Hz U.K. and Europe models ..... AC 230 V, 50 Hz
<b>Dimensions (W × H × D)</b>	Satellite speakers ..... 65 (2.6") × 75 (3") × 119 (4.7") mm Subwoofer ..... 183 (7.2") × 196 (7.7") × 183 (7.2") mm
<b>Weight</b>	Satellite speakers ..... Right: 0.45 kg (1 lb.), Left: 0.36 kg (13 oz.) Subwoofer ..... 2.3 kg (5 lbs. 1 oz.)
<b>Accessories</b>	AC adaptor (PA-M30) × 1 3.5 mm stereo mini plug cable × 1 (1.8 m) USB cable × 1 (2 m) 8 pcs of non skid pads × 1 set

\* Specifications subject to change without notice.

Please contact an authorized Yamaha dealer for more information on this product or connections to your computer.

