

YAMAHA

LG80 • LG60

EXTENSION STAND

Thank you for purchasing the Yamaha LG60, LG80 Extension Stand. This extension stand enables you to conveniently play two keyboards, or to position equipment such as the TX7 or QX7 for easy access during live performances. You may use the Extension Stand alone, or together with a base stand. (Yamaha LG100, LG200)

To enjoy long and trouble-free use of the LG60/80, please read this manual carefully.

このたびは、ヤマハ スタンドセット LG60, LG80をお買い求め頂きまして、まことにありがとうございます。

このスタンドセットは、キーボード2台をまたは、キーボードとTX7, QX7等の周辺機器を上下2段にセットして演奏することができます。またベーススタンド (YAMAHA LG100, LG200) との組み合わせのほか、このスタンドセット単体でもご使用頂けます。

末長くご愛用いただくために、ご使用前に必ずこの取扱説明書をよくお読み下さい。

TABLE OF CONTENTS

Features	1
Precautions	1
Parts common to both LG60 and LG80	2
Assembly	2
Rail attachment dimensions	4
Load combinations	4
Specifications	4

目 次

特 長.....	5
ご使用の前に.....	5
同梱部品.....	6
組立て方.....	6
レール取付寸法.....	8
推奨コンビネーション.....	8
仕 様.....	8

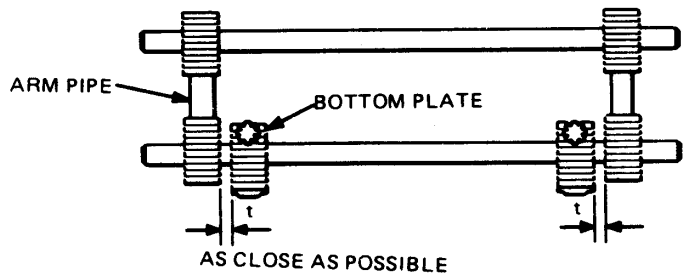
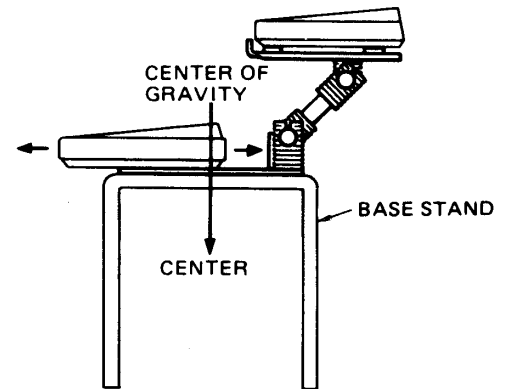
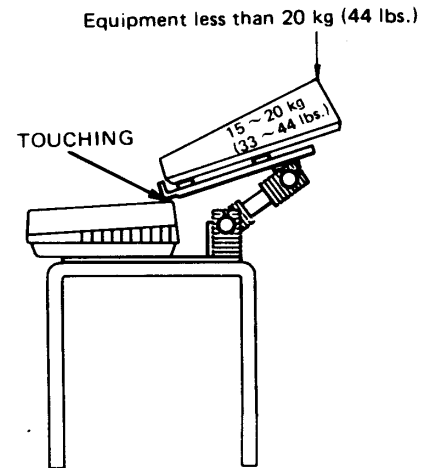
FEATURES

- ★This extension stand will accommodate all Yamaha Digital Keyboards (except PF10, 15 and DX1)
- ★The height and angle of the upper keyboard are fully adjustable.
- ★By adding an optional Arm Plate (LGA1), you may attach other equipment besides a keyboard.

PRECAUTIONS

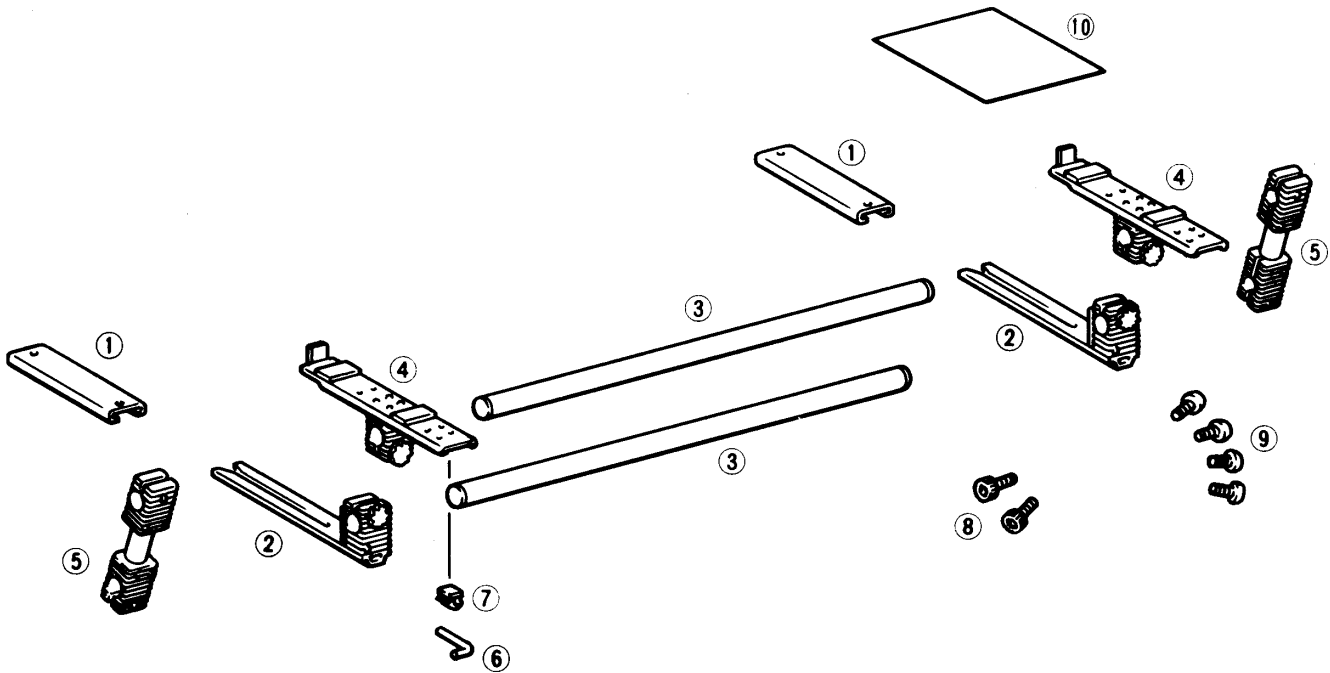
Since the position of the upper equipment in relation to the lower keyboard is fully adjustable, please be careful of the following points.

1. Make sure that the equipment you set on the upper level is lighter than the lower keyboard. Also, never place a load of more than 20 kg (44 lbs.) on the upper level.
2. If you place a keyboard weighing more than 15 kg (33 lbs.) on the upper level, adjust it so that the lower keyboard supports part of the weight. (see diagram)
3. When you use the extension stand with a base stand, make sure that the combined center of gravity is in the center of the base stand. (Adjust the center of gravity by sliding the lower keyboard on the rails.)
4. Position the arm pipe and the bottom plate as close together as possible. If there is a wide gap (t), the pipe may twist.
5. When taking apart your two-level setup, always remove the top keyboard first. (If you remove the lower keyboard first, the stand will fall over backwards.)



PARTS COMMON TO BOTH THE LG80 AND LG60

The LG60 and LG80 have the same parts, as in the diagram.

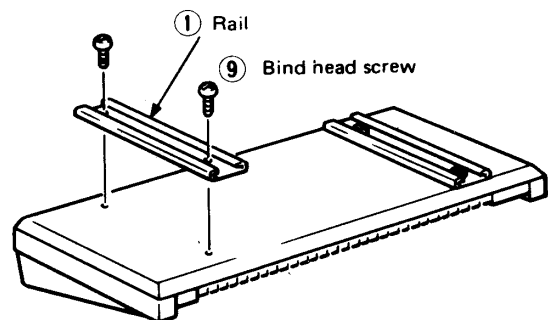


Number	Part name	Pieces	Number	Part name	Pieces
①	Rail	2	⑥	Hex wrench	1
②	Bottom plate	2	⑦	Hex wrench holder	1
③	CP pipe	2	⑧	Hex bolt (rail fastening)	2
④	Arm plate (LGA1)	2	⑨	Bind head screw (rail attaching)	4
⑤	Arm pipe	2	⑩	Instruction manual	1

ASSEMBLY

1. Using the four included bind head screws ⑨ attach the rails ① to the bottom of the lower keyboard.

Note: When attaching rails to the DX7 or DX9, remove the four rubber feet and use those screw holes. On the bottom of the DX5 and KX88, there screw holes to attach the rails.

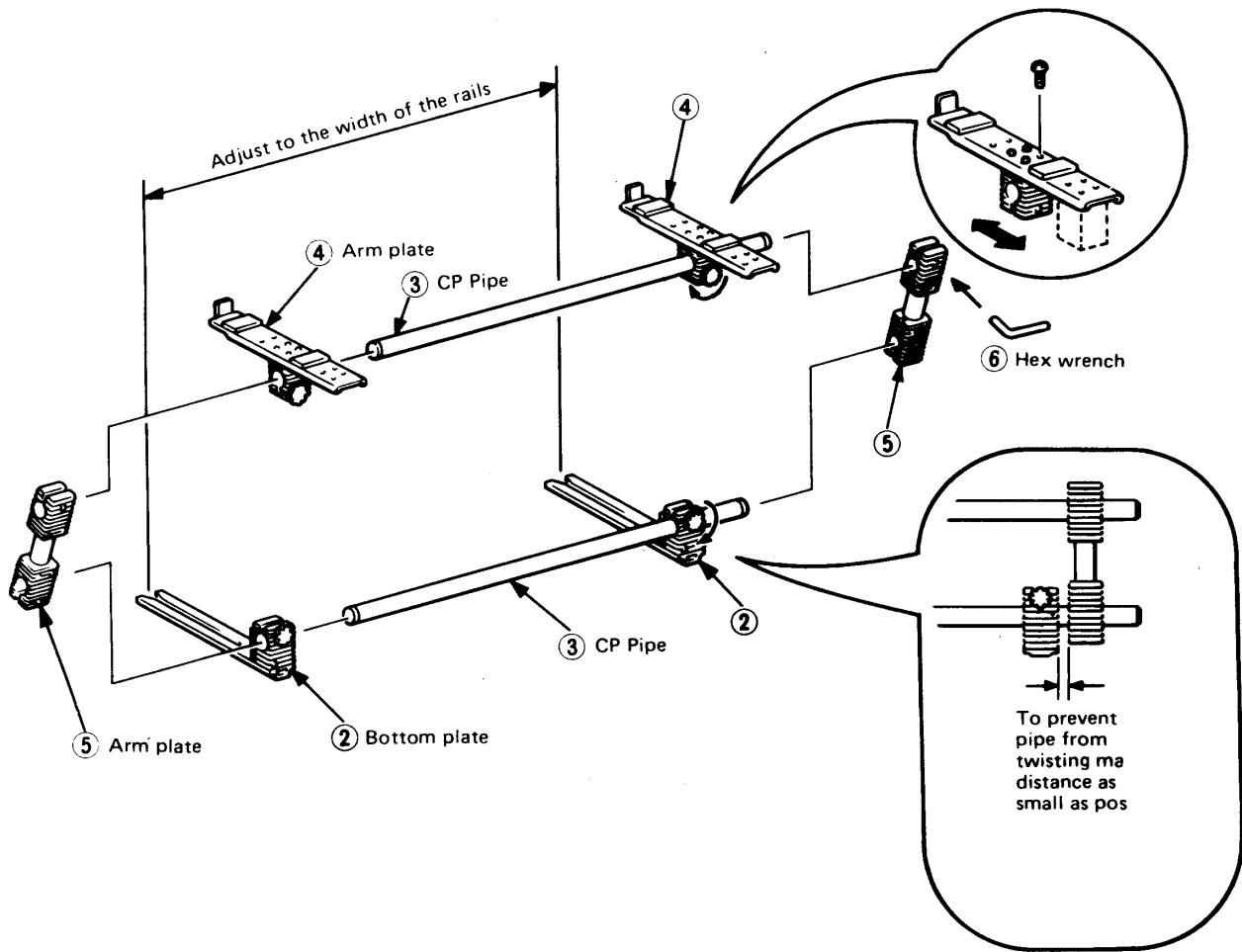


2. Attach the bottom plates ② to a CP pipe ③ . Adjust the bottom plates ② to the same spacing as the rails ① on the lower keyboard, and tighten the knobs.

3. Attach the arm plates ④ to the other CP pipe ③ . Adjust the spacing of the upper arm plates ④ to fit the upper keyboard, and tighten the knobs.

Note: Don't overtighten the knobs. You may deform the CP pipe.

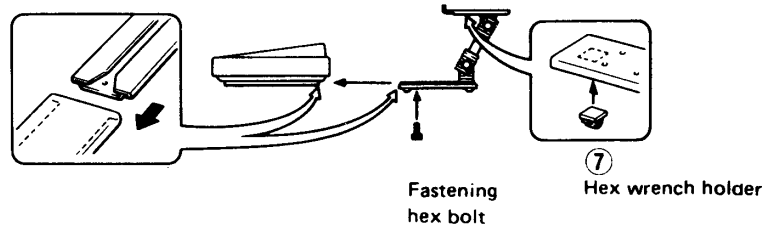
4. Using the pipe arms, connect the two CP pipe ③ assemblies from steps 2 and 3. Tighten the pipe arms ⑤ using the included hex wrench ⑥ .



5. Slide the assembled stand onto the rails ① in step 1. Then, using the two included hex bolt ⑧ , fasten the stand to the rails ① so it does not move.

Note: When setting this on a base stand, adjust the position so that the center of gravity is directly over the middle of the base stand.

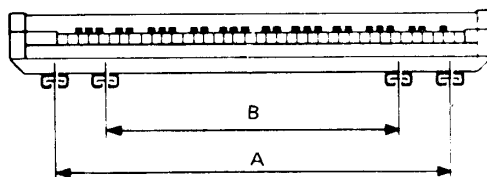
6. It is convenient to attach the hex wrench holder ⑦ to the underside of one of the arm plates ④ .



Please read "PRECAUTIONS" before the equipment you set on the upper level.

RAIL ATTACHMENT DIMENSIONS

Equipment on lower level	DX7, 9	DX5	KX88
A dimension	758 (29-7/8)	1080 (42-1/2)	1091 (42-15/16)
B dimension	850 (33-1/2)
Base stand	LG100	LG200	LG100



Unit: mm (inch)

LOAD COMBINATIONS

		Upper Level							
		TX7 QX7 2.5 kg (51 lbs. 8 oz.)	QX1 7.5 kg (16 lbs. 9 oz.)	TX816 12.0 kg (26 lbs. 7 oz.)	RX11 RX15 3.0 kg (6 lbs. 10 oz.)	CX5M 2.0 kg (4 lbs. 7 oz.)	DX9 12.0 kg (26 lbs. 7 oz.)	DX7 14.2 kg (31 lbs. 5 oz.)	DX5 19.0 kg (41 lbs. 14 oz.)
Lower Level	DX9 12.0 kg (26 lbs. 7 oz.)	⊙	⊙	X	⊙	⊙	○	X	X
	DX7 14.2 kg (31 lbs. 5 oz.)	⊙	⊙	⊙	⊙	⊙	○	X	
	DX5 19.0 kg (41 lbs. 14 oz.)	⊙	⊙	⊙	⊙	⊙	⊙	⊙	X
	KX88 28.5 kg (62 lbs. 13 oz.)	⊙	⊙	⊙	⊙	⊙	⊙	⊙	⊙

Setting examples using four LGA1 arm plates.

- | | | | |
|---|--|---|--|
| a | TX7
QX7, CX5M
LG60
DX7 (DX5) | b | TX7, RX15
LG60
DX7 (DX5) |
| c | QX1, TX816
LG80
KX88 | d | QX7
DX7, TX7
LG80
KX88 |
| e | DX7, QX7
LG80
DX5 | f | DX7, RX11
LG80
DX5 |

X: This load combination is not safe.

○: Since the weight of the upper and lower equipment is the same, be careful not to tip it over.

⊙: Recommended load combination.

SPECIFICATIONS

* LOAD CAPACITY

20 kg (arm pipes horizontal)

* WEIGHT

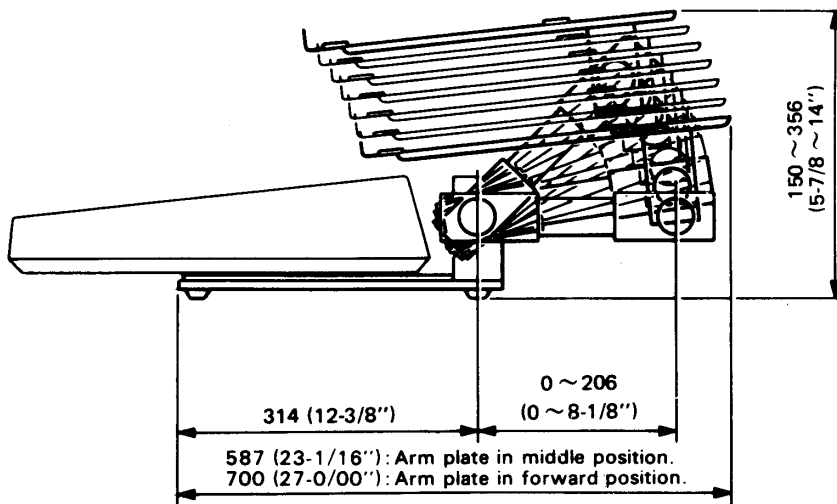
LG60 6 kg (132 lbs. 4 oz.)

LG80 6 kg (132 lbs. 4 oz.)

* PIPE LENGTH

LG60 1077 mm (42-3/8")

LG80 1370 mm (53-15/16")



Unit: mm (inch)

