

NS-B210

NS-C210

Speaker
Enceinte

OWNER'S MANUAL
MODE D'EMPLOI
BEDIENUNGSANLEITUNG
MANUAL DE INSTRUCCIONES
ИНСТРУКЦИЯ ПО ЭКСПЛУАТАЦИИ
使用说明书

Thank you for selecting this YAMAHA product.

PRECAUTIONS

Read this before using the speaker.

- To assure the finest performance, please read this manual carefully. Keep it in a safe place for future reference.
- Install the speaker in a cool, dry, clean place - away from windows, heat sources, sources of excessive vibration, dust, moisture and cold. Avoid sources of electrical noise (transformers, motors). To prevent fire or electrical shock, do not expose this unit to rain or water.
- To prevent the enclosure from warping or discoloring, do not place the speaker where it will be exposed to direct sunlight or excessive humidity.
- Do not place the following objects on the speaker:
Glass, china, small metallic etc.
If glass, etc., falls as a result of vibration and breaks, it may cause personal injury.
A burning candle, etc.
If the candle falls as a result of vibrations, it may cause fire and personal injury.
A vessel with water in it
If the vessel falls as a result of vibrations and water spills, it may cause damage to the speaker, and/or you may get an electric shock.
- Do not place the speaker where foreign material such as dripping water. It might cause fire, damage to this unit, and/or personal injury.
- Do not place the speaker where it is liable to be knocked over or struck by falling objects. Stable placement will also ensure better sound performance.
- Placing the speaker on the same shelf or rack as the turntable can result in acoustical feedback.
- Never put a hand or a foreign object into the port located on the rear of the speaker, as this might cause personal injury and/or damage to the speaker.
- When moving the speaker, do not hold the port, as it might cause personal injury and/or damage to the speaker.
- Any time you notice distortion, reduce the volume control on your amplifier. Never allow your amplifier to be driven into "clipping." Otherwise the speaker may be damaged.
- When using an amplifier with a rated output power higher than the nominal input power of the speaker, care should be taken never to exceed the speaker's maximum input.
- Do not attempt to clean the speaker with chemical solvents, as this might damage the finish. Use a clean, dry cloth.
- Do not attempt to modify or repair the speaker. Contact qualified YAMAHA service personnel when any service is needed. The cabinet should never be opened for any reasons.
- **Secure placement and installation is the owner's responsibility. YAMAHA shall not be liable for any accident caused by improper placement or installation of speakers.**

Information for Users on Collection and Disposal of Old Equipment



This symbol on the products, packaging, and/or accompanying documents means that used electrical and electronic products should not be mixed with general household waste.

For proper treatment, recovery and recycling of old products, please take them to applicable collection points, in accordance with your national legislation and the Directives 2002/96/EC.

By disposing of these products correctly, you will help to save valuable resources and prevent any potential negative effects on human health and the environment which could otherwise arise from inappropriate waste handling.

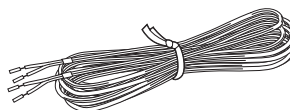
For more information about collection and recycling of old products, please contact your local municipality, your waste disposal service or the point of sale where you purchased the items.

[Information on Disposal in other Countries outside the European Union]

This symbol is only valid in the European Union. If you wish to discard these items, please contact your local authorities or dealer and ask for the correct method of disposal.

SUPPLIED ACCESSORIES

NS-B210

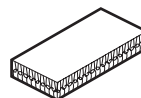


Speaker cable (10m x 1)

NS-C210



Speaker cable (4m x 1)



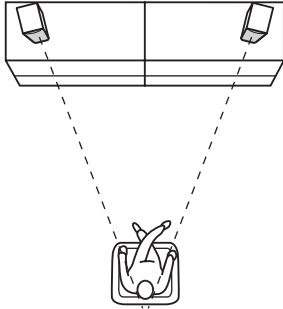
Fastener x 2

PLACING THE SPEAKERS

For NS-B210

Using as 2ch stereo speakers

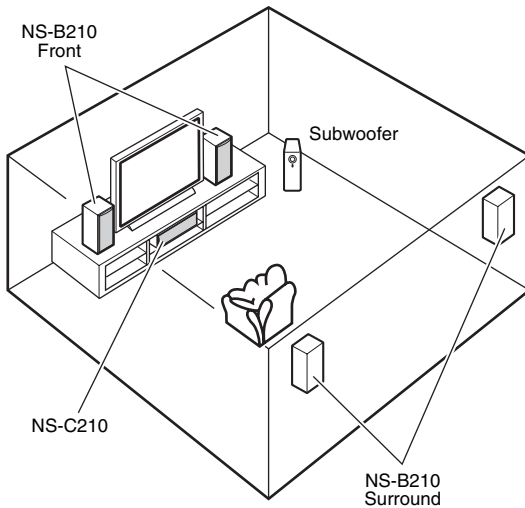
Better stereo images will be obtained when the speakers are slightly angled in towards the listeners.



Using as front speakers and surround speakers in a surround system

Position the speakers on both sides of the TV. The positioning of speakers is important, since this dictates the overall sound quality of the surround system. Set up the speakers on the basis of your listening position by following the owner's manual supplied with your amplifier.

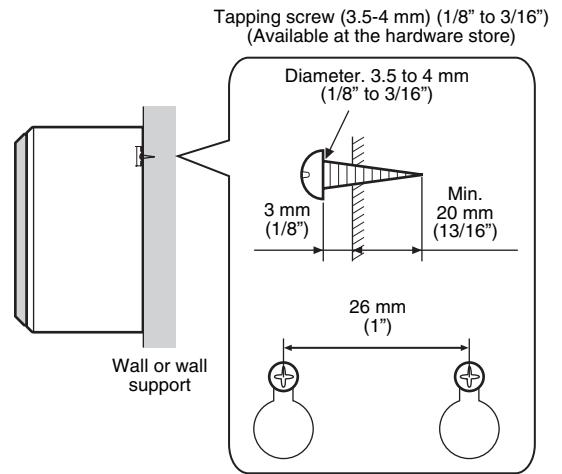
And mount the speakers on a wall or place the speakers on a shelf. Determine the best position by following the owner's manual supplied with your amplifier.



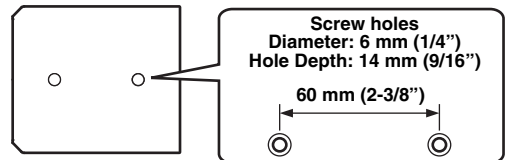
To mount the speakers on a wall by using the attached mounting bracket

Fasten screws into a firm wall or wall support as shown in the figure, and hang the holes of the mounting bracket on the protruding screws.

* Make sure that the screws are secured in the narrow sections of the holes.



You can also use the screw holes on the bottom of the speaker for installing the speaker using a commercially available speaker bracket (if you do not use the attached mounting bracket).



Note

Placing this unit too close to a CRT TV set might impair picture color or create a buzzing noise. Should this happen, move the speaker away (more than 20 cm (7-7/8\")) from the TV set.

When using a PDP or LCD TV, it would not happen.

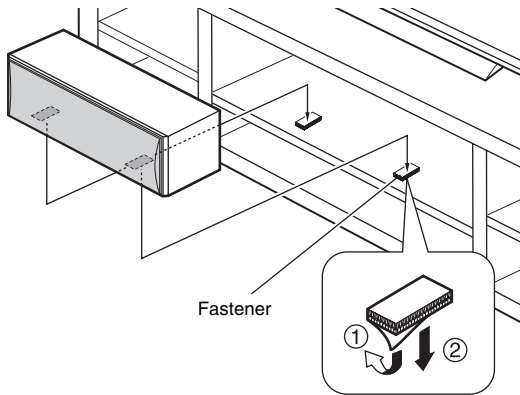
WARNING

- NS-B210 weighs 1.6 kg (3 lbs. 8 oz.). Do not mount it on thin plywood or a wall with soft surface material. If mounted, the screws may come out and the speaker may fall. This may damage the speaker, or cause personal injury.
- Do not install the speaker on a wall with nails, adhesives, or any other unstable hardware. Long term use and vibrations may cause it to fall.
- To avoid accidents resulting from tripping over loose speaker cables, fix them securely to the floor or wall.

For NS-C210

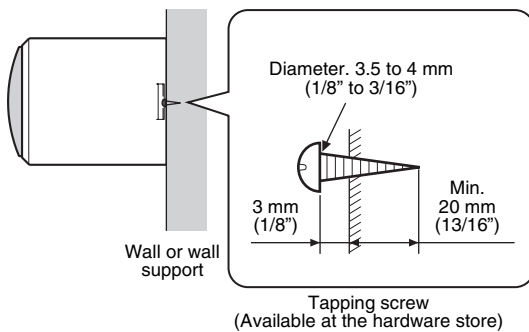
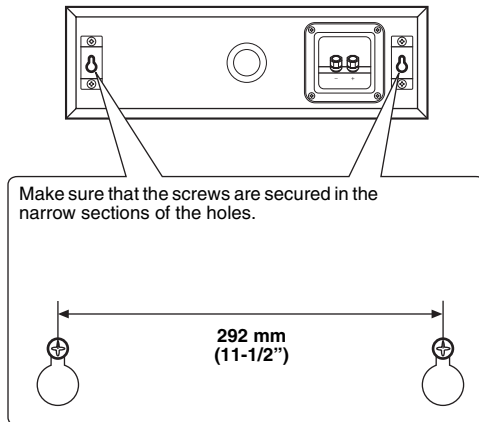
■ Using as center speaker

Place the speaker on a TV rack or other stable surface. To prevent the speaker from falling down, attach the fasteners provided in each corner of the speaker's underside.



■ To mount the speakers on a wall by using the attached mounting bracket

Fasten screws into a firm wall or wall support as shown in the figure, and hang the holes of the mounting bracket on the protruding screws.



Note

Placing this unit too close to a CRT TV set might impair picture color or create a buzzing noise. Should this happen, move the speaker away (more than 20 cm (7-7/8")) from the TV set.

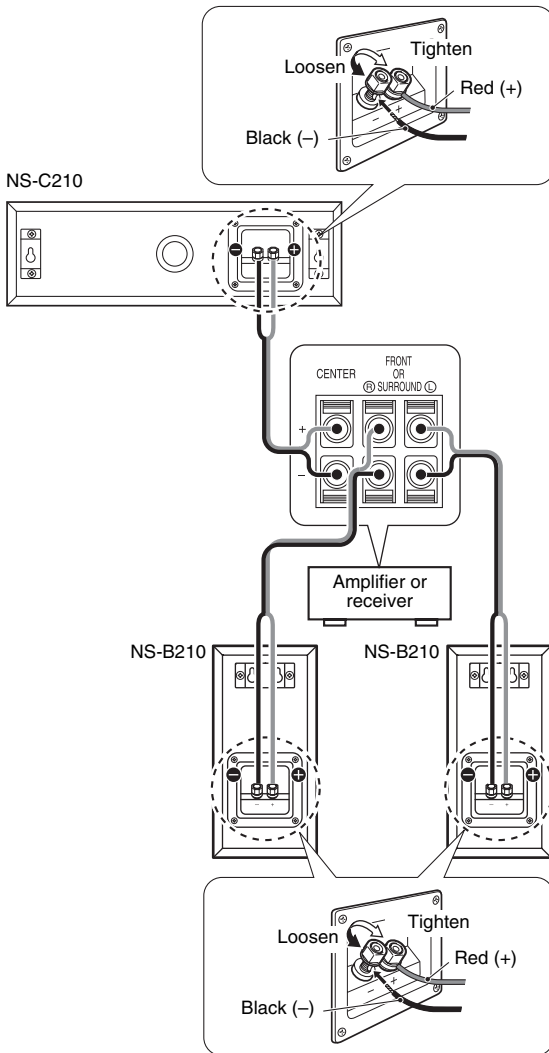
When using a PDP or LCD TV, it would not happen.

WARNING

- NS-C210 weighs 2 kg (4 lbs. 7 oz.). Do not mount it on thin plywood or a wall with soft surface material. If mounted, the screws may come out and the speaker may fall. This may damage the speaker, or cause personal injury.
- Do not touch the adhesive surface after peeling off the seal as this will weaken its adhesive strength.
- Thoroughly wipe clean the surface where the fasteners are to be attached. Note that adhesive strength is weakened if the surface is dirty, oily or wet, and that this may cause the center speaker to drop.
- Do not install the speaker on a wall with nails, adhesives, or any other unstable hardware. Long term use and vibrations may cause it to fall.
- To avoid accidents resulting from tripping over loose speaker cables, fix them securely to the floor or wall.

CONNECTIONS TO YOUR AMPLIFIER

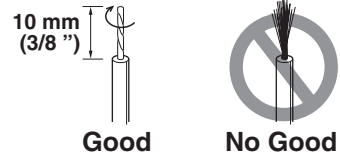
Before making connections, make sure that the amplifier is switched off.



- Connect the screw-type input terminals at the rear of the speakers to the speaker output terminals of the amplifier (or receiver) with the speaker cable.
- Connect the (+) terminals on the amplifier (or receiver) to the (+) terminal of each speaker, making sure to confirm the color-coded wire of the cable at each end. Use the other wire of the cable to connect the (-) terminals of the components.
- Connect one speaker to the left (marked L) terminals of your amplifier, and another speaker to the right (marked R) terminals, making sure not to reverse the polarity (+, -). If one speaker is connected with reversed polarity the sound will be unnatural and lack bass.

How to connect

- 1 Loosen the knob.
- 2 Remove 10 mm (3/8") of insulation from each end of the cables, and twist the exposed conductors together neatly and tightly, as shown below.



- 3 Insert the bare wire.
- 4 Tighten the knob and secure the cables. Test the firmness of the connection by pulling lightly on the cables at the terminal.

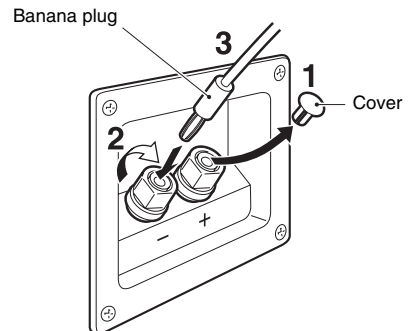
Notes

- Do not let the bare speaker wires touch each other as this could damage the speaker or the amplifier, or both.
- Do not insert the insulation into the hole. Sound may not be produced.

When using a banana plug

Note

Do not take off this cover unless using a banana plug.



- 1 Remove the cover by pulling it toward you.
- 2 Tighten the terminal knob.
- 3 Simply insert the banana plug into the terminal.

SPECIFICATIONS

NS-B210

Type full-range acoustic suspension speaker system
Non-Magnetic shielding type
Driver 8 cm (3-1/8") full-range × 2
Impedance 6 Ω
Frequency Response 75 Hz to 35 kHz (-10 dB)
to 50 kHz (-30 dB)
Nominal Input Power 40 W
Maximum Input Power 120 W
Sensitivity 86 dB/2.83 V/m
Dimensions (W × H × D) 105 × 215 × 132 mm
(4-1/8" × 8-7/16" × 5-3/16")
Weight 1.6 kg (3 lbs. 8 oz.)

NS-C210

Type 2-way bass reflex speaker system
Non-Magnetic shielding type
Driver 8 cm (3-1/8") cone woofer × 2
2.2 cm (1") balanced dome tweeter
Impedance 6 Ω
Frequency Response 65 Hz to 45 kHz (-10 dB)
to 100 kHz (-30 dB)
Nominal Input Power 40 W
Maximum Input Power 120 W
Sensitivity 86 dB/2.83 V/m
Crossover Frequency 8 kHz
Dimensions (W × H × D) 340 × 105 × 132 mm
(13-3/8" × 4-1/8" × 5-3/16")
Weight 2 kg (4 lbs. 7 oz.)

- Specifications subject to change without notice due to product improvements.
- Care should be taken not to exceed the input power values noted above.

Taking care of the speaker

When you wipe this unit, do not use chemical solvents (e.g., alcohol or thinners, etc.): this might damage the finish. Use a clean, dry cloth. For difficult soils, dampen a soft cloth in water, wring it out, and then wipe with the cloth.

(For polish-finished model) Bumping the surface of the instrument with metal, porcelain, or other hard objects can cause the finish to crack or peel. Use caution.

Limited Guarantee for European Economic Area (EEA) and Switzerland

Thank you for having chosen a Yamaha product. In the unlikely event that your Yamaha product needs guarantee service, please contact the dealer from whom it was purchased. If you experience any difficulty, please contact Yamaha representative office in your country. You can find full details on our website (<http://www.yamaha-hifi.com/> or <http://www.yamaha-uk.com/> for U.K. resident).

The product is guaranteed to be free from defects in workmanship or materials for a period of two years from the date of the original purchase. Yamaha undertakes, subject to the conditions listed below, to have the faulty product or any part(s) repaired, or replaced at Yamaha's discretion, without any charge for parts or labour. Yamaha reserves the right to replace a product with that of a similar kind and/or value and condition, where a model has been discontinued or is considered uneconomic to repair.

Conditions

1. The original invoice or sales receipt (showing date of purchase, product code and dealer's name) MUST accompany the defective product, along with a statement detailing the fault. In the absence of this clear proof of purchase, Yamaha reserves the right to refuse to provide free of charge service and the product may be returned at the customer's expense.
2. The product MUST have been purchased from an AUTHORISED Yamaha dealer within the European Economic Area (EEA) or Switzerland.
3. The product must not have been the subject of any modifications or alterations, unless authorised in writing by Yamaha.
4. The following are excluded from this guarantee:
 - a. Periodic maintenance and repair or replacement of parts due to normal wear and tear.
 - b. Damage resulting from:
 - (1) Repairs performed by the customer himself or by an unauthorised third party.
 - (2) Inadequate packaging or mishandling, when the product is in transit from the customer. Please note that it is the customer's responsibility to ensure the product is adequately packaged when returning the product for repair.
 - (3) Misuse, including but not limited to (a) failure to use the product for its normal purpose or in accordance with Yamaha's instructions on the proper use, maintenance and storage, and (b) installation or use of the product in a manner inconsistent with the technical or safety standards in force in the country where it is used.
 - (4) Accidents, lightning, water, fire, improper ventilation, battery leakage or any cause beyond Yamaha's control.
 - (5) Defects of the system into which this product is incorporated and/or incompatibility with third party products.
 - (6) Use of a product imported into the EEA and/or Switzerland, not by Yamaha, where that product does not conform to the technical or safety standards of the country of use and/or to the standard specification of a product sold by Yamaha in the EEA and/or Switzerland.
 - (7) Non AV (Audio Visual) related products.
(Products subject to "Yamaha AV Guarantee Statement" are defined in our website at <http://www.yamaha-hifi.com/> or <http://www.yamaha-uk.com/> for U.K. resident.)
5. Where the guarantee differs between the country of purchase and the country of use of the product, the guarantee of the country of use shall apply.
6. Yamaha may not be held responsible for any losses or damages, whether direct, consequential or otherwise, save for the repair or replacement of the product.
7. Please backup any custom settings or data, as Yamaha may not be held responsible for any alteration or loss to such settings or data.
8. This guarantee does not affect the consumer's statutory rights under applicable national laws in force or the consumer's rights against the dealer arising from their sales/purchase contract.

PRÉCAUTIONS

Lisez les consignes suivantes avant d'utiliser votre système d'enceintes.

- Pour utiliser l'appareil au mieux de ses possibilités, lisez attentivement ce mode d'emploi. Conservez-le soigneusement pour référence.
- Installez cette enceinte dans un endroit frais, sec et propre, à l'écart des fenêtres et à l'abri des sources de chaleur, des vibrations, de la poussière, de l'humidité et du froid. Évitez toute source de bruit électrique (transformateurs, moteurs). Pour éviter un incendie ou une électrocution, n'exposez pas cette enceinte à la pluie ni à l'humidité.
- Pour éviter que le coffret se gondole ou se décolore, ne placez pas l'enceinte dans un endroit exposé aux rayons directs du soleil ou à une trop forte humidité.
- Ne placez pas les objets suivants sur l'enceinte :
Verres, porcelaine, petits objets métalliques, etc.
Si ces objets tombent sous l'effet des vibrations et se brisent, vous risquez de vous blesser ou de blesser votre entourage.
Une bougie allumée, etc.
Si la bougie tombe sous l'effet des vibrations, cela risque de provoquer un incendie et des blessures.
Un récipient contenant de l'eau.
Si le récipient tombe sous l'effet des vibrations et que l'eau se répand, ceci risque d'endommager l'enceinte et/ou de provoquer une électrocution.
- Évitez d'installer l'appareil dans un endroit où il pourrait être exposé à des éclaboussures ou des gouttes d'eau. Vous risquez de provoquer un incendie ou de vous blesser.
- Évitez d'installer l'appareil dans un endroit où des objets peuvent tomber. Un endroit stable améliorera en outre la qualité du son.
- Si l'enceinte est placée sur la même étagère ou sur le même meuble que la platine, un effet de retour sonore risque de se produire.
- Ne placez jamais votre main ou un corps étranger dans le port situé à l'arrière de l'enceinte ; vous risquez de vous blesser et/ou d'endommager l'enceinte.
- Lorsque vous déplacez l'enceinte, veillez à ne pas la saisir par le port ; vous risquez de vous blesser et/ou d'endommager l'enceinte.
- Si des distorsions se produisent, réduisez le niveau sonore en baissant la commande de volume de l'amplificateur. Veillez à éviter tout « écrêtage » de l'amplificateur. Vous risquez en effet d'endommager l'enceinte.
- Si vous utilisez un amplificateur dont la puissance de sortie nominale est supérieure à la puissance d'entrée nominale de l'enceinte, veillez à ne pas dépasser l'entrée maximale de l'enceinte.
- Ne nettoyez pas l'appareil au moyen d'un solvant chimique, car vous risquez d'endommager la finition. Utilisez un chiffon propre et sec.
- N'essayez pas de modifier ni de réparer l'enceinte. Contactez un technicien YAMAHA qualifié dès que l'enceinte nécessite une réparation. Le coffret ne doit être ouvert sous aucun prétexte.
- **Le propriétaire du système est entièrement responsable du bon positionnement et de la bonne installation du système. YAMAHA décline toute responsabilité en cas d'accident provoqué par un positionnement ou une installation inadéquats de l'enceinte.**

Information concernant la Collecte et le Traitement des déchets d'équipements électriques et électroniques.



Le symbole sur les produits, l'emballage et/ou les documents joints signifie que les produits électriques ou électroniques usagés ne doivent pas être mélangés avec les déchets domestiques habituels.

Pour un traitement, une récupération et un recyclage appropriés des déchets d'équipements électriques et électroniques, veuillez les déposer aux points de collecte prévus à cet effet, conformément à la réglementation nationale et aux Directives 2002/96/EC.

En vous débarrassant correctement des déchets d'équipements électriques et électroniques, vous contribuerez à la sauvegarde de précieuses ressources et à la prévention de potentiels effets négatifs sur la santé humaine qui pourraient advenir lors d'un traitement inapproprié des déchets.

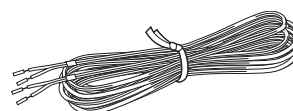
Pour plus d'informations à propos de la collecte et du recyclage des déchets d'équipements électriques et électroniques, veuillez contacter votre municipalité, votre service de traitement des déchets ou le point de vente où vous avez acheté les produits.

[Information sur le traitement dans d'autres pays en dehors de l'Union Européenne]

Ce symbole est seulement valable dans l'Union Européenne. Si vous souhaitez vous débarrasser de déchets d'équipements électriques et électroniques, veuillez contacter les autorités locales ou votre fournisseur et demander la méthode de traitement appropriée.

ACCESSOIRES FOURNIS

NS-B210

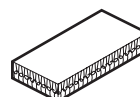


Câble d'enceinte (10 m x 1)

NS-C210



Câble d'enceinte (4 m x 1)



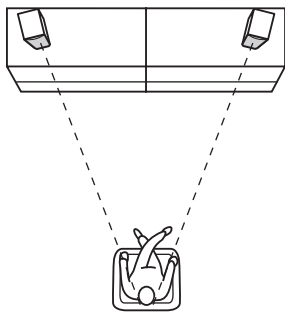
Attache x 2

DISPOSITION DES ENCEINTES

Pour la NS-B210

■ Utilisation comme enceintes stéréo à 2 canaux

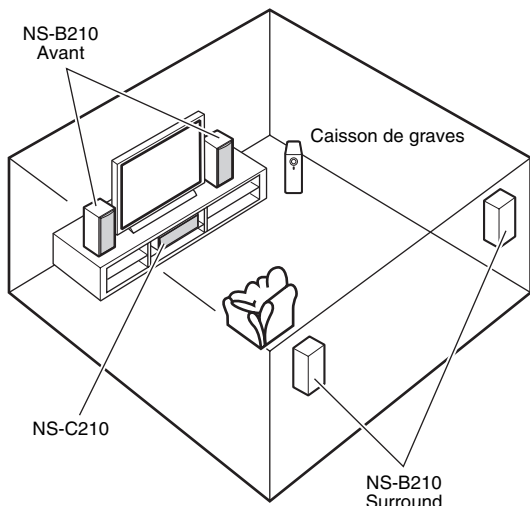
Une meilleure image stéréo est obtenue si les enceintes sont légèrement orientées vers l'auditeur.



■ Utilisation comme enceintes avant enceintes surround dans un système surround

Positionnez les enceintes de chaque côté du téléviseur. Le positionnement des enceintes est important, car il détermine la qualité sonore du système surround. Placez les enceintes par rapport à votre position d'écoute habituelle en vous référant au mode d'emploi fourni avec votre amplificateur.

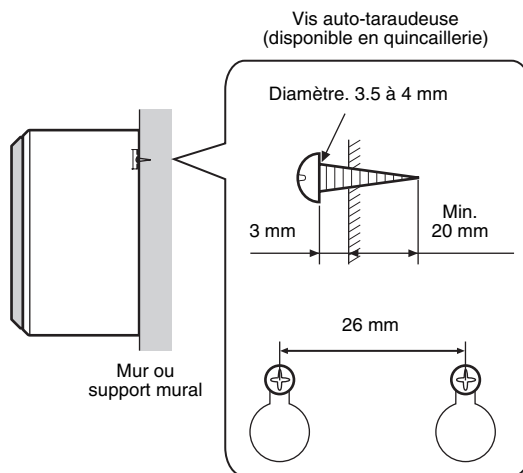
Et fixez les enceintes au mur ou placez-les sur une étagère. Déterminez la position optimale en vous reportant au mode d'emploi de votre amplificateur.



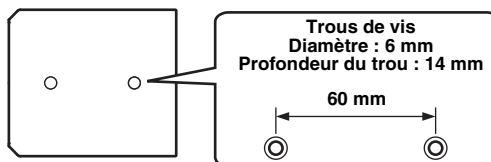
■ Pour fixer les enceintes au mur à l'aide du support de fixation fourni

Fixez les vis sur un mur ou un support mural solide comme illustré, puis accrochez les orifices du support de fixation aux vis en saillie.

* Assurez-vous que les vis sont insérées dans la partie étroite des orifices.



Vous pouvez également utiliser les trous de vis au bas de l'enceinte pour installer l'enceinte à l'aide d'un support de fixation disponible dans le commerce (si vous ne souhaitez pas utiliser le support de fixation fourni).



Remarque

Pour éviter les interférences et la dégradation des couleurs de l'image, n'installez pas les enceintes trop près d'un téléviseur à tube cathodique. Le cas échéant, éloignez les enceintes (de plus de 20 cm) du téléviseur.

Si vous utilisez un téléviseur plasma ou LCD, vous ne risquez pas de rencontrer ce problème.

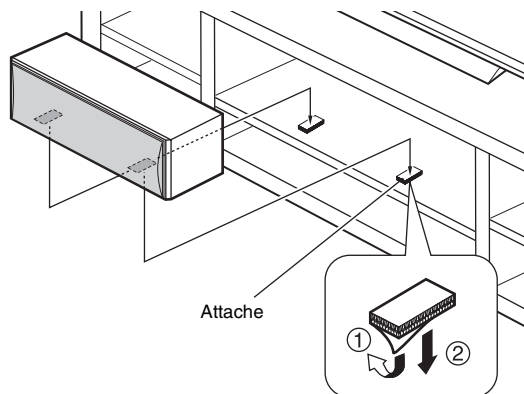
AVERTISSEMENT

- La NS-B210 pèse 1.6 kg. Ne la fixez pas sur du contreplaqué de faible épaisseur ou sur un mur recouvert d'une surface molle. Le cas échéant, les vis risqueraient de se détacher et l'enceinte de tomber. Vous risqueriez ainsi d'endommager l'enceinte ou de vous blesser.
- Ne fixez pas l'enceinte sur un mur à l'aide de clous, de rubans adhésifs ou de toute autre quincaillerie instable. A la longue, l'utilisation et les vibrations pourraient entraîner sa chute.
- Pour éviter de trébucher sur les câbles des enceintes et de vous blesser, fixez convenablement les câbles au sol ou au mur.

Pour la NS-C210

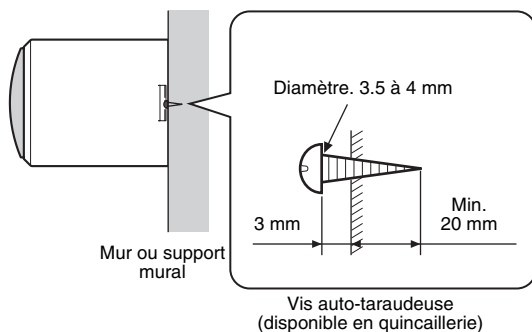
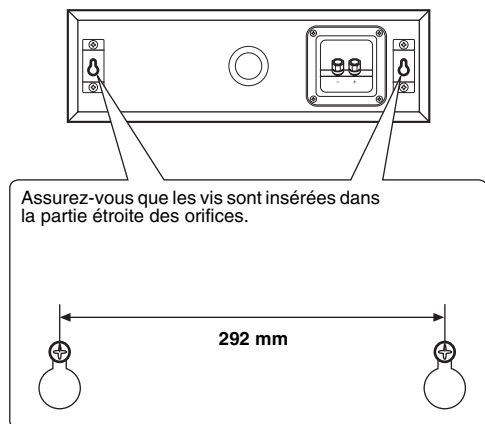
■ Utilisation comme enceinte centrale

Posez l'enceinte sur un meuble TV ou sur toute autre surface stable. Pour éviter que l'enceinte tombe, fixez les attaches fournies à chacun des coins, sur le dessous de l'enceinte.



■ Pour fixer les enceintes au mur à l'aide du support de fixation fourni

Fixez les vis sur un mur ou un support mural solide comme illustré, puis accrochez les orifices du support de fixation aux vis en saillie.



Remarque

Pour éviter les interférences et la dégradation des couleurs de l'image, n'installez pas les enceintes trop près d'un téléviseur à tube cathodique. Le cas échéant, éloignez les enceintes (de plus de 20 cm) du téléviseur.

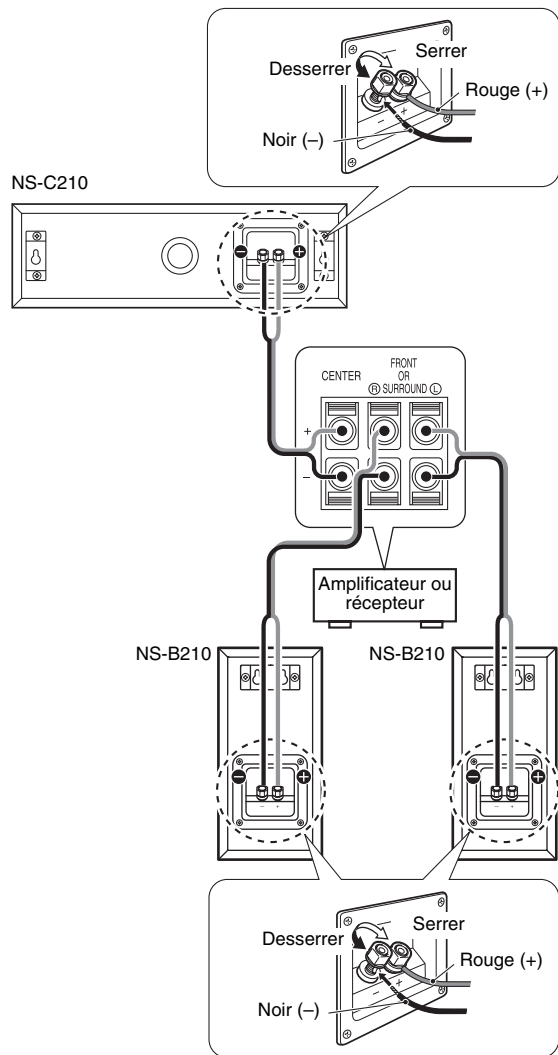
Si vous utilisez un téléviseur plasma ou LCD, vous ne risquez pas de rencontrer ce problème.

AVERTISSEMENT

- La NS-C210 pèse 2 kg. Ne la fixez pas sur du contreplaqué de faible épaisseur ou sur un mur recouvert d'une surface molle. Le cas échéant, les vis risqueraient de se détacher et l'enceinte de tomber. Vous risqueriez ainsi d'endommager l'enceinte ou de vous blesser.
- Ne touchez pas la surface adhésive après avoir retiré la feuille de protection, car cela réduirait la force adhésive.
- Nettoyez convenablement la surface de fixation des attaches. Remarquez que la force adhésive diminue si la surface est sale, grasse ou humide, et que cela risque de provoquer la chute de l'enceinte.
- Ne fixez pas l'enceinte sur un mur à l'aide de clous, de rubans adhésifs ou de toute autre quincaillerie instable. A la longue, l'utilisation et les vibrations pourraient entraîner sa chute.
- Pour éviter de trébucher sur les câbles des enceintes et de vous blesser, fixez convenablement les câbles au sol ou au mur.

CONNEXIONS À VOTRE AMPLIFICATEUR

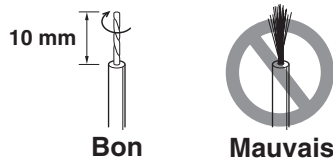
Avant de réaliser les connexions, assurez-vous que l'amplificateur est hors tension.



- Connectez les bornes d'entrée à vis situées à l'arrière des enceintes aux bornes de sortie d'enceinte de l'amplificateur (ou du récepteur) à l'aide d'un câble d'enceinte.
- Connectez les bornes (+) de l'amplificateur (ou du récepteur) à la borne (+) de chaque enceinte en vous assurant de respecter les fils de couleur du câble. Utilisez l'autre fil du câble pour connecter les bornes (-) des composants.
- Connectez une enceinte aux bornes gauche (L) de votre amplificateur et l'autre enceinte aux bornes droites (R) en respectant les polarités (+, -). Si vous inversez les polarités d'une enceinte, le son ne sera pas naturel et manquera de graves.

Mode de connexion

- 1 Desserrez le boulon.
- 2 Retirez 10 mm de la gaine isolante à l'extrémité de chaque câble d'enceinte en tortillant la gaine pour la dégager, comme illustré ci-dessous.



- 3 Insérez le câble dénudé.
- 4 Resserrez le boulon pour fixer solidement le câble. Vérifiez que le câble est fermement inséré en tirant légèrement dessus au niveau de la borne.

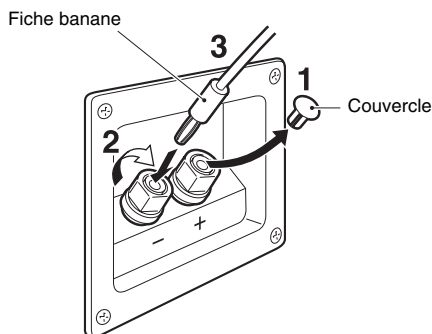
Remarques

- Ne laissez pas les fils dénudés entrer en contact les uns avec les autres. Cela risquerait d'endommager l'enceinte et/ou l'amplificateur.
- N'insérez pas la gaine isolante dans l'orifice. Le cas échéant, aucun son ne serait produit.

Lorsqu'une fiche banane est utilisée

Remarque

Ne retirez ce couvercle que lorsque vous utilisez une fiche banane.



- 1 Retirez le couvercle en le tirant vers vous.
- 2 Serrez le boulon de la borne.
- 3 Insérez la fiche banane dans la borne.

CARACTÉRISTIQUES TECHNIQUES

NS-B210

Type enceintes à suspension acoustique pleine gamme
Type à blindage anti-magnétique
Haut-parleur 8 cm pleine gamme × 2
avancée Impédance 6 Ω
Réponse en fréquence 75 Hz à 35 kHz (-10 dB)
à 50 kHz (-30 dB)
Puissance admissible nominale 40 W
Puissance admissible maximale 120 W
Sensibilité 86 dB/2.83 V/m
Dimensions (L × H × P) 105 × 215 × 132 mm
Poids 1.6 kg

NS-C210

Type Enceintes bass reflex à 2 voies
Type à blindage anti-magnétique
Haut-parleur woofer à cône de 8 cm × 2
tweeter à dôme équilibré de 2.2 cm
Impédance 6 Ω
Réponse en fréquence 65 Hz à 45 kHz (-10 dB)
à 100 kHz (-30 dB)
Puissance admissible nominale 40 W
Puissance admissible maximale 120 W
Sensibilité 86 dB/2.83 V/m
Diaphonie 8 kHz
Dimensions (L × H × P) 340 × 105 × 132 mm
Poids 2 kg

- Dans un souci d'amélioration de ses produits, Yamaha se réserve le droit de modifier les caractéristiques techniques sans préavis.
- Veillez à ne pas dépasser les valeurs de puissance d'entrée indiquées ci-dessus.

Entretien de l'enceinte

Lors du nettoyage, n'utilisez pas de solvant chimique (alcool, diluants, etc.) : vous risqueriez d'endommager la finition. Utilisez un chiffon propre et sec. En cas de tache persistante, humidifiez un chiffon doux dans l'eau, essorez-le, puis frottez légèrement la surface.

(Pour les modèles polis) Le fait de heurter la surface de l'instrument avec des objets durs en métal, en porcelaine ou autres peut provoquer une craquelure ou le pelage de la finition. Veillez donc à procéder avec précaution.

Garantie Limitée pour l'Espace Économique Européenne et la Suisse

Merci d'avoir porté votre choix sur un produit Yamaha. Dans l'hypothèse où vous devriez recourir au service de notre garantie après-vente, veuillez contacter votre revendeur Yamaha. Si vous rencontrez la moindre difficulté, n'hésitez pas à contacter directement Yamaha dans votre pays de résidence. Vous pouvez trouver toutes informations complémentaires sur notre site Web (<http://www.yamaha-hifi.com/> ou <http://www.yamaha-uk.com/> pour les résidents au Royaume-Uni).

Yamaha garantit votre produit contre tout défaut de fabrication, pièces et main d'oeuvre, pour une durée de 2 ans à compter de la première date de vente au détail. Yamaha s'engage, dans les conditions décrites ci-après, à procéder à la réparation du produit défectueux (ou d'un quelconque de ses composants) ou à son remplacement à l'appréciation de Yamaha en prenant à sa charge les coûts relatifs aux pièces détachées et à la main d'oeuvre. Yamaha se réserve le droit de remplacer le produit par un modèle semblable, de par sa valeur et ses caractéristiques, dès lors que la commercialisation dudit produit a cessé ou bien lorsque sa réparation s'avère économiquement injustifiée.

Conditions

1. La facture d'achat originale ou un justificatif d'achat correspondant (indiquant la date d'achat, la référence du produit et le nom du revendeur) DOIT accompagner le produit défectueux, ainsi qu'une description précise du dysfonctionnement constaté. En l'absence de cette preuve d'achat, Yamaha se réserve le droit de refuser le service de la garantie et le produit peut être restitué aux frais du consommateur.
2. Le produit DOIT avoir été acheté par un distributeur agréé Yamaha au sein de l'Espace Economique Européen ou en Suisse.
3. Le produit doit n'avoir fait l'objet d'aucune modification ou altération, sauf accord écrit de Yamaha.
4. Les cas suivants font obstacle à l'application de la garantie:
 - a. Entretien périodique et réparation ou remplacement de pièces ayant subi une usure ou défaillance normale.
 - b. Dommages résultant de:
 - (1) Réparation effectuée par le consommateur lui-même ou par un tiers non autorisé.
 - (2) Emballage ou manutention inadéquats lors du transport du produit pour réparation. Veuillez noter qu'il est de la responsabilité de l'expéditeur de s'assurer que le produit est correctement emballé.
 - (3) Utilisation non-conforme du produit, correspondant aux cas non limitatifs (a) d'utilisation non-conforme à l'objet normal du produit ou nonconforme aux instructions d'utilisation, de maintenance ou d'installation publiées par Yamaha, (b) ou d'utilisation du produit incompatible avec les normes techniques ou de sécurité en vigueur au sein du pays d'utilisation.
 - (4) Accidents, foudre, dégât des eaux, incendie, ventilation incorrecte, fuite de pile ou toute autre cause échappant au contrôle de Yamaha.
 - (5) Les défauts de la configuration dans laquelle ce produit est incorporé et/ou l'incompatibilité avec des produits tiers.
 - (6) Produit importé au sein de l'EEE, et/ou en Suisse, par une autre entité que Yamaha, dès lors que ce produit n'est pas conforme aux normes techniques ou de sécurité du pays d'utilisation et/ou aux normes des produits commercialisés par Yamaha au sein de l'EEE et/ou en Suisse.
 - (7) Produits non audiovisuels.
(Les produits soumis à une "Déclaration de Garantie AV de Yamaha" sont indiqués sur notre site Web à l'adresse <http://www.yamaha-hifi.com/> ou <http://www.yamaha-uk.com/> pour les résidents au Royaume-Uni.)
5. Lorsque la garantie diffère entre le pays d'achat et le pays d'utilisation du produit, la garantie du pays d'utilisation est applicable.
6. Yamaha ne saurait être tenu pour responsable de quelconques pertes ou dommages, directs, consécutifs ou autres, sa responsabilité au titre de la garantie étant strictement limitée à la réparation ou au remplacement du produit.
7. Nous vous invitons à sauvegarder toutes les données ou réglages personnalisés de votre produit, Yamaha ne pouvant être tenu responsable de leur modification ou perte.
8. La présente garantie laisse intégralement subsister les droits que le consommateur peut détenir au titre de la garantie légale en vigueur ou au titre du contrat de vente conclu avec son revendeur.

Wir danken Ihnen für den Kauf dieses YAMAHA-Produkts.

VORSICHTSMASSNAHME

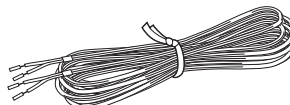
Lesen Sie diese Informationen, bevor Sie den Lautsprecher verwenden.

- Bitte lesen Sie diese Bedienungsanleitung sorgfältig durch, damit die beste Geräteleistung gewährleistet werden kann. Heben Sie die Bedienungsanleitung auf, um auch später noch nachschlagen zu können.
- Stellen Sie den Lautsprecher an einem kühlen, trockenen und sauberen Platz auf, entfernt von Fenstern, Wärmequellen, Erschütterungsquellen, Staub, Feuchtigkeit und Kälte. Meiden Sie Quellen von elektrischen Störgeräuschen (Transformatoren, Motoren). Das Gerät darf keinem Regen oder Feuchtigkeit ausgesetzt werden, um einen Brand oder Stromschlag zu vermeiden.
- Um ein Verziehen oder Verfärben des Gehäuses zu verhindern, sollten Sie die Lautsprecher nicht in direktem Sonnenlicht oder an Orten aufstellen, an denen eine hohe Luftfeuchtigkeit herrscht.
- Stellen Sie nicht folgende Gegenstände auf den Lautsprecher: Glas, Porzellan, kleine metallische Gegenstände usw.
Wenn Glas usw. aufgrund von Vibrationen herunterfällt und zerbricht, kann es zu Verletzungen kommen.
Eine brennende Kerze usw.
Wenn eine Kerze aufgrund von Vibrationen herunterfällt, besteht Brand- und Verletzungsgefahr.
Ein Gefäß mit Wasser
Wenn ein Gefäß mit Wasser aufgrund von Vibrationen herunterfällt und Wasser ausläuft, können die Lautsprecher möglicherweise beschädigt werden und/oder Sie können einen elektrischen Schlag bekommen.
- Stellen Sie die Lautsprecher nicht dort auf, wo Fremdstoffe, wie z. B. Wassertropfen in den Lautsprecher gelangen können. Dadurch können ein Brand, Schäden am Gerät und/oder Personenschäden verursacht werden.
- Stellen Sie den Lautsprecher nicht dort auf, wo er leicht umfallen oder wo Gegenstände auf ihn fallen könnten. Ein stabiler Aufstellungsort trägt auch zu einer besseren Tonwiedergabe bei.
- Falls der Lautsprecher im gleichen Regal wie der Plattenspieler aufgestellt wird, können Rückkopplungen auftreten.
- Stecken Sie niemals eine Hand oder einen Fremdkörper in die Öffnung an der Lautsprecherrückseite, da dies Personenschäden und/oder Schäden am Lautsprecher verursachen könnte.
- Wenn der Lautsprecher transportiert wird, verwenden Sie nicht die Öffnung zum Tragen, da dies Personenschäden und/oder Schäden am Lautsprecher verursachen könnte.
- Bei Auftreten von Verzerrungen müssen Sie den Lautstärkepegel am Verstärker reduzieren. Der Verstärker darf nicht in „Clipping“ verfallen. Andernfalls kann der Lautsprecher beschädigt werden.
- Wenn Sie einen Verstärker verwenden, dessen Nennleistung oberhalb der nominellen Aufnahmeleistung des Lautsprechers liegt, so darf die Belastbarkeitsgrenze des Lautsprechers niemals überschritten werden.
- Versuchen Sie nicht, den Lautsprecher mit chemischen Lösungsmitteln zu reinigen, da diese zu einer Beschädigung der Oberfläche führen könnte. Verwenden Sie ein sauberes, trockenes Tuch.

- Versuchen Sie nicht den Lautsprecher zu modifizieren oder zu reparieren. Kontaktieren Sie einen qualifizierten YAMAHA-Kundendienst, wenn eine Reparatur erforderlich sein sollte. Das Gehäuse darf unter keinen Umständen geöffnet werden.
- **Eine sicher Aufstellung oder Installation liegt in der Verantwortung des Besitzers. YAMAHA kann keine Verantwortung für Unfälle übernehmen, die durch unsachgemäße Aufstellung oder falsches Anschließen der Lautsprecher verursacht werden.**

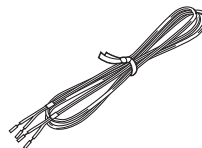
ZUBEHÖR

NS-B210

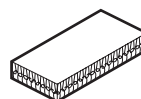


Lautsprecherkabel (10 m x 1)

NS-C210



Lautsprecherkabel (4 m x 1)



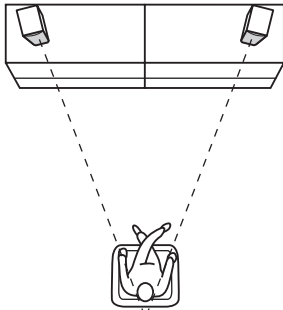
Befestigungspads x 2

AUFSTELLEN DER LAUTSPRECHER

Für NS-B210

■ Verwendung als 2-Kanal-Stereolautsprecher

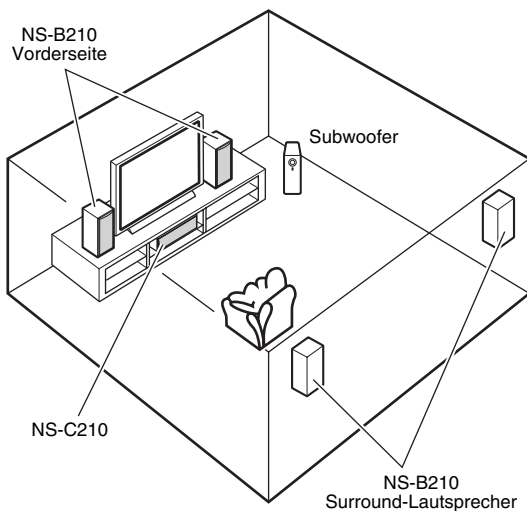
Wenn die Lautsprecher in Richtung Hörposition leicht angewinkelt aufgestellt werden, wird ein besseres Stereo-Klangbild erzielt.



■ Verwendung als Front- und Surround-Lautsprecher innerhalb eines Surround-Systems

Stellen Sie die Lautsprecher auf beiden Seiten des Fernsehgerätes auf. Die Position der Lautsprecher ist hier von großer Wichtigkeit, da dies einen entscheidenden Einfluss auf die Gesamt-Tonqualität des Surround-Systems hat. Stellen Sie die Lautsprecher je nach Hörposition anhand der im Lieferumfang des Verstärkers enthaltenen Bedienungsanleitung auf.

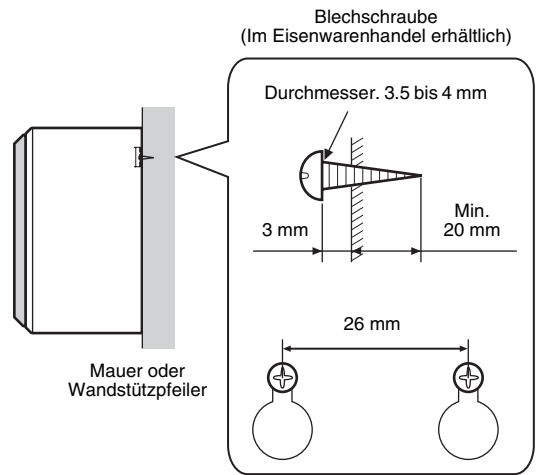
Hängen Sie die Lautsprecher an die Wand oder stellen Sie sie auf ein Regal. Bestimmen Sie anhand der im Lieferumfang des Verstärkers enthaltenen Bedienungsanleitung die optimale Position.



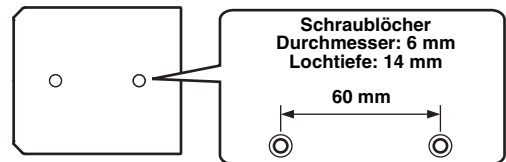
■ Wandmontage der Lautsprecher mithilfe des Haltebügels

Befestigen Sie die Schrauben in einer stabilen Wand oder in einem Wandstützfeiler, wie in der Abbildung gezeigt, und hängen Sie die Löcher der Haltebügel in die vorstehenden Schrauben ein.

* Stellen Sie sicher, dass die Schrauben fest in den schmalen Abschnitten der Löcher sitzen.



Sie können auch die Schraublöcher an der Unterseite des Lautsprechers für die Montage des Lautsprechers mit einer im Handel erhältlichen Lautsprecherhalterung verwenden (wenn Sie den angebrachten Haltebügel nicht verwenden möchten).



Hinweis

Wenn Sie dieses Gerät zu nah an einem Röhren-Fernsehgerät aufstellen, können Bildstörungen oder ein Summen auftreten. Stellen Sie in diesem Fall den Lautsprecher weiter entfernt (mehr als 20 cm) vom Fernsehgerät auf.

Mit Plasma- oder LCD-Fernsehgeräten treten solche Störungen nicht auf.

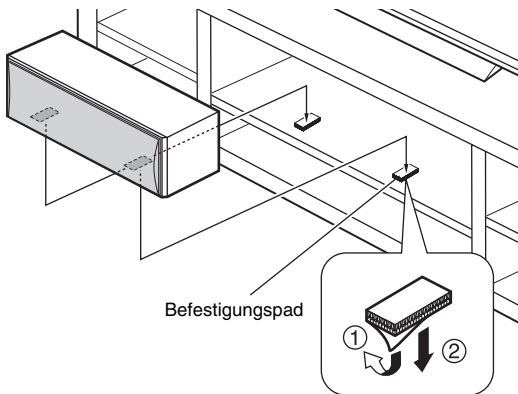
WARNUNG

- NS-B210 wiegt 1.6 kg. Befestigen Sie das Gerät nicht an einer Sperrholzwand oder an einer Wand mit weichem Oberflächenmaterial. Die Schrauben könnten sich lösen und der Lautsprecher könnte zu Boden fallen. Dabei kann es zu Schäden am Lautsprecher oder zu Verletzungen kommen.
- Montieren Sie den Lautsprecher nicht mit Nägeln, Klebeband oder anderen instabilen Metallwaren an der Wand. Er kann sonst durch langfristige Verwendung und Vibrationen herunterfallen.
- Befestigen Sie die Kabel sicher am Boden oder an der Wand, um Unfälle durch lose Lautsprecherkabel zu verhindern, über die jemand stolpern kann.

Für NS-C210

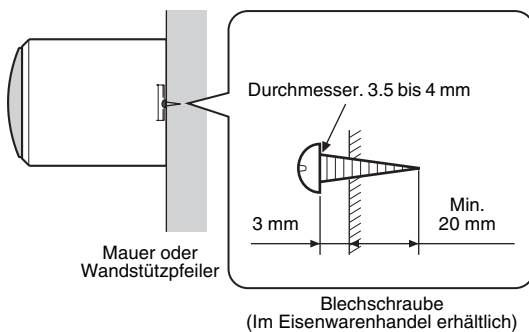
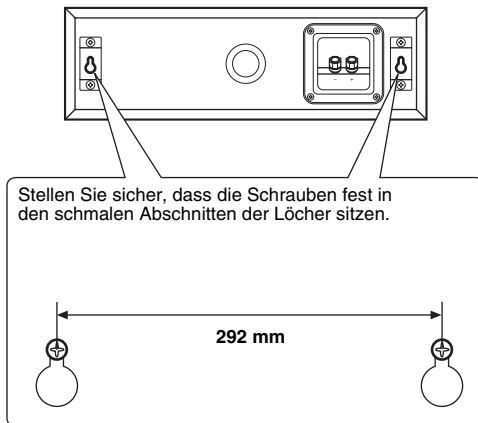
■ Verwendung als Center-Lautsprecher

Platzieren Sie den Lautsprecher auf einem Fernsehtisch oder auf einer stabilen Oberfläche. Damit der Lautsprecher nicht herunterfällt, die einzelnen Ecken an der Unterseite des Lautsprechers mit den Befestigungspads versehen.



■ Wandmontage der Lautsprecher mithilfe des Haltebügels

Befestigen Sie die Schrauben in einer stabilen Wand oder in einem Wandstützfeiler, wie in der Abbildung gezeigt, und hängen Sie die Löcher der Haltebügels in die vorstehenden Schrauben ein.



Hinweis

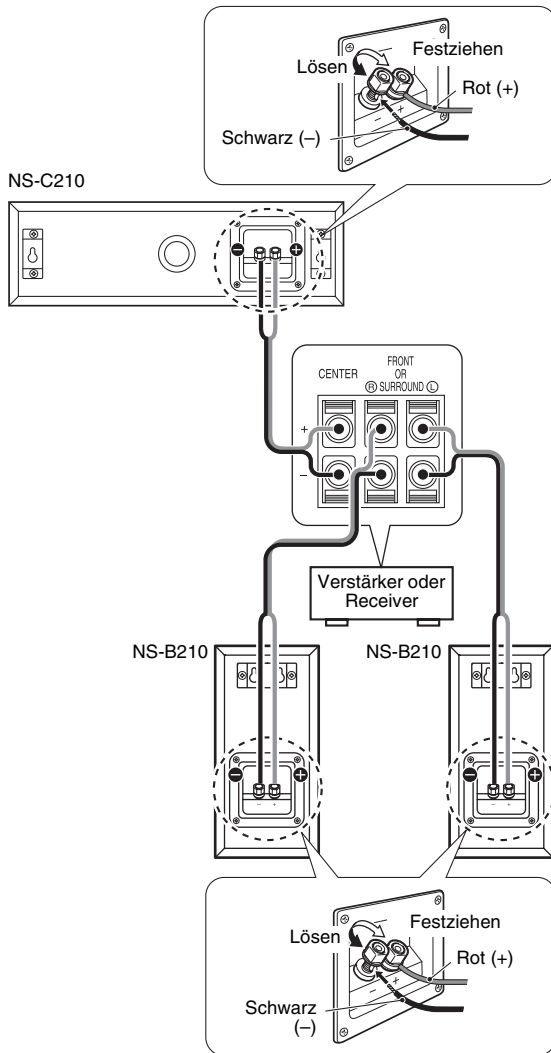
Wenn Sie dieses Gerät zu nah an einem Röhren-Fernsehgerät aufstellen, können Bildstörungen oder ein Summen auftreten. Stellen Sie in diesem Fall den Lautsprecher weiter entfernt (mehr als 20 cm) vom Fernsehgerät auf.
Mit Plasma- oder LCD-Fernsehgeräten treten solche Störungen nicht auf.

WARNUNG

- NS-C210 wiegt 2 kg. Befestigen Sie das Gerät nicht an einer Sperrholzwand oder an einer Wand mit weichem Oberflächenmaterial. Die Schrauben könnten sich lösen und der Lautsprecher könnte zu Boden fallen. Dabei kann es zu Schäden am Lautsprecher oder zu Verletzungen kommen.
- Nach Abziehen des Schutzstreifens, die Klebefläche nicht berühren, da die Klebeleistung dadurch beeinträchtigt werden kann.
- Die Flächen, an denen die Befestigungspads angebracht werden, gründlich reinigen. Staubige, fettige oder feuchte Oberflächen beeinträchtigen die Klebeleistung, und der Center-Lautsprecher könnte dadurch zu Boden fallen.
- Montieren Sie den Lautsprecher nicht mit Nägeln, Klebeband oder anderen instabilen Metallwaren an der Wand. Er kann sonst durch langfristige Verwendung und Vibrationen herunterfallen.
- Befestigen Sie die Kabel sicher am Boden oder an der Wand, um Unfälle durch lose Lautsprecherkabel zu verhindern, über die jemand stolpern kann.

ANSCHLUSS AN DEN VERSTÄRKER

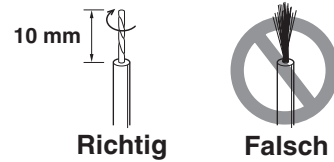
Vergewissern Sie sich, dass der Verstärker ausgeschaltet ist, bevor Sie die Anschlüsse durchführen.



- Verbinden Sie die Eingänge mit Schraubbefestigung an der Rückseite der Lautsprecher über das Lautsprecherkabel mit den Lautsprecher-Ausgängen des Verstärkers (oder Receivers).
- Schließen Sie die (+)-Anschlüsse am Verstärker (oder Receiver) an die (+)-Anschlüsse des jeweiligen Lautsprechers an und stellen Sie sicher, dass die Farbcodierung am Kabelende berücksichtigt wird. Verbinden Sie die (-)-Anschlüsse der Komponenten über die andere Ader des Kabels.
- Schließen Sie einen Lautsprecher an die linken Anschlüsse des Verstärkers an (durch L markiert) und dann den anderen Lautsprecher an die rechten Anschlüsse (durch R markiert), wobei unbedingt darauf geachtet werden muss, dass die Polarität nicht vertauscht wird (+, -). Falls ein Lautsprecher mit umgekehrter Polarität angeschlossen wird, wirkt die Tonwiedergabe unnatürlich und kraftlos.

■ Anschluss

- 1 Lösen Sie den Knopf.
- 2 Entfernen Sie 10 mm der Isolierung an jedem Ende des Kabels und verdrehen Sie die freiliegenden Adern sauber und eng miteinander, wie unten gezeigt.



- 3 Führen Sie den bloßen Draht ein.
- 4 Ziehen Sie den Knopf wieder an und sichern Sie die Kabel. Ziehen Sie leicht an den Kabeln, um zu kontrollieren, ob sie fest angeschlossen ist.

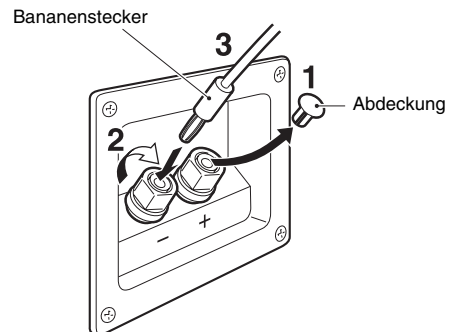
Hinweise

- Die bloßen Lautsprecherdrähte dürfen nicht miteinander in Berührung kommen, da dies den Lautsprecher oder den Verstärker oder auch beides beschädigen könnte.
- Führen Sie nicht die Isolierungsbeschichtung in das Loch ein. Andernfalls wird möglicherweise kein Ton erzeugt.

■ Bei Verwendung eines Bananensteckers

Hinweis

Nehmen Sie diese Abdeckung nur ab, wenn Sie einen Bananenstecker verwenden.



- 1 Entfernen Sie die Abdeckung, indem Sie sie zu sich hin ziehen.
- 2 Ziehen Sie den Anschlussknopf fest.
- 3 Stecken Sie einfach den Bananenstecker in den Anschluss.

TECHNISCHE DATEN

NS-B210

Typ	Vollbereich Acoustic Suspension Lautsprechersystem Nichtmagnetisch abgeschirmt
Treiber	8 cm Vollbereich × 2
Impedanz	6 Ω
Frequenzgang	75 Hz bis 35 kHz (-10 dB) bis 50 kHz (-30 dB)
Nenneingangsleistung	40 W
Maximale Eingangsleistung	120 W
Empfindlichkeit	86 dB/2.83 V/m
Abmessungen (B × H × T)	105 × 215 × 132 mm
Gewicht	1.6 kg

NS-C210

Typ	2-Wege-Bassreflex-Lautsprechersystem Nichtmagnetisch abgeschirmt
Treiber	8 cm Konus Tieftöner × 2 2.2 cm Balanced Dome-Hochtöner
Impedanz	6 Ω
Frequenzgang	65 Hz bis 45 kHz (-10 dB) bis 100 kHz (-30 dB)
Nenneingangsleistung	40 W
Maximale Eingangsleistung	120 W
Empfindlichkeit	86 dB/2.83 V/m
Übernahmefrequenz	8 kHz
Abmessungen (B × H × T)	340 × 105 × 132 mm
Gewicht	2 kg

- Technische Daten können infolge von Produktverbesserungen ohne Ankündigung geändert werden.
- Vorsicht ist geboten, damit die oben aufgeführten Eingangsleistungswerte nicht überschritten werden.

Pflege des Lautsprechers

Wenn Sie dieses Gerät abwischen, verwenden Sie keine chemischen Lösungsmittel (z. B. Alkohol oder Verdüner usw.): Die Oberfläche könnte beschädigt werden.

Verwenden Sie ein sauberes, trockenes Tuch. Befeuchten Sie bei stärkeren Verschmutzungen ein weiches Tuch mit Wasser und wischen Sie das Gerät dann mit dem Tuch ab.

(Für Modelle mit polierter Oberfläche) Durch Stöße mit Gegenständen aus Metall oder Porzellan oder mit anderen harten Objekten kann die Oberfläche Risse erhalten oder abblättern. Vorsicht bei Verwendung.

Begrenzte Garantie für den Europäischen Wirtschaftsraum (EWR) und die Schweiz

Herzlichen Dank, dass Sie sich für ein Yamaha Produkt entschieden haben. In dem unwahrscheinlichen Fall, dass die Garantie für das Yamaha-Produkt in Anspruch genommen werden muss, wenden Sie sich bitte an den Händler, bei dem es gekauft wurde. Sollten Sie auf Schwierigkeiten stoßen, wenden Sie sich bitte an die Yamaha Repräsentanz in Ihrem Land. Auf unserer Internetseite (<http://www.yamaha-hifi.com/> oder <http://www.yamaha-uk.com/> für Einwohner Großbritanniens) finden Sie alle Einzelheiten.

Wir garantieren für einen Zeitraum von zwei Jahren ab ursprünglichem Kaufdatum, dass dieses Produkt frei von Verarbeitungs- oder Materialfehlern ist. Yamaha verpflichtet sich, gemäß der nachstehend angeführten Bedingungen, ein fehlerhaftes Produkt (oder Teile desselben) kostenfrei (gilt für Teile und Arbeit) zu reparieren oder auszutauschen. Diese Entscheidung obliegt ausschließlich Yamaha. Yamaha behält sich vor, das Produkt gegen ein in Art und/ oder Wert und Zustand ähnliches Produkt auszutauschen, wenn das entsprechende Modell nicht mehr erzeugt wird, oder die Reparatur als unrentabel angesehen wird.

Bedingungen

1. Dem defekten Produkt MUSS die Originalrechnung oder der Originalkaufbeleg (der Beleg muss das Kaufdatum, den Produkt-Code und den Namen des Händlers aufweisen) beigelegt werden, ebenso eine Fehlerbeschreibung. Bei Fehlen einer eindeutigen Kaufbestätigung behält sich Yamaha das Recht vor, den kostenfreien Service abzulehnen und das Produkt auf Kosten des Kunden zu retournieren.
2. Das Produkt MUSS von einem AUTORISIERTEN Yamaha-Händler innerhalb des Europäischen Wirtschaftsraums (EWR) oder der Schweiz gekauft worden sein.
3. Es wurden keine wie auch immer gearteten Änderungen am Produkt vorgenommen, außer diese wurden von Yamaha schriftlich genehmigt.
4. Folgendes ist von der Garantie ausgeschlossen:
 - a. Regelmäßige Wartung und Reparatur oder Austausch von Verschleißteilen.
 - b. Schaden durch:
 - (1) Vom Kunden selber oder von nichtbefugten Dritten ausgeführte Reparaturen.
 - (2) Unsachgemäße Verpackung oder Handhabung während des Transports vom Kunden. Beachten Sie bitte, dass die sachgerechte Verpackung des zur Reparatur gebrachten Produkts in der Verantwortung des Retournierenden liegt.
 - (3) Unsachgemäße Verwendung, einschließlich der, jedoch nicht beschränkt auf, (a) die Verwendung des Produkts zu anderen als den normalen Zwecken oder Behandlung entgegen die Anweisungen Yamahas zur korrekten Handhabung, Wartung oder Lagerung und (b) die Installation oder Verwendung des Produkts auf andere Weise als dies den technischen oder Sicherheitsstandards jenes Landes entspricht, in dem das Produkt verwendet wird.
 - (4) Unfälle, Blitzschlag, Wasser, Feuer, ungeeignete Belüftung, Auslaufen der Batterie oder jedem anderen Grund, den Yamaha nicht beeinflussen kann.
 - (5) Defekte an jenem System, an welches dieses Produkt angeschlossen wird und/oder die Inkompatibilität mit Produkten anderer Hersteller.
 - (6) Die Verwendung eines nicht von Yamaha in den EWR und/oder die Schweiz importierten Produkts, wenn dieses Produkt nicht den technischen oder Sicherheitsstandards jenes Landes, in dem es verwendet wird, und/oder der standardisierten Produktspezifikation für von Yamaha im EWR und/oder der Schweiz vertriebene Produkte, entspricht.
 - (7) Andere als für den AV- (audio-visuellen) Bereich bestimmte Produkte. (Produkte, die der „Yamaha AV-Garantieerklärung“ unterliegen, sind auf unserer Website bei <http://www.yamaha-hifi.com/> oder <http://www.yamaha-uk.com/> für Einwohner Großbritanniens definiert.)
5. Wenn es Unterschiede in den Garantiebedingungen zwischen jenem Land in dem das Produkt gekauft wurde, und jenem in dem das Produkt verwendet wird, finden die Garantiebedingungen jenes Landes Anwendung, in dem das Produkt verwendet wird.
6. Yamaha kann für keinerlei Verluste oder Schäden, ob direkt, in Konsequenz oder anderweitig, verantwortlich gemacht werden, außer bezüglich der Reparatur oder des Ersatzes eines Produkts.
7. Legen Sie bitte Kopien aller persönlichen Einstellungen und Daten an, da Yamaha weder für irgendwelche Änderungen noch für den Verlust solcher Daten verantwortlich gemacht werden kann.
8. Diese Garantie beeinflusst nicht die gesetzlichen Verbraucherrechte unter dem geltenden nationalen Recht oder die Verbraucherrechte gegenüber dem Händler, die durch einen Kaufvertrag entstehen.

Verbraucherinformation zur Sammlung und Entsorgung alter Elektrogeräte



Befindet sich dieses Symbol auf den Produkten, der Verpackung und/oder beiliegenden Unterlagen, so sollten benutzte elektrische Geräte nicht mit dem normalen Haushaltsabfall entsorgt werden.

In Übereinstimmung mit Ihren nationalen Bestimmungen und den Richtlinien 2002/96/EC, bringen Sie alte Geräte bitte zur fachgerechten Entsorgung, Wiederaufbereitung und Wiederverwendung zu den entsprechenden Sammelstellen.

Durch die fachgerechte Entsorgung der Elektrogeräte helfen Sie, wertvolle Ressourcen zu schützen und verhindern mögliche negative Auswirkungen auf die menschliche Gesundheit und die Umwelt, die andernfalls durch unsachgerechte Müllentsorgung auftreten könnten.

Für weitere Informationen zum Sammeln und Wiederaufbereiten alter Elektrogeräte, kontaktieren Sie bitte Ihre örtliche Stadt- oder Gemeindeverwaltung, Ihren Abfallentsorgungsdienst oder die Verkaufsstelle der Artikel.

[Entsorgungsinformation für Länder außerhalb der Europäischen Union]

Dieses Symbol gilt nur innerhalb der Europäischen Union. Wenn Sie solche Artikel ausrangieren möchten, kontaktieren Sie bitte Ihre örtlichen Behörden oder Ihren Händler und fragen Sie nach der sachgerechten Entsorgungsmethode.

PRECAUCIÓN

Antes de utilizar el altavoz lea lo siguiente.

- Lea cuidadosamente este manual para obtener el mejor rendimiento posible. Manténgalo en un lugar seguro para utilizarlo como referencia en el futuro.
- Instale el altavoz en un lugar fresco, seco y limpio, alejado de ventanas, aparatos que produzcan calor, lugares con muchas vibraciones, polvo, humedad o frío. Evite aparatos que causen ruidos de zumbido (transformadores y motores). Para evitar incendios o descargas eléctricas, no exponga el altavoz a la lluvia o al agua.
- Para evitar que el exterior se deforme o se decolore, no instale el altavoz donde quede expuesto a los rayos del sol o a humedad excesiva.
- No colocar los siguientes objetos en el altavoz:
 - Vidrio, porcelana, objetos metálicos pequeños, etc.
Si el vidrio, etc., se cae por la vibración y se rompe, puede provocar heridas.
 - Una vela encendida, etc.
Si la vela se cae por la vibración puede provocar un incendio y heridas.
 - Un recipiente con agua
Si el recipiente se cae por la vibración y el agua se derrama puede provocar daños en el altavoz o recibir una descarga eléctrica.
- No coloque el altavoz en un lugar donde puedan caer objetos extraños como gotas de agua. Podría provocar un incendio, dañar el altavoz o sufrir lesiones personales.
- No instale el altavoz en un lugar donde pueda golpearse y caerse o pueda recibir el impacto de un objeto que caiga encima. Un lugar estable también producirá un mejor sonido.
- Si se instala el altavoz en el mismo estante o mueble que el tocadiscos puede provocar una realimentación del sonido.
- No ponga nunca la mano ni ningún objeto extraño en el puerto situado en la parte trasera del altavoz, ya que podría ocasionar lesiones personales o el altavoz podría resultar dañado.
- Cuando mueva el altavoz, no sujete el puerto, ya que podría causar lesiones personales o el altavoz podría resultar dañado.
- Si nota una distorsión del sonido, baje el control de volumen del amplificador. No permita que su amplificador entre en "corte". Podría dañar el altavoz.
- Cuando utilice un amplificador con una potencia de salida nominal más alta que la potencia de entrada nominal del altavoz, debe tener cuidado para no superar la entrada máxima de los altavoces.
- No limpie el altavoz con disolventes químicos: podría dañar el acabado. Utilice un paño limpio y seco para la limpieza.
- No intente modificar ni arreglar el altavoz. Póngase en contacto con el personal del servicio técnico de YAMAHA cuando necesite sus servicios. En ningún caso debe abrir la caja.
- **La instalación en un lugar seguro es responsabilidad del propietario. YAMAHA no se hace responsable de ningún accidente provocado por una instalación incorrecta del altavoz.**

Información para Usuarios sobre Recolección y Disposición de Equipamiento Viejo



Este símbolo en los productos, embalaje, y/o documentación que se acompañe significa que los productos electrónicos y eléctricos usados no deben ser mezclados con desechos hogareños corrientes.

Para el tratamiento, recuperación y reciclado apropiado de los productos viejos, por favor llévelos a puntos de recolección aplicables, de acuerdo a su legislación nacional y las directivas 2002/96/EC.

Al disponer de estos productos correctamente, ayudará a ahorrar recursos valiosos y a prevenir cualquier potencial efecto negativo sobre la salud humana y el medio ambiente, el cual podría surgir de un inapropiado manejo de los desechos.

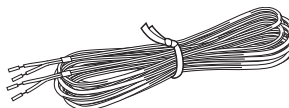
Para mayor información sobre recolección y reciclado de productos viejos, por favor contacte a su municipio local, su servicio de gestión de residuos o el punto de venta en el cual usted adquirió los artículos.

[Información sobre la Disposición en otros países fuera de la Unión Europea]

Este símbolo sólo es válidos en la Unión Europea. Si desea deshacerse de estos artículos, por favor contacte a sus autoridades locales y pregunte por el método correcto de disposición.

ACCESORIOS SUMINISTRADOS

NS-B210

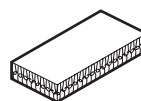


Cable de altavoz (10 m x 1)

NS-C210



Cable de altavoz (4 m x 1)



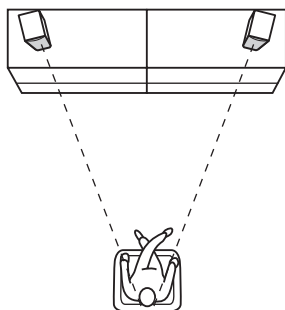
Cierre x 2

SITUACIÓN DE LOS ALTAVOCES

Para NS-B210

Utilización como altavoces estéreo de 2 canales

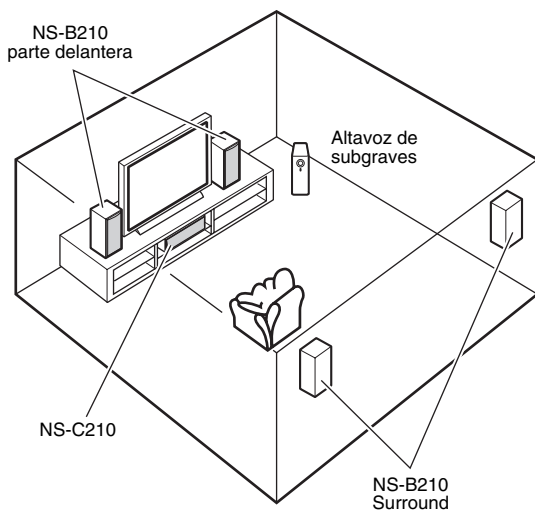
Se obtendrán mejores imágenes estéreo si los altavoces se giran un poco hacia el oyente.



Utilización como altavoces delanteros y surround en un sistema surround

Sitúe los altavoces a ambos lados del televisor. La situación de los altavoces es importante, porque controla toda la calidad del sonido en un sistema surround. Sitúe los altavoces basándose en su posición de audición y siempre según se indica en el manual de instrucciones suministrado con su amplificador.

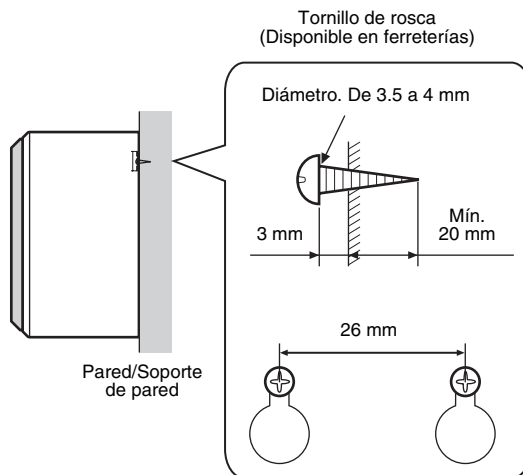
Monte los altavoces en una pared o colóquelos en una estantería. Determine la mejor posición posible según lo descrito en el manual de instrucciones suministrado con el amplificador.



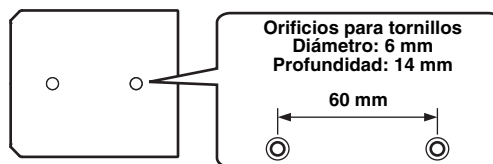
Para montar el altavoz en una pared con el soporte de montaje en pared

Apriete los tornillos en una pared fuerte o en un soporte para pared, tal como se muestra en la ilustración. Seguidamente, cuelgue los orificios del soporte de pared en los tornillos.

* Es importante que los tornillos queden bien fijados en la sección más estrecha de los orificios.



También puede utilizar los orificios para tornillos situados en la parte de abajo del altavoz para instalarlos con soportes comerciales para altavoces (si no desea utilizar el soporte que se suministra).



Nota

Si ubica los altavoces demasiado cerca de un equipo de televisión de tubo catódico, se puede deteriorar el color de la imagen y aparecer interferencias. Si esto sucede, aleje el altavoz del equipo de televisión (más de 20 cm).

En el caso de un televisor PDP o LCD, esta situación no debería producirse.

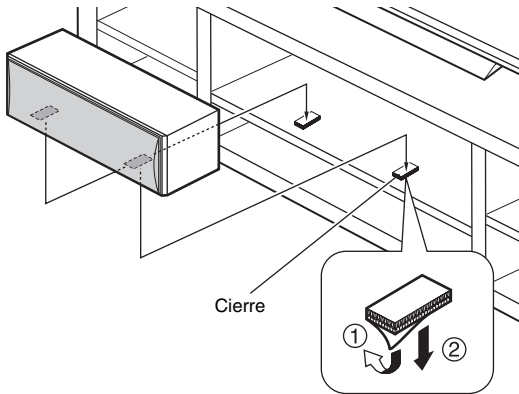
ADVERTENCIA

- El modelo NS-B210 pesa 1.6 kg. No lo monte sobre superficies de contrachapado ni en paredes de materiales blandos. Si lo hace, los tornillos podrían salirse y el altavoz caería al suelo. Esto puede dañar el altavoz o provocar heridas.
- No instale el altavoz en la pared con clavos, adhesivos ni cualquier otro sistema poco estable. El uso a largo plazo y las vibraciones podrían hacer que se caiga.
- Fije los cables de los altavoces al suelo o la pared con fuerza para evitar tropiezos y accidentes.

Para NS-C210

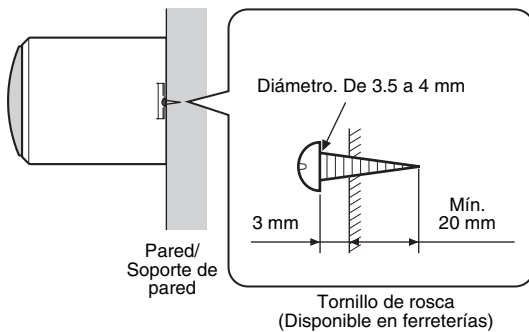
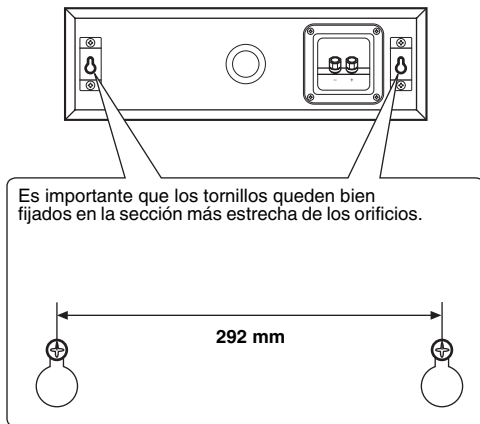
■ Utilización como altavoces centrales

Coloque el altavoz en un estante para televisor o en otra superficie estable. Para impedir que el altavoz se caiga, fije los cierres suministrados en cada una de las esquinas del altavoz.



■ Para montar el altavoz en una pared con el soporte de montaje en pared

Apriete los tornillos en una pared fuerte o en un soporte para pared, tal como se muestra en la ilustración. Seguidamente, cuelgue los orificios del soporte de pared en los tornillos.



Nota

Si ubica los altavoces demasiado cerca de un equipo de televisión de tubo catódico, se puede deteriorar el color de la imagen y aparecer interferencias. Si esto sucede, aleje el altavoz del equipo de televisión (más de 20 cm).

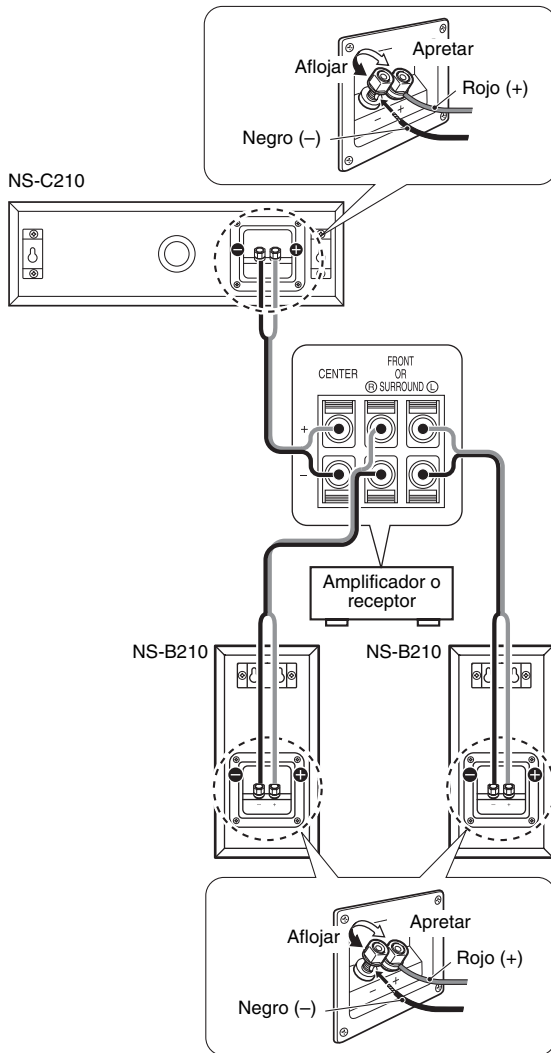
En el caso de un televisor PDP o LCD, esta situación no debería producirse.

ADVERTENCIA

- El modelo NS-C210 pesa 2 kg. No lo monte sobre en superficies de contrachapado ni en paredes de materiales blandos. Si lo hace, los tornillos podrían salirse y el altavoz caería al suelo. Esto puede dañar el altavoz o provocar heridas.
- No toque la superficie adhesiva tras retirar el precinto, ya que perdería capacidad adhesiva.
- Limpie a conciencia la superficie en la que deben fijarse los cierres. Si la superficie está sucia, grasienta o mojada, se perderá capacidad adhesiva y, entonces, el altavoz podría caerse.
- No instale el altavoz en la pared con clavos, adhesivos ni cualquier otro sistema poco estable. El uso a largo plazo y las vibraciones podrían hacer que se caiga.
- Fije los cables de los altavoces al suelo o la pared con fuerza para evitar tropiezos y accidentes.

CONEXIONES CON EL AMPLIFICADOR

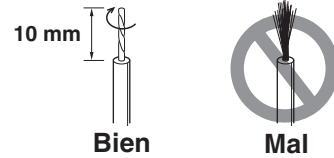
Antes de realizar las conexiones, asegúrese de que el amplificador está apagado.



- Conecte los terminales de entrada tipo tornillo en la parte trasera de los altavoces a los terminales de salida de altavoz del amplificador (o receptor) con el cable de altavoz.
- Conecte los terminales (+) en el amplificador (o receptor) y los terminales (+) de cada altavoz; asegúrese de que los códigos de colores de los cables coinciden. Conecte los terminales (-) en ambos componentes utilizando el otro lado del cable.
- Conecte un altavoz a los terminales izquierdos (marcados con la letra L) de su amplificador, y otro altavoz a los terminales derechos (marcados con la letra R), asegúrese de no invertir las polaridades (+, -). Si un altavoz se conecta con la polaridad invertida, el sonido no será natural y habrá ausencia de bajos.

■ Como conectar

- 1 Afloje el nudo.
- 2 Quite 10 mm de recubrimiento aislante en los extremos de cada cable del altavoz y tuérzalos con firmeza, tal como se indica a continuación.



- 3 Inserte el cable pelado.
- 4 Apriete el nudo y fije los cables. Tire ligeramente de los cables en el terminal para verificar que está firmemente conectado.

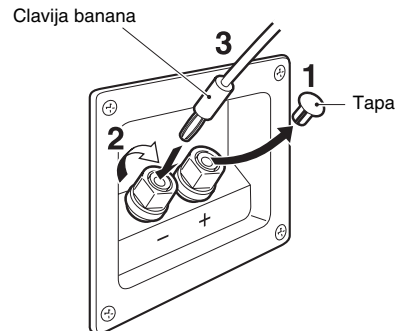
Notas

- No deje que los cables pelados se toquen; si lo hace, podría dañar el altavoz, el amplificador o ambos.
- No introduzca el recubrimiento aislante en el agujero. Puede que no salga el sonido.

■ Si utiliza una clavija banana

Nota

No quite esta cubierta si no va a utilizar una clavija banana.



- 1 Quite la tapa tirando de ella hacia usted.
- 2 Apriete el nudo del terminal.
- 3 Inserte la clavija banana en el terminal.

ESPECIFICACIONES

NS-B210

Tipo.....	Sistema de altavoz de suspensión acústica de gama completa
	Tipo de blindaje no magnético
Controlador	8 cm de gama completa × 2
Impedancia.....	6 Ω
Respuesta de frecuencia.....	75 Hz - 35 kHz (-10 dB) - 50 kHz (-30 dB)
Potencia de entrada nominal	40 W
Potencia máxima de entrada	120 W
Sensibilidad.....	86 dB/2.83 V/m
Dimensiones (An × Al × Pr).....	105 × 215 × 132 mm
Peso.....	1.6 kg

NS-C210

Tipo.....	Sistema de altavoz reflejo de graves de 2 vías
	Tipo de blindaje no magnético
Controlador	Woofers de cono de 8 cm × 2
	Baffle de agudos con bóveda equilibrada de 2.2 cm
Impedancia.....	6 Ω
Respuesta de frecuencia.....	65 Hz - 45 kHz (-10 dB) - 100 kHz (-30 dB)
Potencia de entrada nominal	40 W
Potencia máxima de entrada	120 W
Sensibilidad.....	86 dB/2.83 V/m
Frecuencia de corte.....	8 kHz
Dimensiones (An × Al × Pr).....	340 × 105 × 132 mm
Peso.....	2 kg

- Especificaciones sujetas a cambios sin previo aviso debido a modificaciones del producto.
- Deberá asegurarse de no exceder los valores de potencia indicados anteriormente.

Cuidados del altavoz

Cuando limpie esta unidad, no utilice productos químicos (como alcohol o disolventes): podrían dañar el acabado. Utilice un paño limpio y seco para la limpieza. Para las manchas más difíciles, humedezca un paño suave en detergente diluido con agua, frote la mancha y seque la zona con el paño.

(Para modelos con acabado pulido) No golpee la superficie del instrumento con objetos metálicos, de porcelana ni con objetos duros de cualquier otro tipo, ya que el acabado podría agrietarse o desprenderse. Proceda con cuidado.

Garantía limitada para el Área Económica Europea (AEE) y Suiza

Gracias por haber elegido un producto Yamaha. En el caso poco probable de que su producto Yamaha necesite el servicio que concede la garantía, póngase en contacto por favor con el concesionario a quien adquirió el producto. Si usted tiene alguna dificultad, póngase en contacto por favor con la oficina representativa de Yamaha en su país. Podrá encontrar todos los detalles necesarios en nuestros sitios Web (<http://www.yamaha-hifi.com/> o <http://www.yamaha-uk.com/> para los residentes del Reino Unido).

El producto tiene una garantía de dos años, a partir de la fecha de la compra original, que cubre las reparaciones de las averías que pueda tener debido a defectos en la mano de obra o en los materiales empleados en su fabricación. Yamaha se compromete, sujeto a las condiciones listadas más abajo, a reparar el producto o cualquier pieza (o piezas) que tenga defectos, o a sustituirlo, a discreción de Yamaha, sin cobrar ningún honorario por las piezas o la mano de obra. Yamaha se reserva el derecho de reemplazar un producto por otro de clase y/o precio y condiciones similares, en el caso de que éste no se fabrique más o se considere que las reparaciones resultan poco económicas.

Condiciones de la garantía

1. El producto defectuoso DEBERÁ ir acompañado de la factura o recibo de venta original (que muestre la fecha de la compra, el código del producto y el nombre del concesionario), junto con una explicación que describa detalladamente la avería. Si falta esta prueba clara de la compra, Yamaha se reserva el derecho a no proveer el servicio de reparaciones gratis, y el producto podrá ser devuelto al cliente corriendo éste con todos los gastos relacionados con el envío.
2. El producto DEBERÁ haber sido adquirido en el establecimiento de un concesionario Yamaha AUTORIZADO dentro del Área Económica Europea (AEE) o Suiza.
3. El producto no deberá haber sido sometido a ninguna modificación ni alteración, a menos que ésta haya sido autorizada por escrito por Yamaha.
4. De esta garantía se excluye lo siguiente:
 - a. El mantenimiento periódico y la reparación o sustitución de piezas debidos al desgaste natural.
 - b. Los daños debidos a:
 - (1) Reparaciones realizadas por el propio cliente o por un tercero que no cuente con ninguna autorización.
 - (2) Embalaje inadecuado o maltrato, cuando el producto está siendo transportado desde el lugar de residencia del cliente. Tenga en cuenta que el cliente es el responsable de embalar el producto adecuadamente cuando éste es devuelto para ser reparado.
 - (3) Mal uso, incluyendo, pero sin limitarse a: (a) no usar el producto de forma normal o no seguir las instrucciones de uso, mantenimiento y almacenamiento apropiadas indicadas por Yamaha, y (b) instalación o uso del producto de forma inconsistente con las normas técnicas o de seguridad vigentes en el país donde éste se utiliza.
 - (4) Accidentes, rayos, agua, fuego, ventilación inadecuada, fuga de pilas o cualquier otra causa fuera del control de Yamaha.
 - (5) Defectos del sistema en el que se incorpora este producto e/o incompatibilidad con productos de terceros.
 - (6) Uso de un producto importado en la EEA y/o Suiza, no por Yamaha, donde ese producto no cumple con las normas técnicas o de seguridad del país donde se usa y/o con la especificación estándar de un producto vendido por Yamaha en la EEA y/o en Suiza.
 - (7) Productos que no están relacionados con AV (audiovisual).
(Los productos sujetos a la "Declaración de Garantía de AV de Yamaha" se definen en nuestro sitio Web <http://www.yamaha-hifi.com/> o <http://www.yamaha-uk.com/> para los residentes del Reino Unido.)
5. Cuando las garantías del país donde se compra el producto y del país donde éste se usa son diferentes se aplicará la garantía del país donde se usa el producto.
6. Yamaha no se hará responsable de ninguna pérdida o daño directo, emergente o de cualquier otro tipo; sólo se hará responsable de la reparación o sustitución del producto.
7. Haga una copia de seguridad de cualquier configuración o datos personalizados, ya que Yamaha no se hará responsable de ninguna alteración o pérdida que tal configuración o datos puedan sufrir.
8. Esta garantía no afecta a los derechos legales del consumidor bajo las leyes nacionales aplicables vigentes, ni a los derechos del consumidor contra el concesionario surgidos de su contrato de venta/compra.

МЕРЫ ПРЕДОСТОРОЖНОСТИ

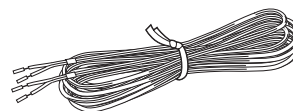
Ознакомьтесь со следующей информацией перед использованием акустической системы.

- Для обеспечения наилучшего результата, пожалуйста, внимательно изучите данную инструкцию. Храните ее в безопасном месте для дальнейшего использования.
 - Устанавливайте акустическую систему в прохладном, сухом, чистом месте, вдали от окон источников тепла, вибрации, пыли, влаги и холода. Избегайте установки рядом с источниками электрических помех (трансформаторы, двигатели). Не подвергайте акустическую систему воздействию дождя или воды для предотвращения возникновения пожара или поражения электрическим током.
 - Для предотвращения деформации или обесцвечивания корпуса акустической системы не размещайте ее в месте воздействия прямого солнечного света или в месте с повышенной влажностью.
 - Не устанавливайте следующие предметы на акустическую систему:
 - стеклянные, фарфоровые изделия, небольшие металлические предметы и т.д.Если стеклянный предмет упадет из-за вибрации и разобьется, это может привести к травме.
 - горящие свечи и т.д.
 - Падение свечи из-за вибрации может привести к возникновению пожара и травме.
 - емкости с водой
 - Падение емкости с водой из-за вибрации и вытекание воды может повредить акустическую систему или привести к поражению электрическим током.
- Не размещайте акустическую систему в местах с инородными материалами, например с каплюющей водой. Это может привести к возникновению пожара, повреждению акустической системы и получению травм.
 - Не размещайте акустическую систему в местах, где она может быть перевернута или ударена падающими предметами. Размещение на устойчивой поверхности также улучшит звучание акустической системы.
 - Размещение акустической системы на одной поверхности с проигрывателем может привести к образованию акустической обратной связи.
 - Никогда не касайтесь и не вставляйте инородные предметы в отверстие в задней части акустической системы, так как это может привести к получению травм или повреждению акустической системы.
 - При перемещении акустической системы не держите ее за отверстие, так как это может привести к получению травм или повреждению акустической системы.
 - В случае появления искажения звука уменьшите уровень громкости на усилителе. Не позволяйте усилителю работать в “зоне среза.” В противном случае возможно повреждение акустической системы.
 - При использовании усилителя с номинальной выходной мощностью, превышающей номинальную входную мощность акустической системы, необходимо соблюдать осторожность, чтобы не превысить максимальную входную мощность акустической системы.

- Не применяйте различные химические составы для очистки акустической системы; это может привести к разрушению отделочного покрытия. Используйте чистую сухую ткань.
- Не пытайтесь модифицировать или ремонтировать акустическую систему. При необходимости проведения обслуживания обратитесь в сервис-центр YAMAHA. Ни в коем случае не следует открывать корпус акустической системы.
- **Владелец акустической системы несет ответственность за ее размещение и надежную установку. YAMAHA не несет ответственность за любые несчастные случаи, вызванные неправильным размещением или установкой акустической системы.**

ПРИЛАГАЕМЫЕ ПРИНАДЛЕЖНОСТИ

NS-B210

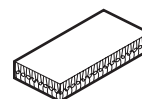


Кабель колонки (10 м × 1)

NS-C210



Кабель колонки (4 м × 1)



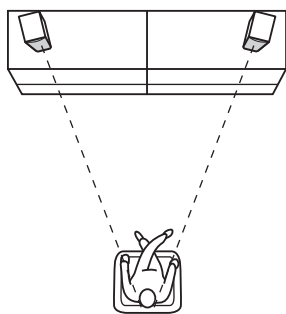
Липучка × 2

РАСПОЛОЖЕНИЕ АКУСТИЧЕСКОЙ СИСТЕМЫ

Для модели NS-B210

■ Использование 2-канальной стереофонической акустической системы

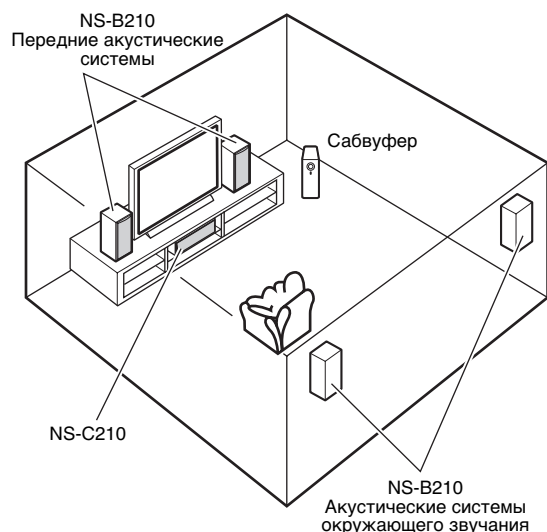
Наилучшего стереофонического эффекта можно добиться, слегка повернув акустические системы по направлению к слушателю.



■ Использование передних акустических систем и акустических систем окружающего звучания в системе окружающего звучания

Расположите акустические системы с обеих сторон от телевизора. Важно правильно расположить акустические системы, так как от этого зависит общее качество звучания системы окружающего звучания. Настройте акустические системы с учетом расположения места прослушивания, следуя инструкциям руководства по эксплуатации используемого усилителя.

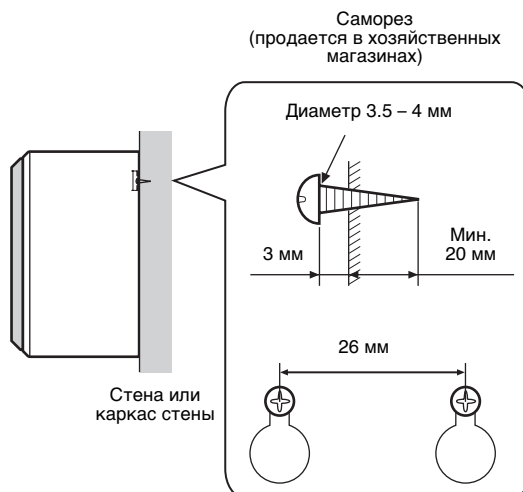
Смонтируйте акустические системы на стене или разместите их на полке. Определите наилучшее положение, следуя инструкциям руководства по эксплуатации используемого усилителя.



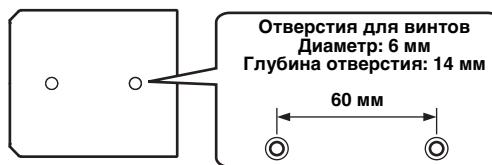
■ Монтаж акустических систем на стене с помощью прилагаемого монтажного кронштейна

Вверните винты в прочную стену или каркас стены, как показано на рисунке, и навесьте монтажный кронштейн, надев отверстия на выступающие винты.

* Убедитесь, что винты зафиксированы в узких частях отверстий.



Отверстия для винтов на нижней части динамика можно также использовать для установки динамиков с помощью имеющихся в продаже кронштейнов (если установленный кронштейн не используется).



Примечание

Слишком близкое расположение акустических систем к телевизору с электронно-лучевой трубкой может ухудшить цвет изображения или привести к появлению гудения. В этом случае отодвиньте (более чем на 20 см) акустическую систему от телевизора. Этот эффект не возникает при использовании плазменного или жидкокристаллического телевизора.

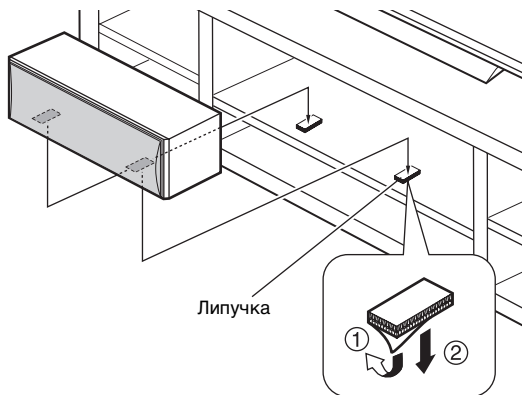
ВНИМАНИЕ

- Вес NS-B210 1.6 кг. Не монтируйте их на тонкую фанеру или на поверхность стены из мягких отделочных материалов. В противном случае винты могут выскочить, а акустическая система упасть. Это может привести к повреждению акустической системы или травме.
- Не монтируйте акустическую систему на стену с помощью гвоздей, клея или других непрочных крепежных материалов. Долговременное использование и вибрации могут привести к ее падению.
- Во избежание спотыкания о кабели акустических систем надежно прикрепите кабели к полу или стене.

Для модели NS-C210

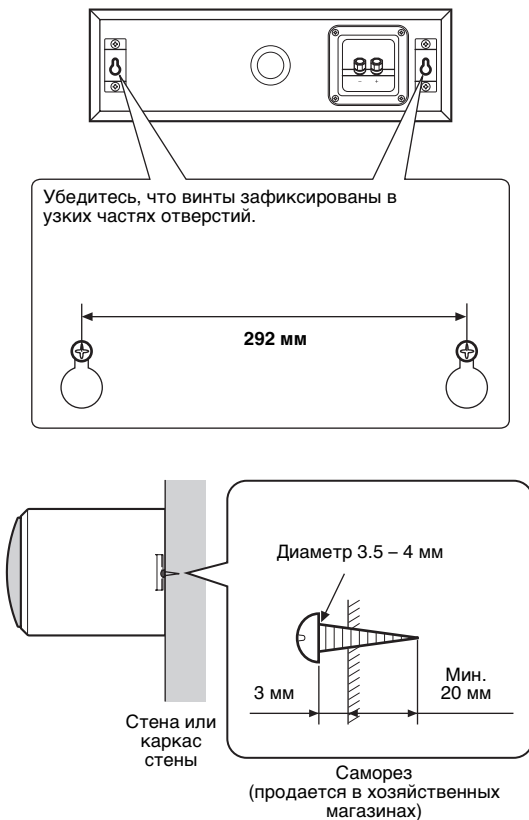
■ Использование центральной акустической системы

Разместите акустическую систему на подставке для телевизора или другой устойчивой поверхности. Чтобы предотвратить падение акустической системы, прикрепите прилагаемые липучки по всем углам нижней поверхности.



■ Монтаж акустических систем на стене с помощью прилагаемого монтажного кронштейна

Вверните винты в прочную стену или каркас стены, как показано на рисунке, и навесьте монтажный кронштейн, надев отверстия на выступающие винты.



Примечание

Слишком близкое расположение акустических систем к телевизору с электронно-лучевой трубкой может ухудшить цвет изображения или привести к появлению гудения. В этом случае отодвиньте (более чем на 20 см) акустическую систему от телевизора.

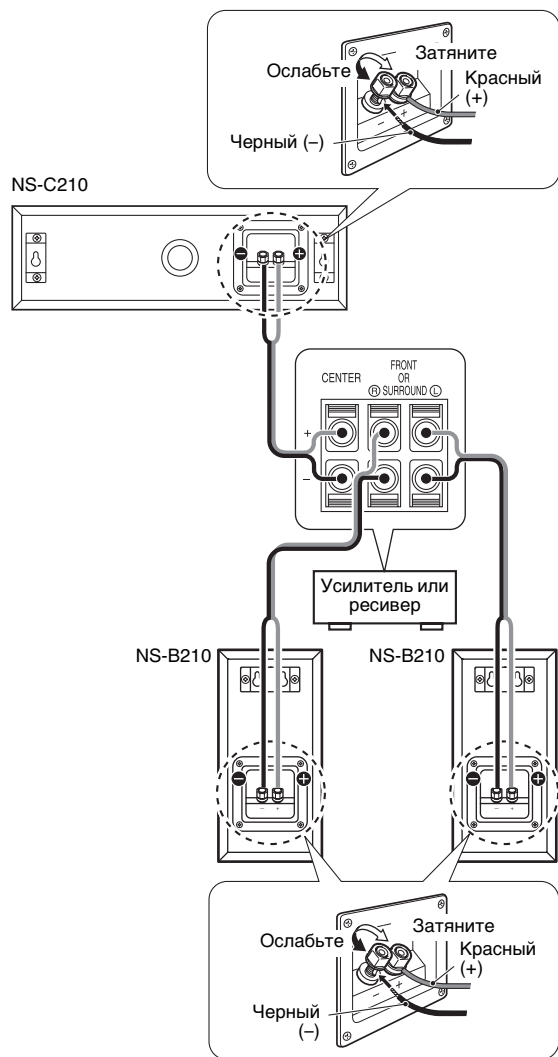
Этот эффект не возникает при использовании плазменного или жидкокристаллического телевизора.

ВНИМАНИЕ

- Вес NS-C210 2 кг. Не монтируйте их на тонкую фанеру или на поверхность стены из мягких отделочных материалов. В противном случае винты могут выскочить, а акустическая система упасть. Это может привести к повреждению акустической системы или травме.
- Не прикасайтесь к клейкой поверхности после отклеивания подложки, так как это снизит прочность прилипания.
- Тщательно протрите поверхность крепления липучек. Обратите внимание, что прочность прилипания снижается, если поверхность грязная, жирная или влажная, что может привести к падению центральной акустической системы.
- Не монтируйте акустическую систему на стену с помощью гвоздей, клея или других непрочных крепежных материалов. Долговременное использование и вибрации могут привести к ее падению.
- Во избежание спотыкания о кабели акустических систем надежно прикрепите кабели к полу или стене.

ПОДКЛЮЧЕНИЕ К УСИЛИТЕЛЮ

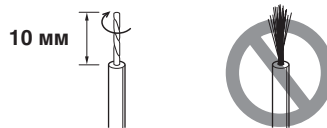
Перед выполнением соединений обязательно отключите усилитель.



- Подключите заворачиваемые входные клеммы на задней части акустической системы к выходным клеммам на усилителе (или ресивере) с помощью акустического кабеля.
- Подключите положительные (+) клеммы усилителя (или ресивера) к положительной (+) клемме каждой акустической системы, соблюдая цветовую маркировку с обеих сторон кабеля. Соедините отрицательные (-) клеммы компонентов с помощью другого кабеля.
- Подключите одну акустическую систему к левым (с отметкой L), а другую акустическую систему – к правым (с отметкой R) клеммам усилителя, соблюдая полярность (+, -). Если одна акустическая система будет подключена с обратной полярностью, звук будет неестественным с пониженным уровнем нижних частот.

■ Способ подключения

- 1 Ослабьте ручку.
- 2 Снимите около 10 мм изоляции с каждого конца кабеля, затем аккуратно и плотно скрутите оголенные концы кабеля, как показано на рисунке.



Правильно Неправильно

- 3 Вставьте оголенные концы кабеля в клеммы.
- 4 Закрепите кабели, завернув ручки. Проверьте надежность соединения, слегка потянув за кабель в области клеммы.

Примечания

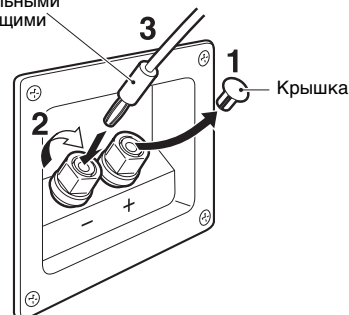
- Избегайте соприкосновения оголенных частей кабеля для предотвращения повреждения акустической системы и (или) усилителя.
- Не вставляйте в клеммы изолированные кабели. При этом звук может не воспроизводиться.

■ Использование штекера с продольными подпружинивающими контактами

Примечание

Снимайте крышку только перед использованием штекера.

Штекер с продольными подпружинивающими контактами



- 1 Снимите крышку, потянув ее на себя.
- 2 Затяните ручку клеммы.
- 3 Просто вставьте штекер с продольными подпружинивающими контактами в клемму.

ТЕХНИЧЕСКИЕ ХАРАКТЕРИСТИКИ

NS-B210

Тип полнодиапазонная акустическая система
закрытого типа
Немагнитный тип защиты
Динамик 8 см, полнодиапазонный × 2
Импеданс 6 Ω
Частотная характеристика 75 Гц – 35 кГц (-10 дБ)
– 50 кГц (-30 дБ)
Номинальная входная мощность 40 Вт
Максимальная входная мощность 120 Вт
Чувствительность 86 дБ/2.83 В/м
Размеры (Ш × В × Г) 105 × 215 × 132 мм
Вес 1.6 кг

NS-C210

Тип 2-полосная басоотражающая акустическая
система
Немагнитный тип защиты
Динамик 8 см, конического типа, низкочастотный × 2
симметричный высокочастотный динамик с куполом
диаметром 2.2 см
Импеданс 6 Ω
Частотная характеристика 65 Гц – 45 кГц (-10 дБ)
– 100 кГц (-30 дБ)
Номинальная входная мощность 40 Вт
Максимальная входная мощность 120 Вт
Чувствительность 86 дБ/2.83 В/м
Частота разделения каналов 8 кГц
Размеры (Ш × В × Г) 340 × 105 × 132 мм
Вес 2 кг

- Технические характеристики могут изменяться без предварительного уведомления из-за совершенствования продукта.
- Не превышайте указанных выше значений входной мощности.

Уход за акустической системой

Не применяйте химические составы для очистки акустической системы (например, спирт, растворители и т.д.): это может повредить отделочное покрытие. Используйте чистую сухую ткань. Для устранения сложных загрязнений смочите мягкую ткань водой, отожмите ее и протрите место загрязнения.

(Для модели с полировкой) Удары металлическими, фарфоровыми или другими жесткими предметами могут вызвать трещины или шелушение полировки цифрового пианино. Меры безопасности при эксплуатации.

Информация для пользователей по сбору и утилизации старой аппаратуры



Этот знак на аппаратуре, упаковках и в сопроводительных документах указывают на то, что подержанные электрические и электронные приборы не должны выбрасываться вместе с обычным домашним мусором.

Для правильной обработки, хранения и утилизации старой аппаратуры, пожалуйста сдавайте их в соответствующие сборные пункты, согласно вашему национальному законодательству и директив 2002/96/ЕС.

При правильном отделении этих товаров, вы помогаете сохранять ценные ресурсы и предотвращать вредное влияние на здоровье людей и окружающую среду, которое может возникнуть из-за несоответствующего обращения с отходами.

За более подробной информацией о сборе и утилизации старых товаров пожалуйста обращайтесь в вашу локальную администрацию, в ваш приёмный пункт или в магазин где вы приобрели эти товары.

[Информация по утилизации в других странах за пределами Европейского Союза]

Этот знак действителен только на территории Европейского Союза. Если вы хотите избавиться от этих предметов, пожалуйста обратитесь в вашу локальную администрацию или продавцу и спросите о правильном способе утилизации.

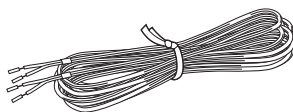
注意事项

使用本扬声器前敬请阅读。

- 为了确保获得最佳性能，请仔细阅读本使用说明书，并妥善保管，以备将来参考。
- 请在凉爽、干燥、清洁的地方安装本扬声器。应远离窗口、热源，避免在振动过大、灰尘过多、湿气过重和温度过低的地方使用。应远离电子干扰源（变压器及马达）。为了避免火灾或电击的危险，请勿将本装置暴露于雨水或湿气中。
- 为防止扬声器箱变形或变色，请勿将扬声器放置于受阳光直接照射或特别潮湿的地方。
- 扬声器上禁止放置下列物品：
玻璃、瓷器、小金属物等。
如果玻璃等因振动而掉落并打碎，有可能造成人员受伤。
燃烧的蜡烛等。
如果蜡烛因振动而掉落，有可能引起火灾和人员受伤。
- 装有水的容器
如果容器因振动而掉落或者水溢出，有可能使扬声器受损，和 / 或引起触电。
- 请勿将扬声器放置在有异物的地方，例如水滴落下的地方。否则可能导致火灾、装置损坏和 / 或人员受伤。
- 请勿将扬声器放置在易受到掉落物体碰撞或撞击的地方。稳定放置也将确保更佳音质。
- 将扬声器放在同一支架或架子上如同转台车，会导致声音反馈。
- 切勿将手或异物放进扬声器背面的开孔中，否则可能使人员受伤和 / 或损坏扬声器。
- 当移动扬声器时，切勿握住开孔，否则可能使人员受伤和 / 或损坏扬声器。
- 一旦发觉失真，请减小放大器音量。切勿使放大器出现“限幅”现象。否则可能损坏扬声器。
- 如果使用放大器时额定输出功率高于扬声器的标称输入功率，请小心不要超过扬声器的最大输入功率。
- 请勿使用化学溶剂清洁扬声器，否则可能损坏涂层。请使用清洁的干布。
- 请勿试图改装或修理扬声器。需要任何服务时，请联系有资质的 YAMAHA 服务人员。无论如何都不能打开箱体。
- 安全放置和安装由用户自行负责。若扬声器因放置或安装不当而造成事故，YAMAHA 公司概不负责。

提供附件

NS-B210

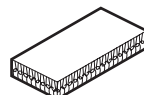


扬声器电缆 (10 m × 1)

NS-C210



扬声器电缆 (4 m × 1)



固定片 × 2



该标记附加在出售到中华人民共和国的电子信息技术产品上。
环形中的数字表示的是环境保护使用期限的年数。

○：表示该有毒有害物质在该部件所有均质材料中的含量均在 SJ/T 11363-2006 标准规定的限量要求以下。

×：表示该有毒有害物质至少在该部件的某一均质材料中的含量超出 SJ/T 11363-2006 标准规定的限量要求。

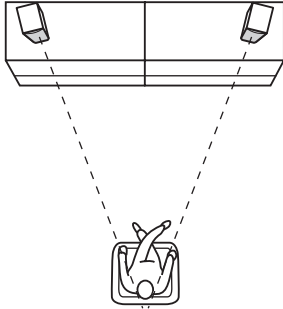
部件名称	有毒有害物质或元素					
	铅 (Pb)	汞 (Hg)	镉 (Cd)	六价铬 (Cr(VI))	多溴联苯 (PBB)	多溴二苯醚 (PBDE)
外壳箱体	×	○	○	○	○	○
扬声器单元	×	○	○	○	○	○

放置扬声器

适用于 NS-B210

■用作 2 声道立体声扬声器

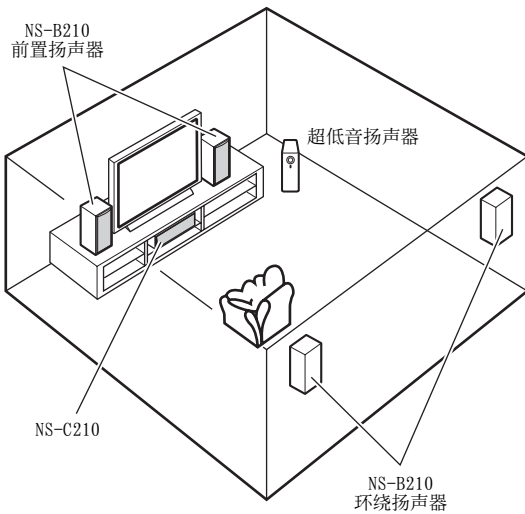
当扬声器略微成一定角度对着听众时，将获得较佳的立体声效果。



■用作环绕系统中的前置扬声器和环绕扬声器

将扬声器放置在电视机的两侧。扬声器的位置很重要，因为它决定着环绕系统的整体音质。按照放大器的使用说明书，根据聆听位置来放置扬声器。

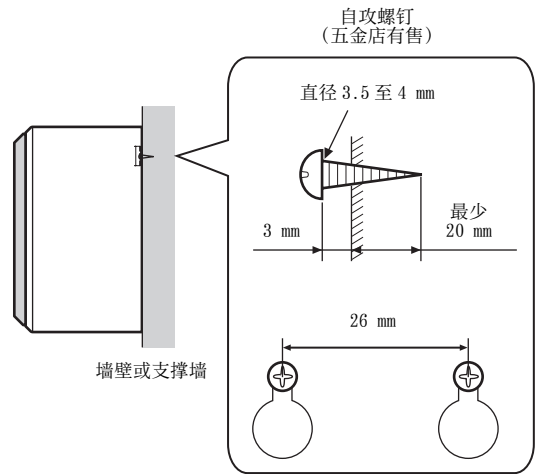
并且将扬声器安装在墙上或将扬声器放置在支架上。按照放大器的使用说明书来决定最佳位置。



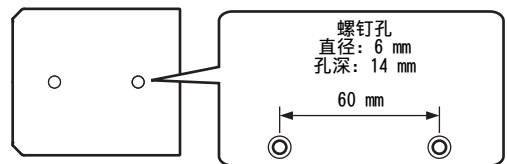
■使用已安装的安装支架将扬声器安装在墙上

如图所示，将螺钉拧入坚固的墙壁或支撑墙，然后将安装支架的孔悬挂在突出的螺钉上。

* 确保螺钉固定在孔的狭窄部分。



您也可以使用扬声器底部的螺钉孔，用市场上购买的扬声器支架（如果不使用附带的安装支架）安装扬声器。



注意

将本装置靠近 CRT 电视机放置可能会影响图像色彩或产生嗡嗡声。如果发生这种情况，请将扬声器与电视机保持距离放置（大于 20 cm）。

当使用 PDP 或 LCD 电视机时，不会发生这种情况。

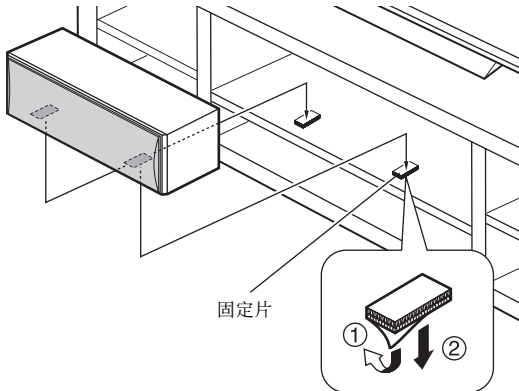
警告

- NS-B210重1.6 kg。切勿将扬声器安装在薄的夹板上或具有柔软表面材料的墙壁上。如果已安装，螺钉可能松脱并且扬声器可能掉落。这可能损坏扬声器，或者造成人员受伤。
- 切勿将扬声器安装在具有钉子、粘性物质或任何其它不牢固金属部件的墙上。长时间使用及振动可能使其掉落。
- 为了避免绊到松散的扬声器电缆而发生意外伤害，请将电缆牢牢固定在地板上或墙上。

适用于 NS-C210

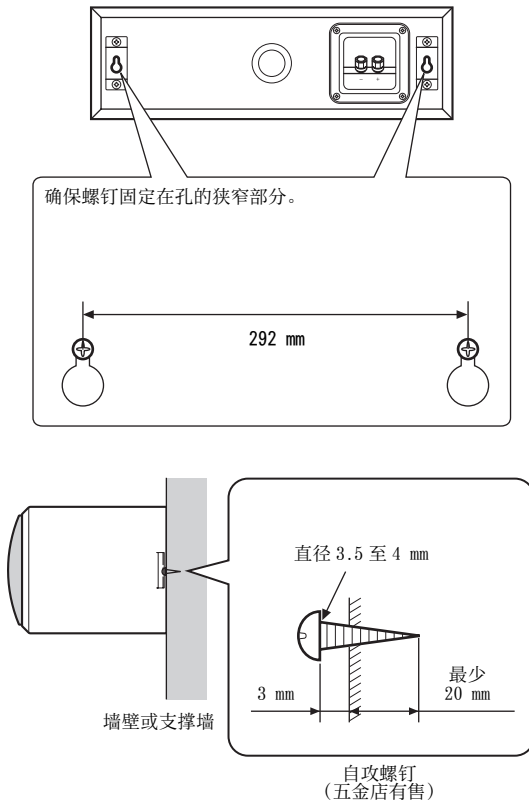
■用作中置扬声器

将扬声器放置于电视机柜或其它平稳表面上。为防止扬声器倾倒，请将提供的固定片粘贴在扬声器底面的各角上。



■使用已安装的安装支架将扬声器安装在墙上

如图所示，将螺钉拧入坚固的墙壁或支撑墙，然后将安装支架的孔悬挂在突出的螺钉上。



注意

将本装置靠近 CRT 电视机放置可能会影响图像色彩或产生嗡嗡声。如果发生这种情况，请将扬声器与电视机保持距离放置（大于 20 cm）。

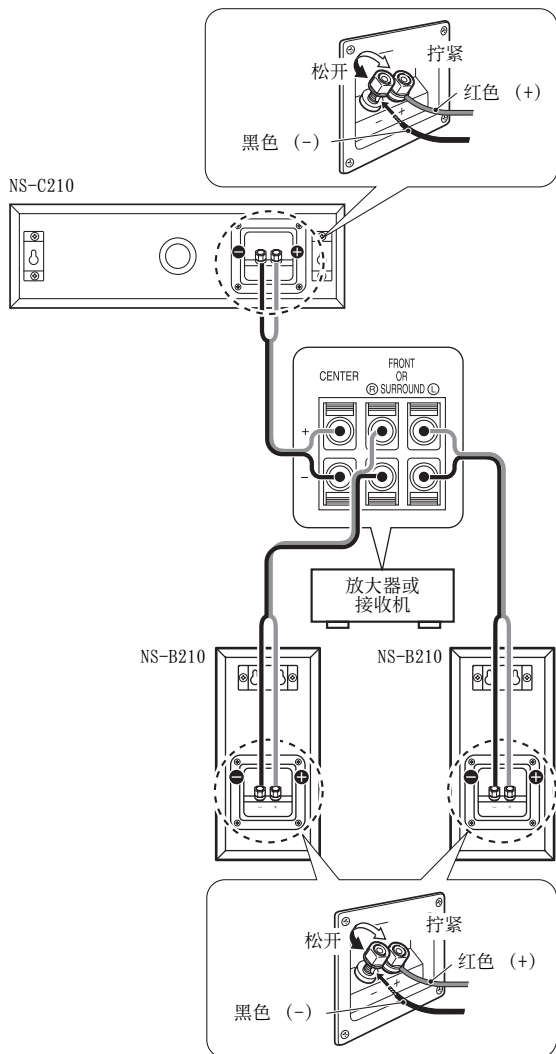
当使用 PDP 或 LCD 电视机时，不会发生这种情况。

警告

- NS-C210重2 kg。切勿将扬声器安装在薄的夹板上或具有柔软表面材料的墙壁上。如果已安装，螺钉可能松脱并且扬声器可能掉落。这可能损坏扬声器，或者造成人员受伤。
- 请勿在撕去封带后触摸粘贴表面，否则会降低粘合力。
- 请彻底擦干净要粘贴固定片的表面。请注意，如果表面脏污、油腻或潮湿，则粘合力会降低，从而可能会造成中置扬声器跌落。
- 切勿将扬声器安装在具有钉子、粘性物质或任何其它不牢固金属部件的墙上。长时间使用及振动可能使其掉落。
- 为了避免绊到松散的扬声器电缆而发生危险，请将电缆牢牢固定在地板上或墙上。

连接到放大器

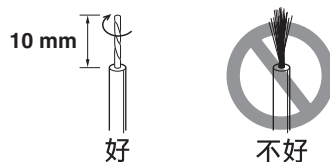
进行连接前必须关闭放大器。



- 用扬声器电缆将扬声器背面的螺钉型输入端子连接到放大器（或接收机）的扬声器输出端子。
- 将放大器（或接收机）的（+）极端子连接到每个扬声器的（+）极端子，务必确认每根电缆末端的色标线。使用电缆的另一根线连接装置的（-）极端子。
- 将一个扬声器连接到放大器的左（标有 L）端子，将另一个扬声器连接到右（标有 R）端子，切勿颠倒极性（+，-）。如果极性颠倒连接了扬声器，则声音将不自然并缺少低音。

■如何连接

- 1 松开旋钮。
- 2 如下所示，剥去每根电缆末端 10 mm 的绝缘层，然后将露出的导线整齐并紧紧地拧在一起。



- 3 插入裸线。
- 4 拧紧旋钮并紧固电缆。
轻拉端子上的电缆，检查连接是否牢固。

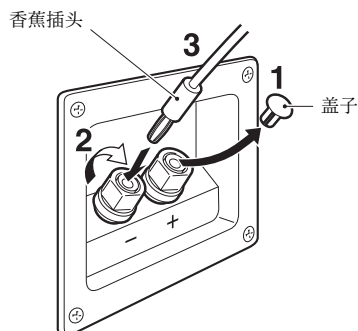
注意

- 请勿使裸露的扬声器电线互相接触，否则可能损坏扬声器或放大器，或同时损坏两者。
- 请勿将绝缘部分插入孔中。否则可能没有声音。

■使用香蕉插头时

注意

除非使用香蕉插头，否则请勿拔出此盖子。



- 1 朝身体方向拉盖子将其拔出。
- 2 拧紧端子旋钮。
- 3 只需将香蕉插头插入端子。

规格

NS-B210

类型	全频声学悬挂式扬声器系统 非磁屏蔽型
驱动单元	8 cm 全频 × 2
阻抗	6 Ω
频率响应	75 Hz 至 35 kHz (-10 dB) 至 50 kHz (-30 dB)
标称输入功率	40 W
最大输入功率	120 W
灵敏度	86 dB/2.83 V/m
尺寸 (宽×高×深)	105 × 215 × 132 mm
重量	1.6 kg

NS-C210

类型	2 路低音反射扬声器系统 非磁屏蔽型
驱动单元	8 cm 锥形低音扬声器 × 2 2.2 cm 平衡球顶形高频扬声器
阻抗	6 Ω
频率响应	65 Hz 至 45 kHz (-10 dB) 至 100 kHz (-30 dB)
标称输入功率	40 W
最大输入功率	120 W
灵敏度	86 dB/2.83 V/m
分频频率	8 kHz
尺寸 (宽×高×深)	340 × 105 × 132 mm
重量	2 kg

- 由于产品改进, 若有规格变更恕不另行通知。
- 请小心不要超过上述注明的输入功率值。

爱护扬声器

擦拭本装置时, 请勿使用化学溶剂 (例如酒精或稀释剂等): 可能损坏涂层。请使用清洁的干布。对于难以清除的污点, 用水蘸湿软布, 拧干后进行擦拭。

(对于表面抛光的型号) 用金属、瓷器或其他硬物撞击设备的表面会导致涂层裂开或剥落。请小心使用。

